

TELEPHONES No.746F & No.746R  
TABLE TELEPHONE:—TELEPHONE No.746F WITH PROVISION FOR ONE OR TWO PRESS-BUTTONS  
FOR USE ON AUTO SYSTEMS  
TELEPHONE No.746R IS FOR USE ON PBX'S WITH RECALL ONLY. NOTE A.

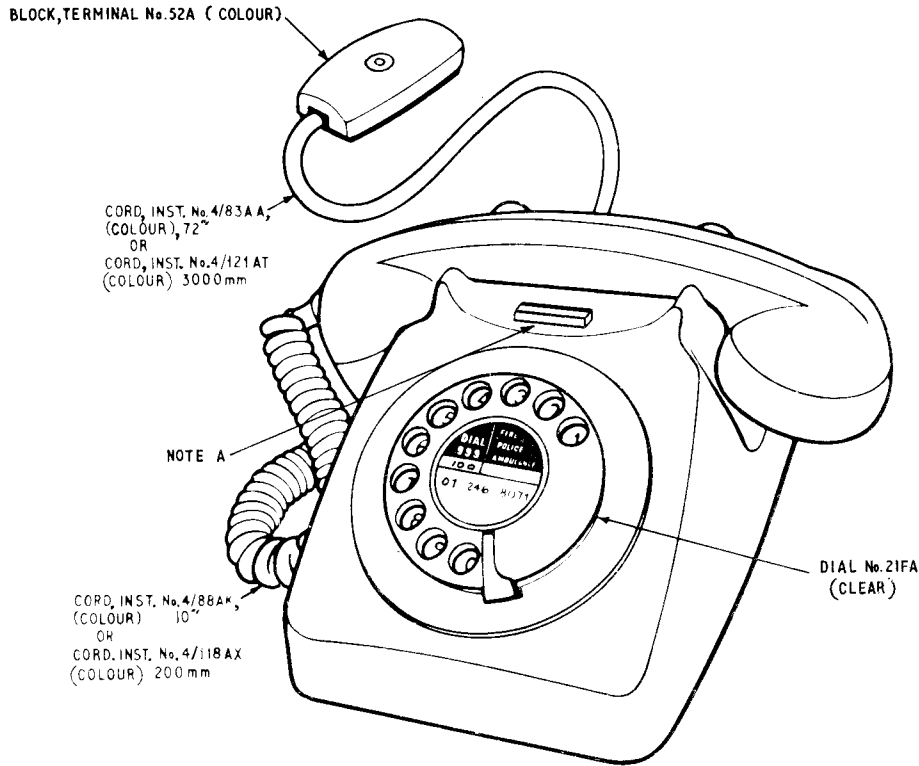
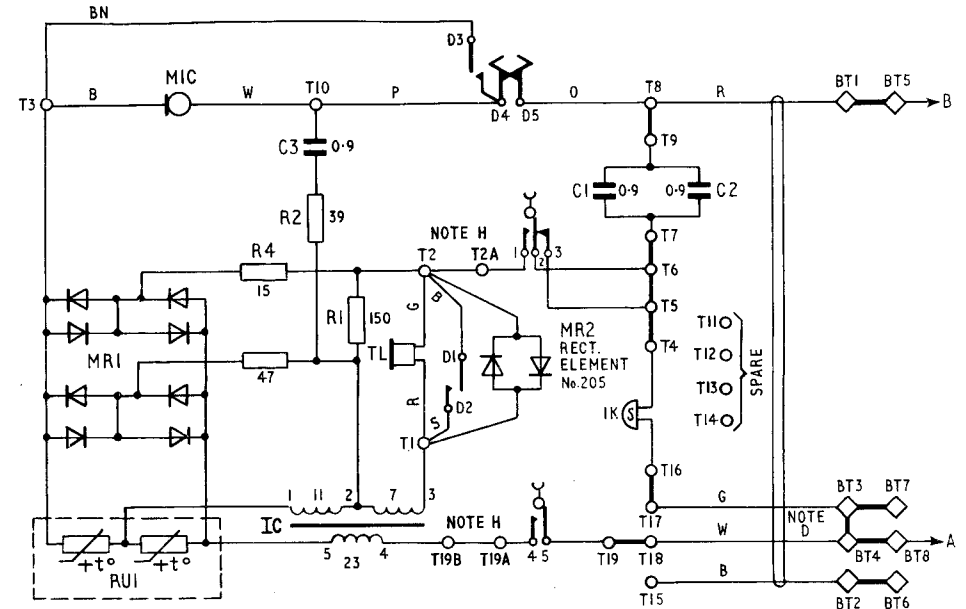


FIG.1 TELEPHONE No.746F CIRCUIT DIAGRAM SHOWING CONNEXIONS AS ISSUED



NOTES:—

- A Telephone No.746R is supplied complete with a button engraved 'Recall' and a Switch No.5A-4. See Fig.3 for connexions as issued.
- B Telephone No.746F may be used in place of Telephone No.706 in all auto extension plans. The Telephone No.746F may also replace the Telephone No.710 when two buttons are needed and the latching facility of the Telephone No.710 is not required.
- C See Diagrams N848 and N4700 for the parts that can be added to the Telephone No.746.
- D When an extension bell is required, remove Strap BT3-BT4 and connect the bell to BT7-BT8. A Switch No.5A-3 with Button 3/DBU/264 may be connected blue to T17, slate and brown to T18 to control the extension bell. Where this arrangement is unsuitable a Switch No.2A may be fitted in a suitable position and wired to short circuit the extension bell.
- E The leads of auxiliary units should be terminated as shown on the appropriate diagram. Any spare lead should be secured to a spare terminal. Where this is not possible, the leads should be insulated from electrical contact with parts of the telephone and from each other. Where additional terminals are required, fit:—
  - 1 off Part 2/DST/836 For Terminals T20—T25
  - 2 off Part 2/DST/836 For Terminals T20—T31
  - 1 off Strip Conn.No.155A For Terminals T20—T37
- F With the exception of the handset, dial and bell, all components are mounted on a printed wiring board. The complete unit is available for maintenance replacement as a Telephone Unit D92732.
- G C1 and C2 may consist of two 0.9µF capacitors as shown, or a single 1.8µF capacitor.
- H Terminals T2A, T19A and T19B may be provided but are not used. (The Terminals are used in "746 style" push button telephones).

CONTENTS

Telephone No.746F circuit diagram showing connexions as issued. . . . .	Fig.1
Telephone No.746F shared service lines. . . . .	Fig.2
Telephone No.746 2-Wire PBX extensions with recall. . . . .	Fig.3
Telephone No.746 PMBX with additional signalling C-Wire . . . . .	Fig.4

OTHER REFERENCES

Telecommunications Instructions . . . . .	{ C3B1020 (Telephone No.746) C3B1035 (Telephone No.746R) E5B2746 (Maintenance)
Auxiliary Units . . . . .	{ Dgm.N848 Dgm.N4700
Press-Buttons. . . . .	{ Dgm.N849

BRITISH TELECOMMS HQRS			
PAPER 1-W	ISSUE		
DISTN:—			
GENERAL			
	C	TELEPHONE No.746F ADDED. NOTES AMENDED.	PD 1-1-3 30-7-82
	B	MR2 ADDED MINOR CHANGES. TELEPHONE No.746R ADDED	11-9-74
	A	SWITCH 5A-4 WITH PARTS WAS SWITCH 5A-9	10-2-69
		E.H.S	TD 2 3 1 SECTION 5-5-67

FIG.2 AUTOMATIC SYSTEMS  
SHARED SERVICE LINES  
(NOTE E)

- USING:—  
Telephone No.746F  
Switch No.5A-4 (SA)  
Part 1/DBU/362  
Part 1/DPL/1022  
2 Parts 1/DPI/203  
Thermistor No.1A-1 (RY1)  
Valve, Electronic CV8790, 7875, or 8805  
(Note B)
- NOTES:—  
A Remove Straps T5-T6, T16-T17,  
T18-T19 and move strap in BT.  
B In UAX areas with vibrator ringing  
provide and fit Valve, Electronic CV...  
C Exchange Line Connexions  
'A' wire to BT8 } Station X  
'B' wire to BT5 }  
'A' wire to BT5 } Station Y  
'B' wire to BT8 }  
D When extension bell is required, remove  
Strap BT2-BT3 and connect bell to  
BT6-BT7  
E Telephone No.746R should not be used  
for shared service.

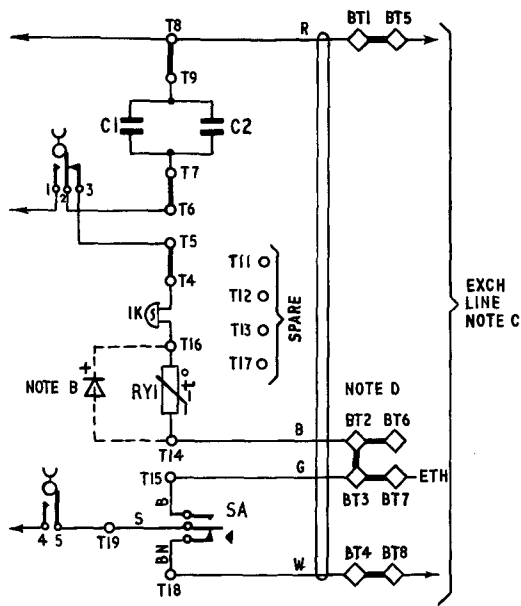


FIG.3 2-WIRE PBX EXTENSIONS WITH RECALL  
TELEPHONE No.746R CONNEXIONS AS ISSUED

- USING:—  
Telephone No.746R  
or  
Telephone No.746F  
Switch No.5A-4 (SA)  
Part 1/DBU/362  
Part 1/DPL/1022  
2 Parts 1/DPI/203
- NOTE A
- A Use Telephone No.746R if available in  
the required colour, alternatively use  
Telephone No.746F and fit the parts  
listed.  
B When extension bell is required, remove  
Strap BT3-BT4 and connect bell to  
BT7-BT8

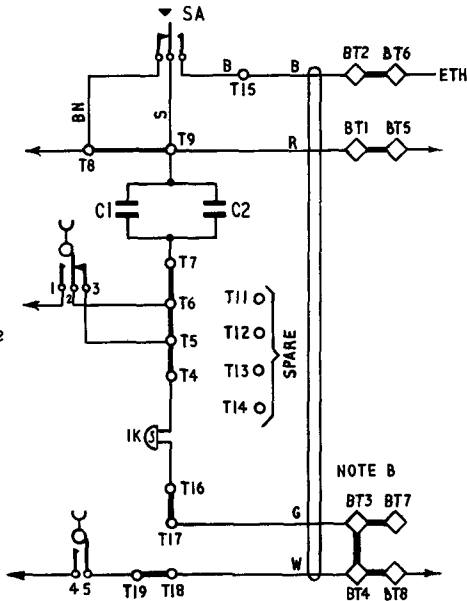
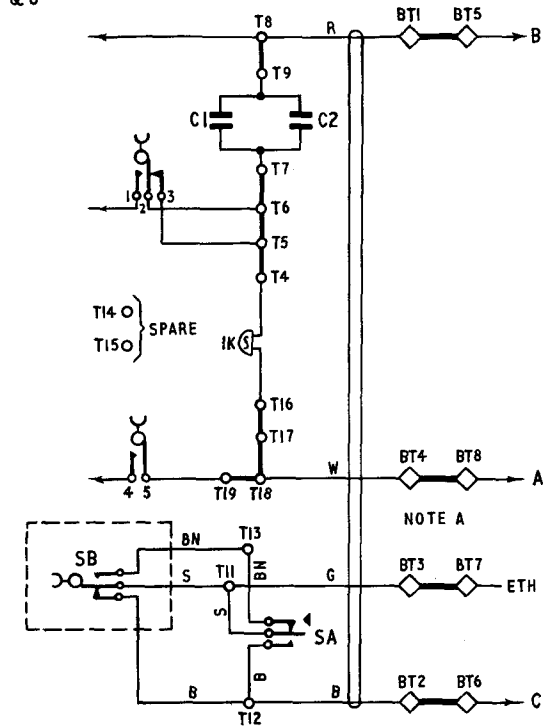


FIG.4 PMBX WITH ADDITIONAL SIGNALLING C-WIRE (PMBX 2/...and 3/... NOTE C)

- USING:—  
Telephone No.746R  
Switch No.36A-1 (SB) } NOTES A, B & C  
or  
Telephone No.746F  
Switch No.5A-4 (SA) } NOTE A  
Part 1/DBU/362  
Part 1/DBU/1022  
2 Parts 1/DPI/203  
Switch No.36A-1 (SB)

- NOTES:—  
A Remove Strap BT3-BT4  
and add Strap T17-T18  
B The Switch No.5A-4 in a  
Telephone No.746R must be  
rearranged to accord with the  
diagram  
C For 2-Wire extensions  
using UAA No.96 or 96A  
wire the telephone to  
Fig.3, or use Telephone  
No.746R as issued



REMEMBER

The Telephone No.746F can accept 2 press-buttons (see Dgm N849). This makes it suitable for Plan IA on shared service, etc.

OLD SYMBOL	NEW SYMBOL BS3939

WHAT IS A FORM A646?

It's the form you should use to advise Headquarters of any apparatus that is defective or causes difficulties in the field.

\* Keep a few with you—and use them.

TI's CIA 0050 and EIA 0091 refer.