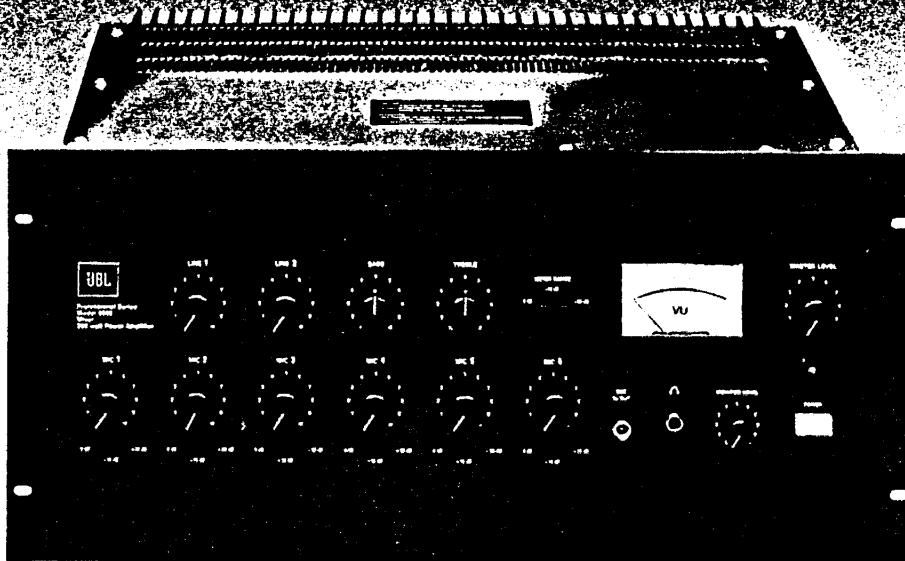


Professional Series

Model 6502

Mixer/Amplifier

200 Watts (100 W per channel)
8 Inputs (6 Microphone, 2 Line Level)
Separate Headphone Monitor
Bass and Treble Tone Controls
Cue Switch



The JBL 6502 combines an eight-input (six microphone and two line level) mixer with a high power, single-channel amplifier. Simpler to install than a rack-assembled system, the JBL 6502 is ideal for sound systems for auditoriums, gymnasiums, churches, and meeting halls.

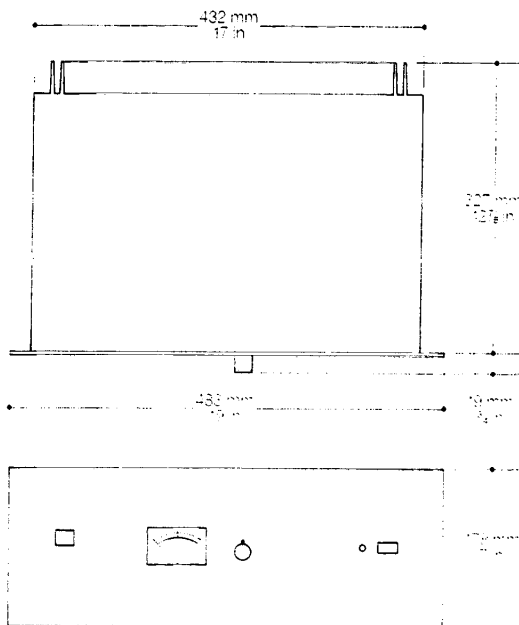
Each of the six microphone inputs accepts an unbalanced, high-impedance signal. An optional, plug-in transformer will convert an input to balanced low impedance. The line inputs are unbalanced, high impedance, and may be converted to balanced low impedance with accessory plug-in transformers. One of the microphone inputs may be internally switched to RIAA phono characteristics, and a pair of RCA-type jacks on the rear panel permits a stereo source to be fed to this input.

Each input has its own level control, and the 6502 also has a master level control and a separate level control for the headphone monitor output. Bass and treble tone controls allow equalization of the program source, and a mixer output ahead of the power amplifier permits connection of an accessory equalizer if desired. The 6502 also has a cue switch that disconnects the mixer output from the amplifier. A meter with switchable range allows visual monitoring.

The power amplifier produces 200 W from 20 Hz to 20 kHz with less than 0.2% THD. An accessory output transformer allows full-power operation into 8 or 16 Ω loads, or into a 70.7 V line.

Consumer Warranty

JBL offers a limited warranty to retail purchasers. The warranty statement is packed with the product.



Specifications

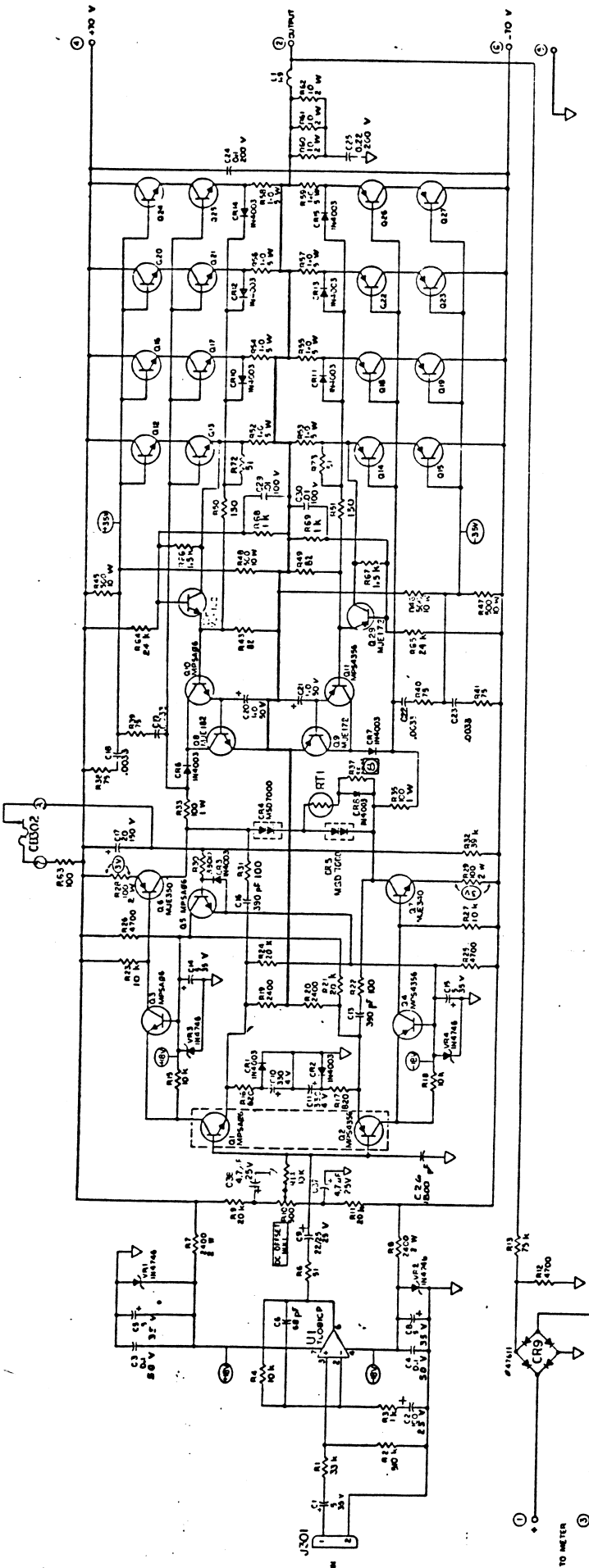
Power Output, Continuous Sine Wave	
Direct output, 4- Ω load	200 W
Transformer output (6021 only)	200 W
Power Bandwidth	
Direct output	
200 W	20 Hz - 20 kHz, less than 0.2% total harmonic distortion
150 W	10 Hz - 40 kHz, less than 0.5% total harmonic distortion
Transformer output, 200 W (6021 only)	35 Hz - 15 kHz, less than 0.2% total harmonic distortion
Total Harmonic Distortion, 200 W	
Direct output	Less than 0.2%, 20 Hz - 20 kHz
Transformer output (6021 only)	Less than 0.2%, 35 Hz - 15 kHz
Intermodulation Distortion	
SMPTE Standard	
200 W	Less than 0.2%
10 W	Less than 0.1%
0.15 W	Less than 0.1%
Frequency Response, 1 W	
Load Impedance	
Direct output	4 Ω
Transformer output (6021 only)	8, 16, or 25 Ω
Load Voltage, 200 W	
Direct output	28.3 V
Transformer output (6021 only)	
8- Ω tap	40.4 V
16- Ω tap	56.6 V
70.7-V tap	70.7 V
Output Regulation	
Power Gain	
72 dB	
Maximum Input Sensitivity	
Unbalanced high impedance (33 k Ω)	
	0.78 V
Balanced 15-k Ω , with 5195 transformer	
	0.38 V
Balanced 600- Ω matching, with 5195 transformer	
	0.38 V
Balanced 600- Ω matching, with 5195 transformer, 14-dB step-up configuration*	
	0.08 V
Signal-to-Noise Ratio	
Better than 100 dB, full power	
Low Cut Filter	
6 dB/octave below 250 Hz, switchable	
Front Panel Controls	
Power switch	
Level control	
Indicators	
Pilot lamp	
Level meter, dB	
Power Requirement	
120/240 V AC, 50/60 Hz	
Power Consumption	
Load on direct output	
Quiescent	40 W
1/3 power	250 W
Full power	400 W
Load on transformer output (6021 only)	
Quiescent	40 W
1/3 power	275 W
Full power	440 W
Fuse	
5-A 3AG	
Maximum Ambient Operating Temperature	
60°C 140°F	
Front Panel Finish	
Semi-gloss baked enamel, dark gray	
Mounting	
4 EIA standard rack spaces	
Dimensions	
Front panel	483 x 178 mm 19 x 7 in
Depth of controls	19 mm 3/4 in
Depth behind panel	327 mm 12 7/8 in
Net Weight	
6021	21 kg 47 lb
6022	16 kg 35 lb
Shipping Weight	
6021	24 kg 52 lb
6022	18 kg 39 lb
Accessory	
JBL Model 5195 Matching/Bridging Transformer	

JBL Professional Products are not intended for household use.

*Requires internal modification

6508

FILE COPY



REFERENCE DESIGNATION	LAST USED	NOT USED
R71		
C26		
CR15		
L1		
Q78		
R73		
V44		
CR102		

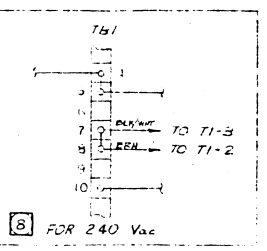
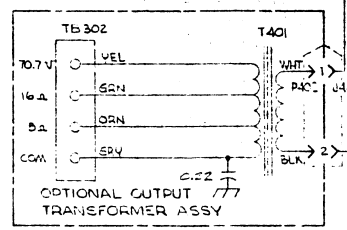
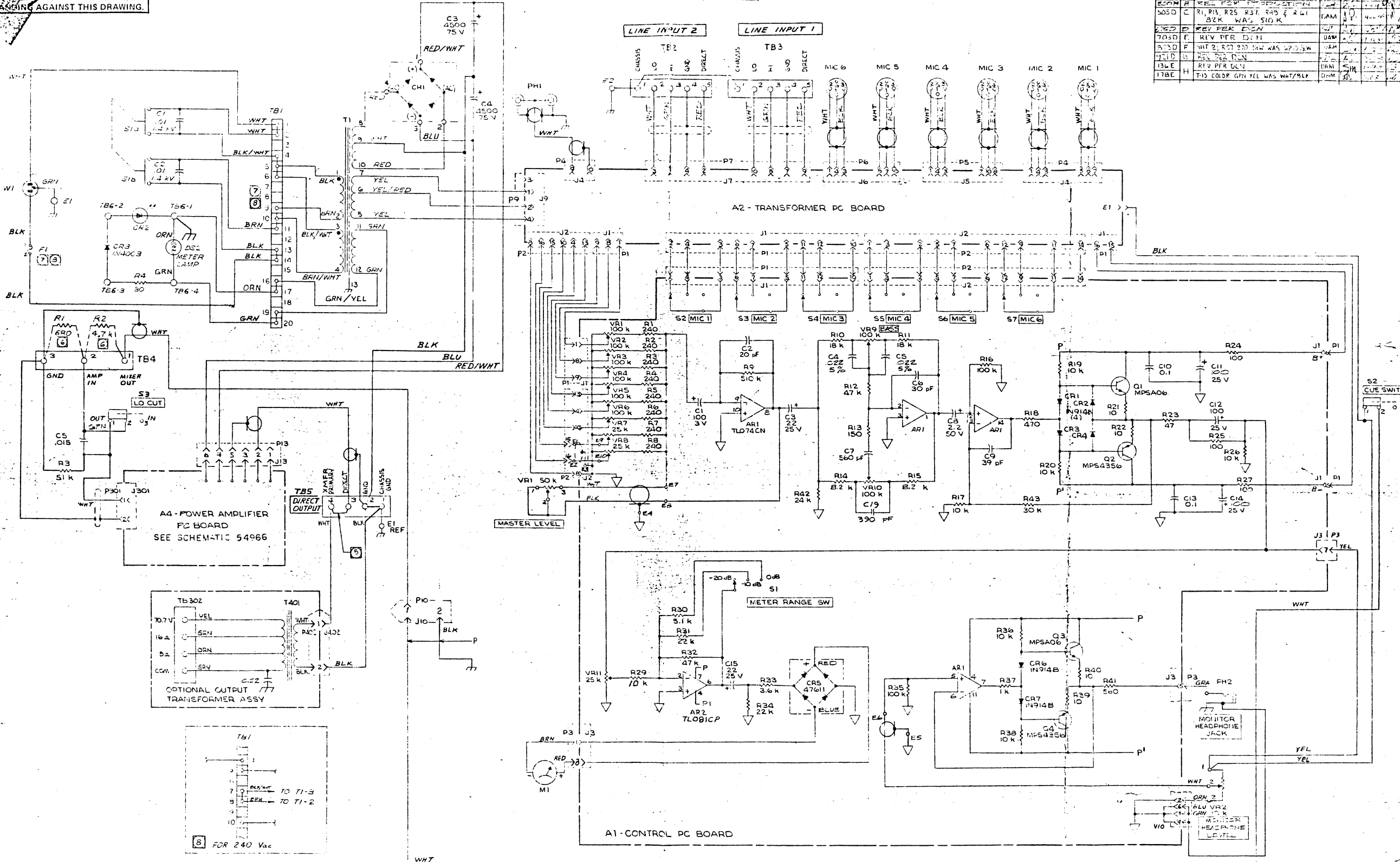
NOTICE
THE FOLLOWING
DCR'S ARE
OUTSTANDING
AGAINST THIS
DRAWING.

Q1P-027 MUST ALL BE SAME MANUFACTURER, R37 SELECTED FOR STABLE IDLE
DC POWER CONSUMPTION OF 40-60W (TYPICAL).
T-0140,0140A,0140B,0140C AND 027 ARE RCA 8203B OR 2H604L.
S-012,013,014,015,016,017,018 AND 025 ARE 2H6388 OR 2H604L.
S-019 ARE 2H6388 WITH 100V DC LINE AND NO SIGNAL INPUT.
S-020,021,022,023,024,025,026,027,028,029,030,031,032,033,034,035,036,037,038,039,040,041,042,043,044,045,046,047,048,049,050,051,052,053,054,055,056,057,058,059,060,061,062,063,064,065,066,067,068,069,070,071,072,073,074,075,076,077,078,079,080,081,082,083,084,085,086,087,088,089,090,091,092,093,094,095,096,097,098,099,100,101,102,103,104,105,106,107,108,109,110,111,112,113,114,115,116,117,118,119,120,121,122,123,124,125,126,127,128,129,130,131,132,133,134,135,136,137,138,139,140,141,142,143,144,145,146,147,148,149,150,151,152,153,154,155,156,157,158,159,160,161,162,163,164,165,166,167,168,169,170,171,172,173,174,175,176,177,178,179,180,181,182,183,184,185,186,187,188,189,190,191,192,193,194,195,196,197,198,199,200,201,202,203,204,205,206,207,208,209,210,211,212,213,214,215,216,217,218,219,220,221,222,223,224,225,226,227,228,229,230,231,232,233,234,235,236,237,238,239,240,241,242,243,244,245,246,247,248,249,250,251,252,253,254,255,256,257,258,259,260,261,262,263,264,265,266,267,268,269,270,271,272,273,274,275,276,277,278,279,280,281,282,283,284,285,286,287,288,289,290,291,292,293,294,295,296,297,298,299,300,301,302,303,304,305,306,307,308,309,310,311,312,313,314,315,316,317,318,319,320,321,322,323,324,325,326,327,328,329,330,331,332,333,334,335,336,337,338,339,340,341,342,343,344,345,346,347,348,349,350,351,352,353,354,355,356,357,358,359,360,361,362,363,364,365,366,367,368,369,370,371,372,373,374,375,376,377,378,379,380,381,382,383,384,385,386,387,388,389,390,391,392,393,394,395,396,397,398,399,400,401,402,403,404,405,406,407,408,409,410,411,412,413,414,415,416,417,418,419,420,421,422,423,424,425,426,427,428,429,430,431,432,433,434,435,436,437,438,439,440,441,442,443,444,445,446,447,448,449,450,451,452,453,454,455,456,457,458,459,460,461,462,463,464,465,466,467,468,469,470,471,472,473,474,475,476,477,478,479,480,481,482,483,484,485,486,487,488,489,490,491,492,493,494,495,496,497,498,499,500,501,502,503,504,505,506,507,508,509,510,511,512,513,514,515,516,517,518,519,520,521,522,523,524,525,526,527,528,529,530,531,532,533,534,535,536,537,538,539,540,541,542,543,544,545,546,547,548,549,550,551,552,553,554,555,556,557,558,559,560,561,562,563,564,565,566,567,568,569,570,571,572,573,574,575,576,577,578,579,580,581,582,583,584,585,586,587,588,589,590,591,592,593,594,595,596,597,598,599,600,601,602,603,604,605,606,607,608,609,610,611,612,613,614,615,616,617,618,619,620,621,622,623,624,625,626,627,628,629,630,631,632,633,634,635,636,637,638,639,640,641,642,643,644,645,646,647,648,649,650,651,652,653,654,655,656,657,658,659,660,661,662,663,664,665,666,667,668,669,670,671,672,673,674,675,676,677,678,679,680,681,682,683,684,685,686,687,688,689,690,691,692,693,694,695,696,697,698,699,700,701,702,703,704,705,706,707,708,709,710,711,712,713,714,715,716,717,718,719,720,721,722,723,724,725,726,727,728,729,730,731,732,733,734,735,736,737,738,739,740,741,742,743,744,745,746,747,748,749,750,751,752,753,754,755,756,757,758,759,760,761,762,763,764,765,766,767,768,769,770,771,772,773,774,775,776,777,778,779,780,781,782,783,784,785,786,787,788,789,790,791,792,793,794,795,796,797,798,799,800,801,802,803,804,805,806,807,808,809,810,811,812,813,814,815,816,817,818,819,820,821,822,823,824,825,826,827,828,829,830,831,832,833,834,835,836,837,838,839,840,841,842,843,844,845,846,847,848,849,850,851,852,853,854,855,856,857,858,859,860,861,862,863,864,865,866,867,868,869,870,871,872,873,874,875,876,877,878,879,880,881,882,883,884,885,886,887,888,889,890,891,892,893,894,895,896,897,898,899,900,901,902,903,904,905,906,907,908,909,910,911,912,913,914,915,916,917,918,919,920,921,922,923,924,925,926,927,928,929,930,931,932,933,934,935,936,937,938,939,940,941,942,943,944,945,946,947,948,949,950,951,952,953,954,955,956,957,958,959,960,961,962,963,964,965,966,967,968,969,970,971,972,973,974,975,976,977,978,979,980,981,982,983,984,985,986,987,988,989,990,991,992,993,994,995,996,997,998,999,1000.

NUMBERS	DESCRIPTION	REVISIONS
54960-11	SCHEMATIC 6502	1
54960-21	SCHEMATIC 6502	2

REVISIONS						
CHG	LTR	DESCRIPTION	DFT	CHK	DATE	APPR
	A	MFG PROTOTYPE R/JN NO. 1				
54960	B	REV PER DEN				
5050	C	R1, R3, R25, R31, R45 & R47 BLK WAS STD K	DAM			
7050	D	REV PER DEN				
7050	E	REV PER DEN				
9110	F	WHT 2, R27 250 OHM WAS 200 OHM	DAM			
134E	G	REV PER DEN				
178E	H	THIS COLOR GRN YEL WAS WHT/BLK	DAM			

NOTICE
THE FOLLOWING DCR'S ARE OUT-
STANDING AGAINST THIS DRAWING.



A1-REFERENCE DESIGNATIONS				UNIT-REFERENCE DESIGNATIONS			
LAST USED	NOT USED	LAST USED	NOT USED	LAST USED	NOT USED	LAST USED	NOT USED
Q4				W1		C5	
R2				F1		R4	
R43	R28			TB6		CR3	
VR11				S3		P301	PB.11, 4, 15 17 THRU 300 15, 11, 14, 15, 17 THRU 300
CR7				DS2	DS1	J301	
T2						E2	
VR2							
PH2							
MIC 6							
M1							

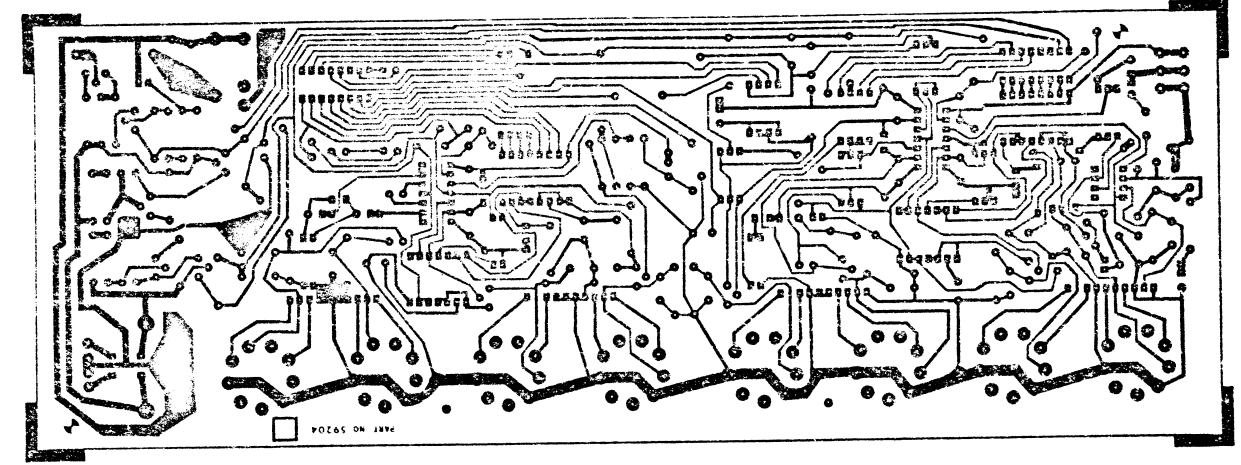
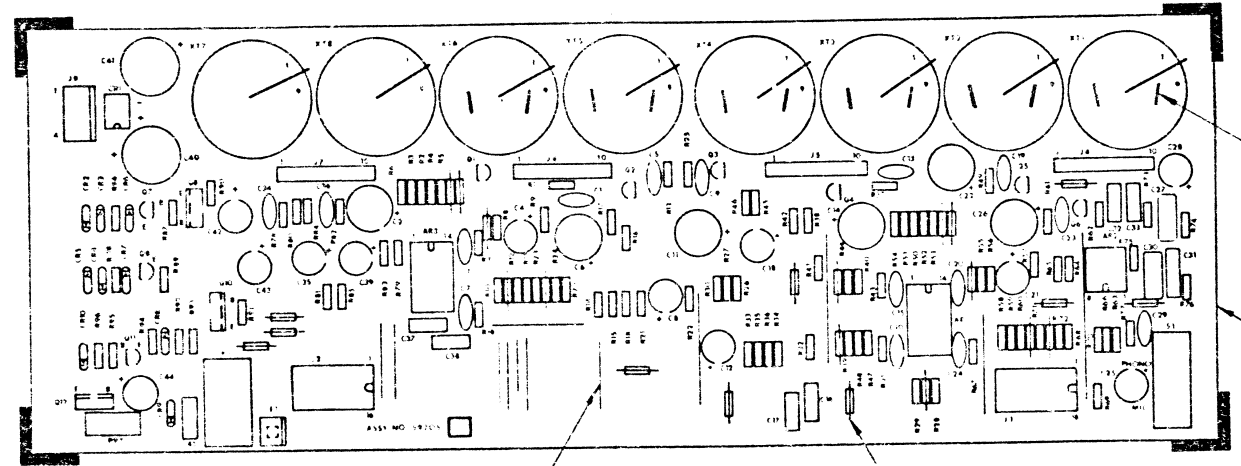
PAGE
1 of 4
6502

- 1. CIRCUIT VARIATION FOR 240 VAC INPUT. FUSE VALUE IS 25 A.
- 2. CIRCUIT VARIATION FOR 120 VAC INPUT. FUSE VALUE IS 5 A.
- 3. INTERNAL COMPONENTS.
- 4. IN THE EVENT THE OPTIONAL OUTPUT TRANSFORMER IS EMPLOYED, A JUMPER WIRE MUST BE INSERTED BETWEEN TB5-3 AND TB5-4.
- 5. NON-POLARIZED CAPACITORS $1000 \mu F$ ARE MICA; $2000 \mu F$ ARE POLYESTER.
- 6. CAPACITANCE VALUES ARE IN MICROFARADS.
- 7. ALL RESISTORS ARE 1/4 W, 5% TOLERANCE FILM.
- 8. RESISTANCE VALUES ARE IN OHMS.

ITEM	PART NO.	DESCRIPTION	QTY	REMARKS
BILL OF MATERIAL				
UNLESS OTHERWISE SPECIFIED DIMENSIONS ARE IN MILLIMETERS (IN PARENTHESES) OR INCHES (IN BRACKETS). MINOR DIMENSIONS IN MILLIMETERS.				
TOLERANCES: UNLESS OTHERWISE SPECIFIED: DIMENSIONS IN MILLIMETERS: FRACTIONAL U.S. DIMENSIONS: 1/16" (1.5625) (1.5625)				
ALL DIMENSIONS ARE FOR UNLESS OTHERWISE SPECIFIED				
DO NOT SCALE DRAWING				

ALL DIMENSIONS AND SPECIFICATIONS ARE THE PROPERTY OF JAMES B. LANSING SOUND, INC. PARTS ARE LISTED IN THE SCHEMATIC AND PARTS LIST. THIS DRAWING IS TO BE USED AS THE BASIS FOR MANUFACTURE OF THE EQUIPMENT. THE DRAWING IS NOT TO BE REPRODUCED OR COPIED IN ANY MANNER WITHOUT THE WRITTEN PERMISSION OF JAMES B. LANSING SOUND, INC.

CHG	LTR	REVISIONS	DESCRIPTION	DRFT	CHK	DATE	APPD
53024		1	REDRAWN DESIGN UPDATE REL FOR PRODUCTION				



ITEM	PART NO.	DESCRIPTION	QTY	REMARKS
43	48337	TRANSISTOR, 2N5086	2	Q7, 11
42	58720	NPN 4A 2N6123	1	Q8
41	58719	PNP 4A 2N6126	1	Q10
40	55411	MJE 182	1	Q12
39	59030	PF5103	6	Q1, 2, 3, 4, 5, 6
38	48338	TRANSISTOR, 2N5210	1	Q9
37	58725-1005	CAPACITOR, 10 μF, 50V	1	C44
36	59268	1000 μF, 6.3 V (36178)	6	C2, 6, 11, 14, 22, 26
35	59269	220 μF, 50 V	2	C40, 41
34	59048	.0056 μF, 250V	1	C31
33	59073	.0012 μF, 250 V	1	C30
32	58690	.1 μF, 100 V	6	C16, 17, 32, 33, 37, 38
31	58738	.01 μF, 250 V	1	C45
30				
29	48433	MICA, 20 pF, 500 V, 5%	14	C1, 3, 5, 7, 9, 10, 13, 15, 19, 20, 23, 24, 34, 36
28	48451	MICA, 100 pF, 500 V, 5%	1	C27
27	58730-2205	CAPACITOR, 22 μF, 25 V (58730)	11	C4, 8, 12, 18, 21, 25, 28, 35, 39, 42, 43
26	35720	RESISTOR, 680 Ω 1/2 W (35676)	1	R97
25	36456	910 Ω 1/4 W	6	R11, 23, 35, 47, 59, 71
24	36440	200 Ω	1	R92
23	36436	130 Ω	6	R12, 24, 36, 48, 60, 72
22	36434	110 Ω	2	R90, 91
21	36429	58 Ω	2	R87, 89
20	36522	510 kΩ	6	R1, 13, 25, 37, 49, 61
19	31055	1 MΩ	1	R94
18	36524	620 kΩ	1	R76
17	36517	330 kΩ	6	R7, 19, 31, 43, 55, 67
16	35621	100 kΩ	1	R96
15	36499	56 kΩ	1	R75
14	36497	47 kΩ	1	R73
13	36493	33 kΩ	2	R86, 88
12	36479	8.2 kΩ	6	R6, 18, 29, 41, 54, 66
11	36473	4.7 kΩ	2	R81, 85
10	36459	1.2 kΩ	1	R74
9	36464	2 kΩ	1	R95
8	36457	1 kΩ	2	R79, 83
7	36486	16 kΩ	6	R10, 22, 34, 46, 58, 69
6	36485	15 kΩ	8	R4, 16, 27, 39, 52, 64, 78, 82
5	36484	13 kΩ	6	R8, 20, 32, 44, 56, 68
4	36481	10 kΩ	20	R3, 5, 9, 15, 17, 21, 28, 30, 33, 40, 42, 45, 51, 53, 57, 63, 65, 70, 80, 84
3	36478	7.5 kΩ	6	R2, 14, 26, 38, 50, 62
2	36509	RESISTOR, 150 kΩ 1/4 W	1	R93
1	59204	P.C. BOARD, TRANSFORMER	1	

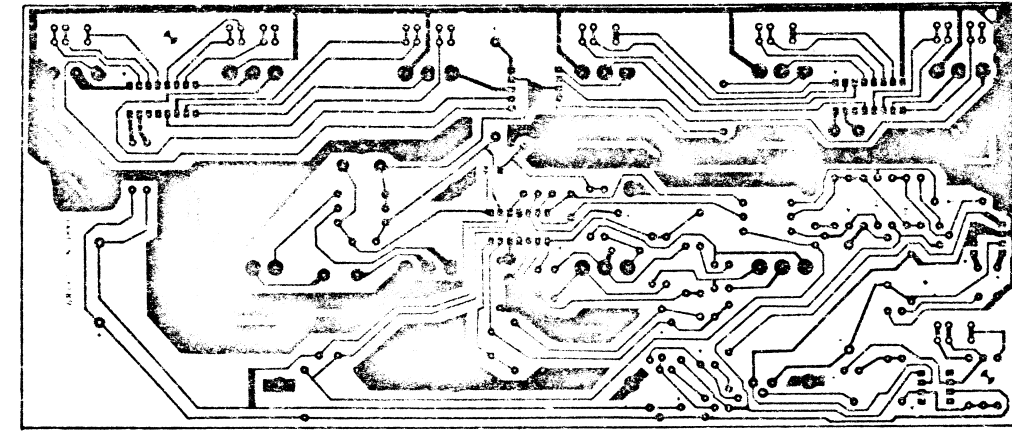
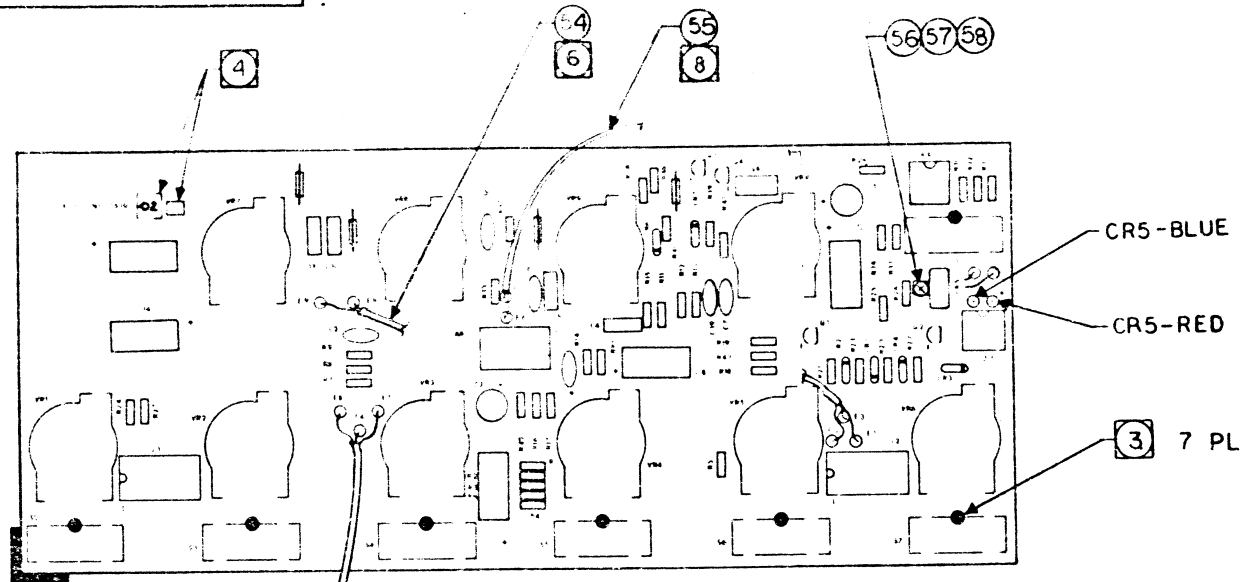
65	54727	SCREW, PNH, 4-40 x 3/16	2	(USED ON Q8 & Q10)
64	59541	HEATSINK, TRANSISTOR, TO-220	2	(USED ON Q8 & Q10)
63	48679	JUMPER, 22 AWG, SOLID, 3LK(48600)	1	508 [20] TOTAL
62	51430	JUMPER, CIRCUIT	23	
61	58325-01	JUMPER, 11 AWG, 1/4	12	
60	59277	SOCKET, 9 PIN	8	XT1 - XT8
59	58722-79	POST HEADER, 10 POSITION	1	J7
58	58722-17	POST HEADER, 10 POSITION	3	J4, 5, 6
57	59021-03	SOCKET, IC, 16 PIN	2	J1, 2
56	48514	NUT, HEX	2	(USED ON Q8 & Q10)
55				
54	57065	SWITCH, SLIDE, DPDP	1	S1
53	59038	RELAY, HBI-DC, 24 V	1	K1
52	52216	IC, OP AMPL, TLOB1CP	1	AR2
51	59028	IC, OP AMPL, LOW NOISE, TLO74CP	2	AR1, 3
50	58768	TERMINAL, FAST-ON, MALE, .187	1	E1
49	59290	CONNECTOR, 4 PIN, MALE	1	J9
48	55648	DUAL IN-LINE BRIDGE	1	CR1
47	59878	DIODE, ZENER IN4746A	2	CR6, 7
46	59034	DIODE, ZENER IN4731	1	CR10
45	39869	DIODE, IN4003	1	CR9
44	52544	DIODE, IN914B	5	CR2, 3, 4, 5, 8

A COMPONENTS NOT USED: C29 & R77.
 B CIRCUIT SHOWN FOR REFERENCE ONLY.
 2. FOR 6502 SCHEMATIC SEE DWG. 59280-X1.
 1. FOR 5302 SCHEMATIC SEE DWG. 59163-X1.
 NOTES: (UNLESS OTHERWISE SPECIFIED)

ITEM	PART NO.	DESCRIPTION	QTY	REMARKS												
BILL OF MATERIAL																
UNLESS OTHERWISE SPECIFIED DIMENSIONS ARE IN MILLIMETRES (WITH INCH SIZES IN BRACKETS) GREAT SHARP EDGES 0.4mm (0.016 inch)																
TOLERANCES UNLESS OTHERWISE SPECIFIED																
<table border="0"> <tr> <td>XXX</td><td>0.3</td><td>0.05mm</td><td>ANG 18</td> </tr> <tr> <td>XX</td><td>0.25</td><td>0.10mm</td><td></td> </tr> <tr> <td>X</td><td>0.5</td><td>0.20mm</td><td></td> </tr> </table>					XXX	0.3	0.05mm	ANG 18	XX	0.25	0.10mm		X	0.5	0.20mm	
XXX	0.3	0.05mm	ANG 18													
XX	0.25	0.10mm														
X	0.5	0.20mm														
FRACTIONAL U.S. DIMENSIONS 1:12																
ALL DIMENSIONS ARE FINISHED DIMENSIONS DO NOT SCALE DRAWING																
MATERIAL		DRAWN 25 MAY 79		JAMES B. LANSING SOUND, INC.												
FINISH		CHECKED BY		TRANSFORMER P.C. BOARD ASSEMBLY												
QUANTITY USED		DATE		REV												
SCALE		SHEET		REV												
SCALE		SHEET		REV												

THESE DRAWINGS AND SPECIFICATIONS ARE THE PROPERTY OF JAMES B. LANSING SOUND INC. THEY ARE ISSUED IN STRICT CONFIDENCE AND SHALL NOT BE REPRODUCED, COPIED, OR USED AS THE BASIS FOR MANUFACTURE OR SALE OF APPARATUS WITHOUT WRITTEN PERMISSION.

CHG		TR		DESCRIPTION	DRFT	CHK	DATE	APPR
E00094		8		REDRAWN & DESIGN UPDATE. REL. FOR PRODUCTION			6/1/59	



REF DESIGNATION	
LAST USED	NOT USED
Q4	
AR2	
R43	R28
VR11	
C19	C16,17,18
CR7	
S7	
J3	

ITEM	PART NO.	DESCRIPTION	QTY	REMARKS
46				
45				
44				
43				
42				
41				
40	59028	IC, LOW NOISE, OP AMP, TL074CN	1	AR1
39	55201	TRANSISTOR, PNP, MPS-4356	2	Q2, Q4
38	48340	TRANSISTOR, NPN, MPS-406	2	Q1, Q3
37	58370-2205	CAPACITOR, 22 μF, 25 V (58370)	1	C3
36	48471	560 pF, 500 V, 5%	1	C7
35	48466	390 pF, 500 V, 5%	1	C19
34	48440	39 pF, 500 V, 5%	1	C9
33	48432	30 pF, 500 V, 5%	1	C6
32	48433	20 pF, 500 V, 5%	1	C2
31	48504	100 μF, 25 V	1	C12
30	56823	100 μF, 3 V	1	C1
29	36188	22 μF, 25 V	3	C11, C14, C15,
28	36180	2.2 μF, 50 V	1	C8
27	58690	0.1 μF, 100 V (48417)	2	C10, C13
26	59107	CAPACITOR, .022 μF, 250 V, 5% (48417)	2	C4, C5
25	36522	RESISTOR, 510 kΩ, 1/4 W, 5%	1	R9
24	35221	100 kΩ	2	R16, R35
23				
22	36497	47 kΩ	2	R12, R32
21	36492	30 kΩ	1	R43
20	36490	24 kΩ	1	R42,
19	35605	22 kΩ	2	R31, 34
18	36487	18 kΩ	2	R10, R11
17	36481	10 kΩ	7	R17, 19, 20, 26, 36, 38, 29
16	36479	8.2 kΩ	2	R14, R15
15	36474	5.1 kΩ	1	R30
14	36470	3.6 kΩ	1	R33
13	36457	1 kΩ	1	R37
12	36451	560 Ω	1	R41
11	36449	470 Ω	1	R18
10	36442	240 Ω	8	R1, 2, 3, 4, 5, 6, 7, 8
9	36437	150 Ω	1	R13
8	35549	100 Ω	3	R24, 25, 27
7	36425	47 Ω	1	R23
6	36410	RESISTOR, 10 Ω, 1/4 W, 5%	4	R21, 22, 39, 40
5	59263	TRIM POT, 25kΩ	1	VR11
4	59179-02	POTENTIOMETER, 100kΩ (59179-XX)	8	VR1, 2, 3, 4, 5, 6, 9, 10
3	59179-01	POTENTIOMETER, 25kΩ (59179-XX)	2	VR7, 8
2	58407	SLIDE SWITCH	7	S1, S2, S3, S4, S5, S6, S7
1	59189	P.C BOARD	1	

58	48515	NUT, HEX, 2-56	1	
57	54972	WASHER, LOCK, NO 2	1	
56	55122	SCREW, PNH, 2-56 X 3/8	1	
55	58873	CABLE, SINGLE COND, COAX	X	9
54	58871	CABLE, SHIELDED, 2 COND	X	9
53	59021-01	SOCKET, IC (59021-XX)		J3
52	51430	JUMPER, CIRCUIT	4	
51	59021-03	SOCKET, IC (59021-XX)	2	J1, J2
50				
49	47611	BRIDGE RECTIFIER	1	CR5
48	52544	DIODE, 75 PIV, IN914B	6	CR1, 2, 3, 4, 6, 7
47	59876	IC, OP AMPL, JFET-INP, TL081CP	1	AR2

- 7 SOLDER ITEM 54 AS FOLLOWS:
 A) SHIELD TO E4.
 B) WHITE TO E7.
 C) BLACK TO E8.
- 6 SOLDER ITEM 54 AS FOLLOWS:
 A) WHITE FROM E1 TO E9.
 B) BLACK FROM E2 TO E10.
 C) SHIELD TO E3.
- 5 STRIP WIRE 6.4 [1/4] BOTH ENDS.
- 4 RUBBER STAMP ASSY DASH NUMBER & REVISION WHERE SHOWN.
- 3 ITEM 2 IS POLARIZED, DETENT MECHANISM TO BE LOCATED AS INDICATED.
2. FOR SCHEMATIC SEE 59280-XI.
1. CIRCUITRY SHOWN FOR REFERENCE ONLY.
- NOTES: (UNLESS OTHERWISE SPECIFIED.)

- 9 LENGTH TO BE DETERMINED.
- 8 SOLDER ITEM 55 AS FOLLOWS:
 A) SHIELD TO E5.
 B) WHITE TO E6.

UNLESS OTHERWISE SPECIFIED DIMENSIONS ARE IN MILLIMETRES WITH INCH SIZES IN BRACKETS. BREAK SHARP EDGES 0.4 mm (0.016 in).		TOLERANCES UNLESS OTHERWISE SPECIFIED	
DECIMALS	ANGULAR	DECIMALS	ANGULAR
0.125 - 0.250 in	± 0.125	± 0.125	± 0.125
0.250 - 0.500 in	± 0.250	± 0.250	± 0.250
0.500 - 1.000 in	± 0.500	± 0.500	± 0.500
1.000 - 2.000 in	± 1.000	± 1.000	± 1.000
2.000 - 5.000 in	± 2.000	± 2.000	± 2.000
5.000 - 10.000 in	± 5.000	± 5.000	± 5.000
10.000 - 25.000 in	± 10.000	± 10.000	± 10.000
25.000 - 50.000 in	± 25.000	± 25.000	± 25.000
50.000 - 100.000 in	± 50.000	± 50.000	± 50.000
100.000 - 250.000 in	± 100.000	± 100.000	± 100.000
250.000 - 500.000 in	± 250.000	± 250.000	± 250.000
500.000 - 1000.000 in	± 500.000	± 500.000	± 500.000

