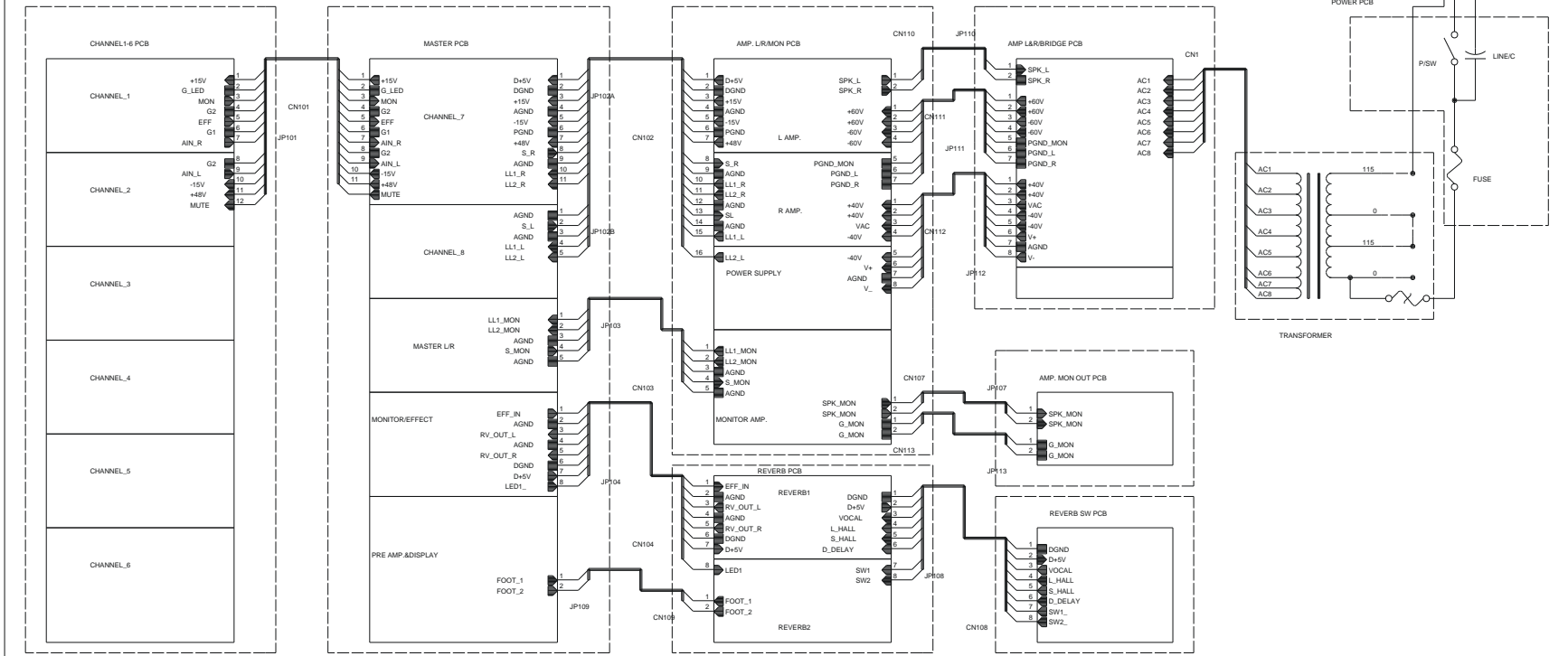
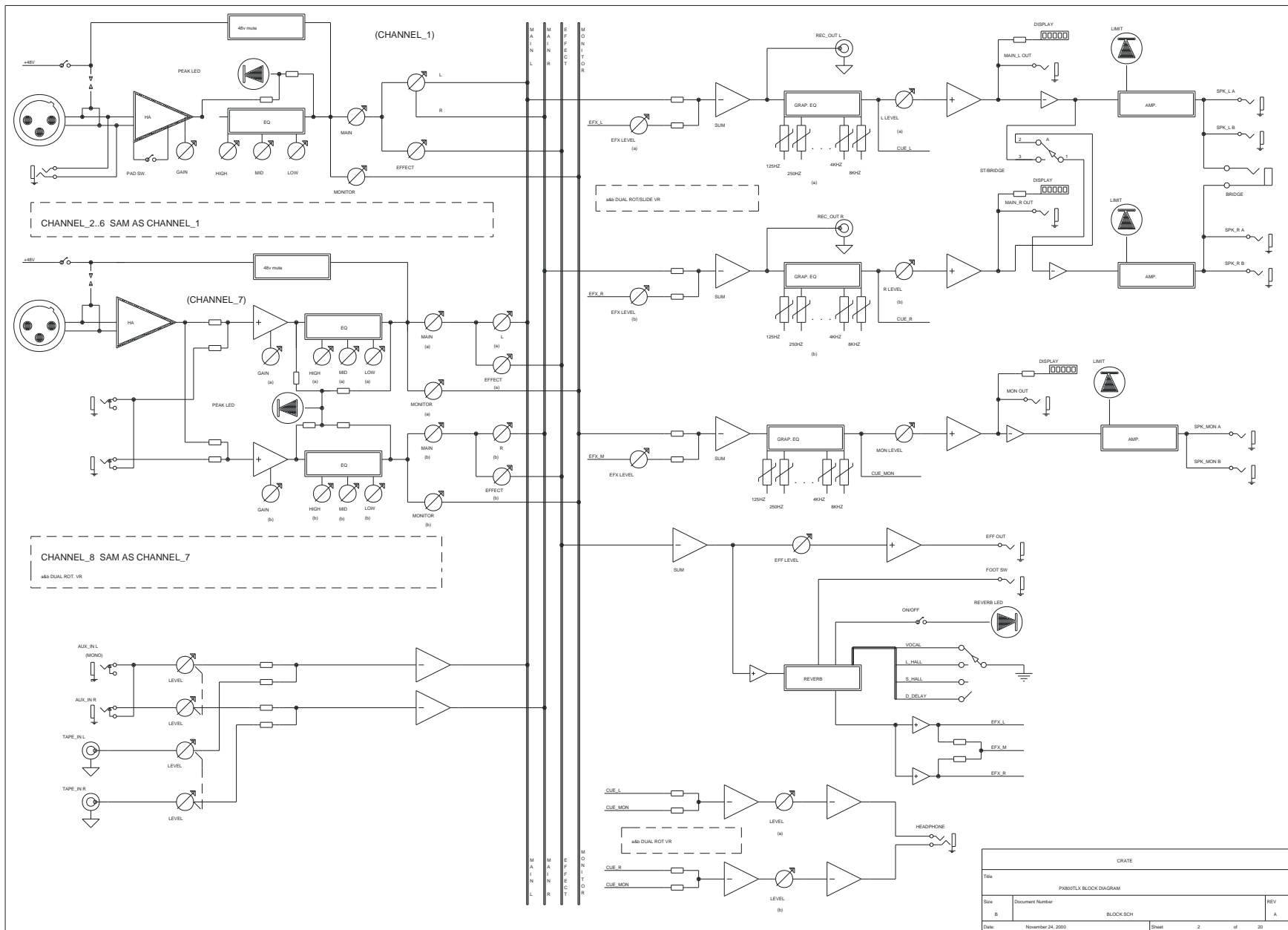


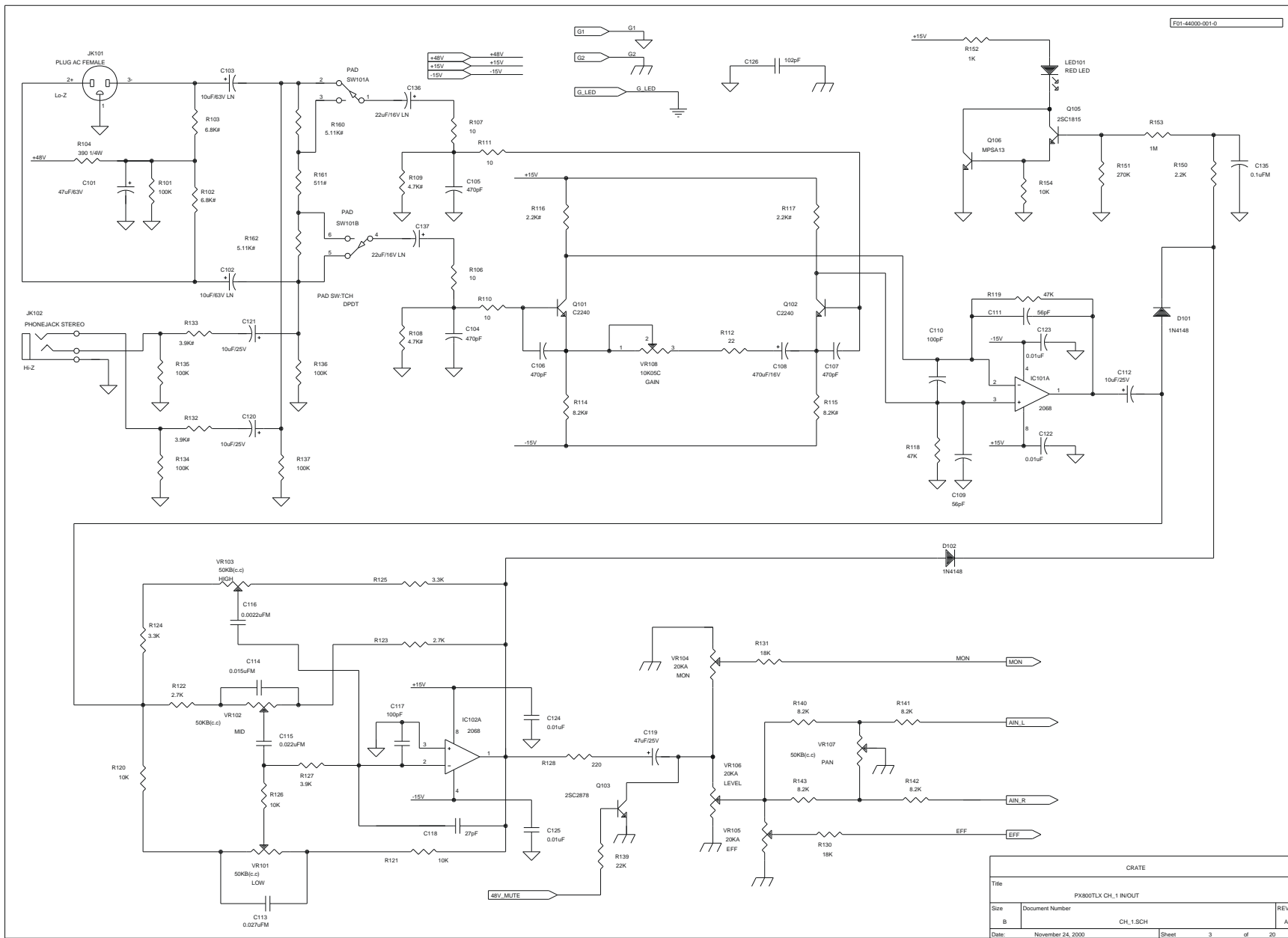
BLOCK

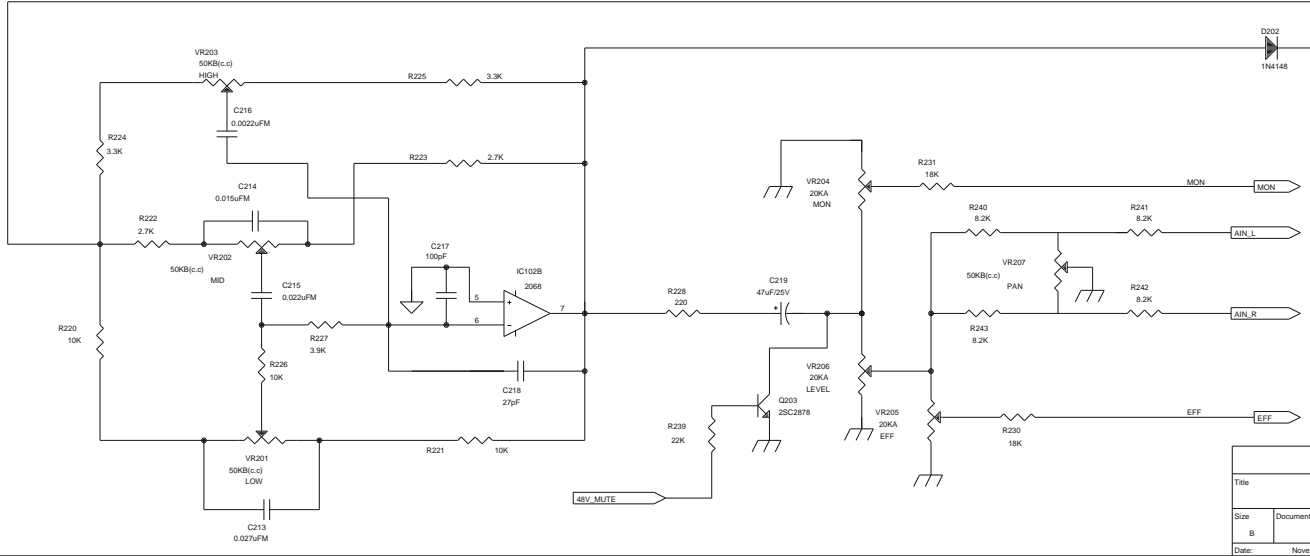
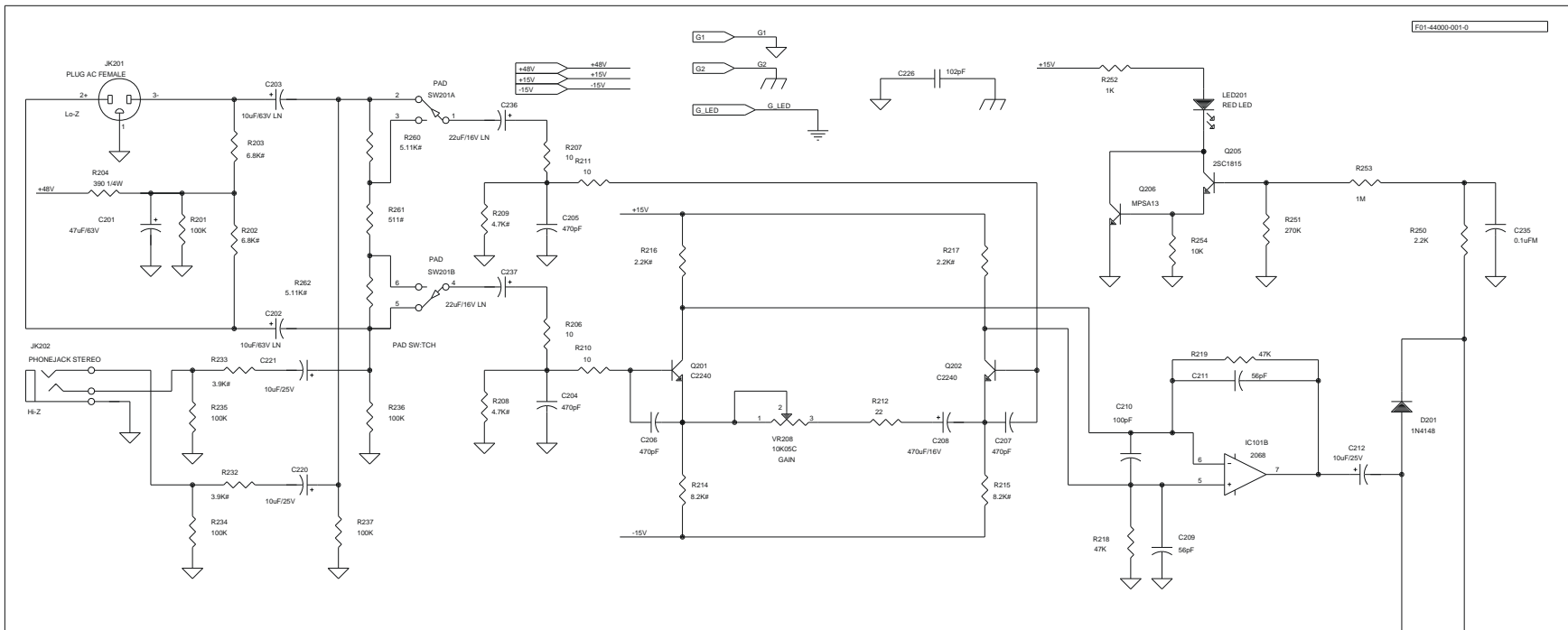


CRATE			
Title			
PX800TLX SHEET DIAGRAM			
Size	Document Number	REV	
B	SHEET.SCH	A	
Date:	November 24, 2000	Sheet	1 of 20

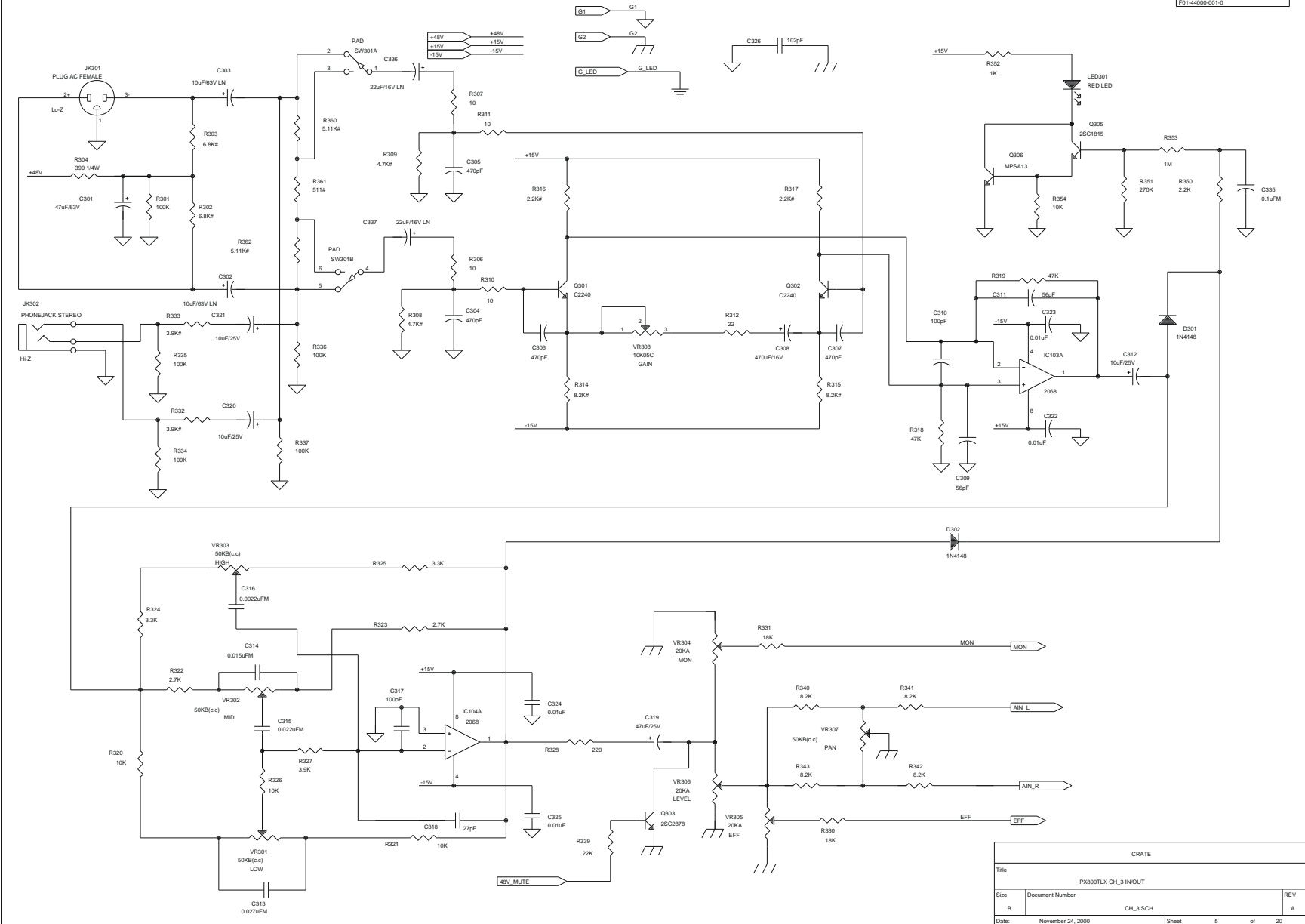


CRATE			
Title			
P880TLX BLOCK DIAGRAM			
Size	Document Number	BLOCKSCH	REV A
Date	November 24, 2000	Sheet	2 of 20

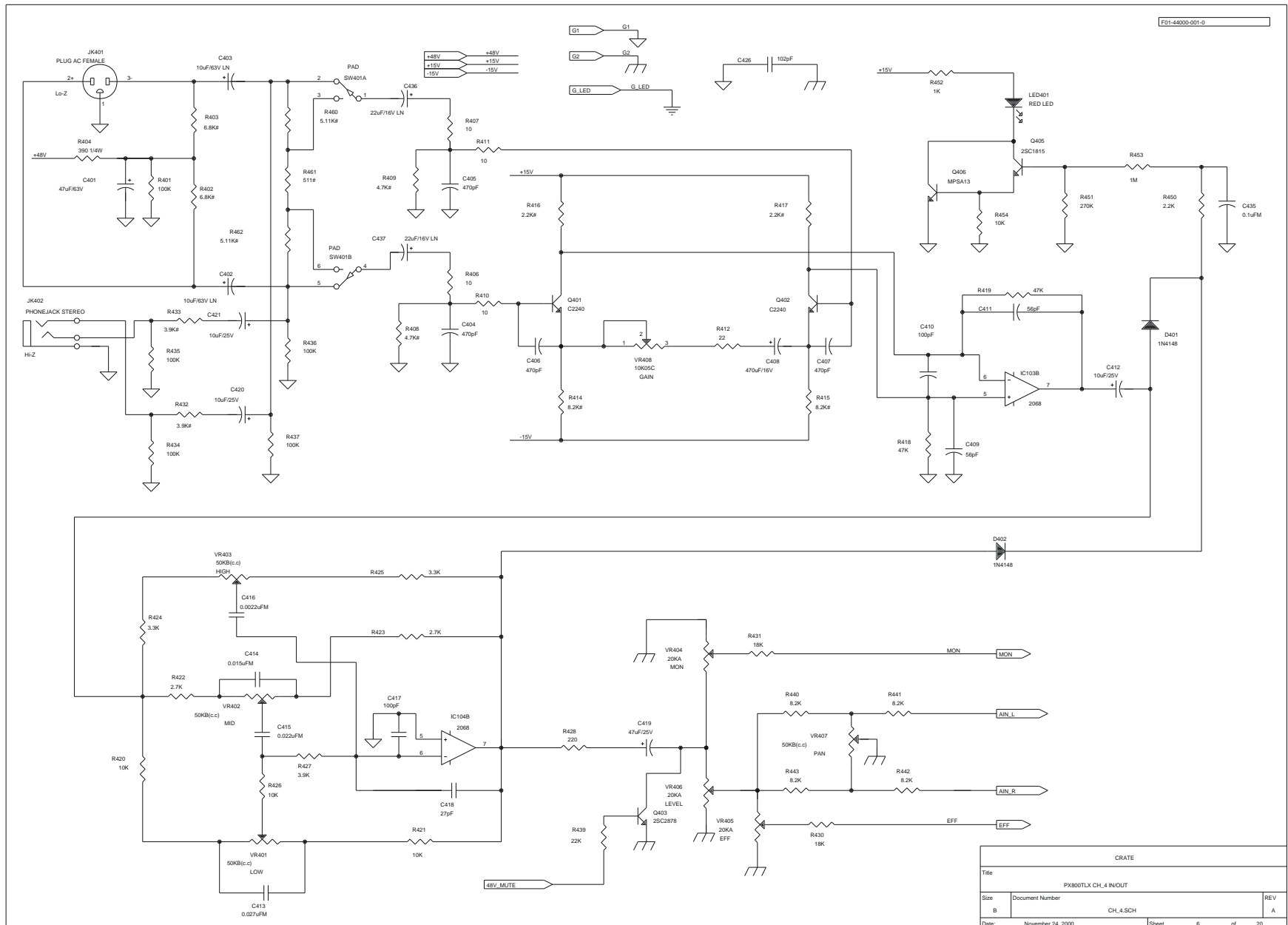


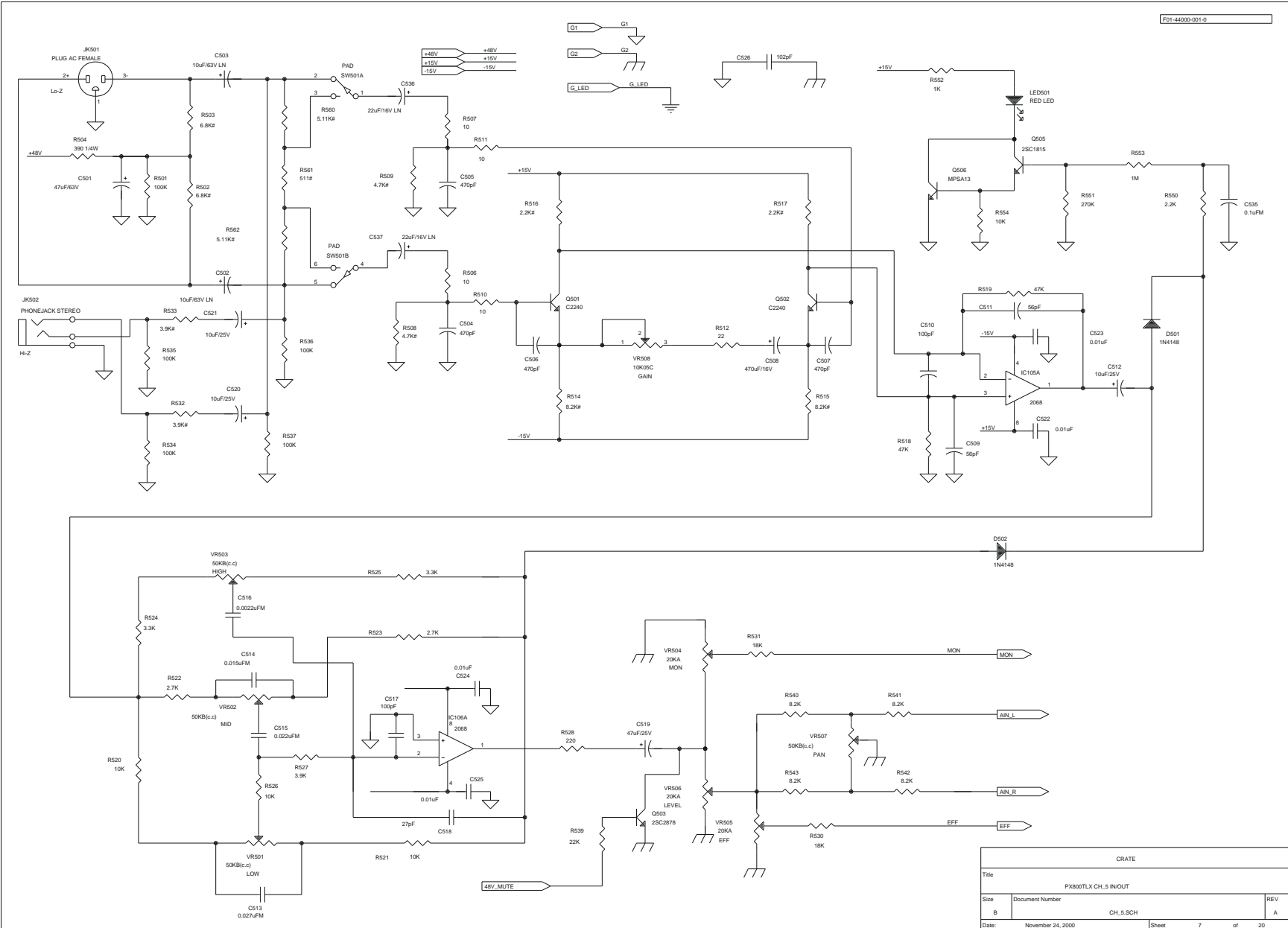


CRATE			
Title			
PX800TLX CH_2 IN/OUT			
Size	Document Number	REV	
B	CH_2.SCH	A	
Date:	November 24, 2000	Sheet	4 of 20

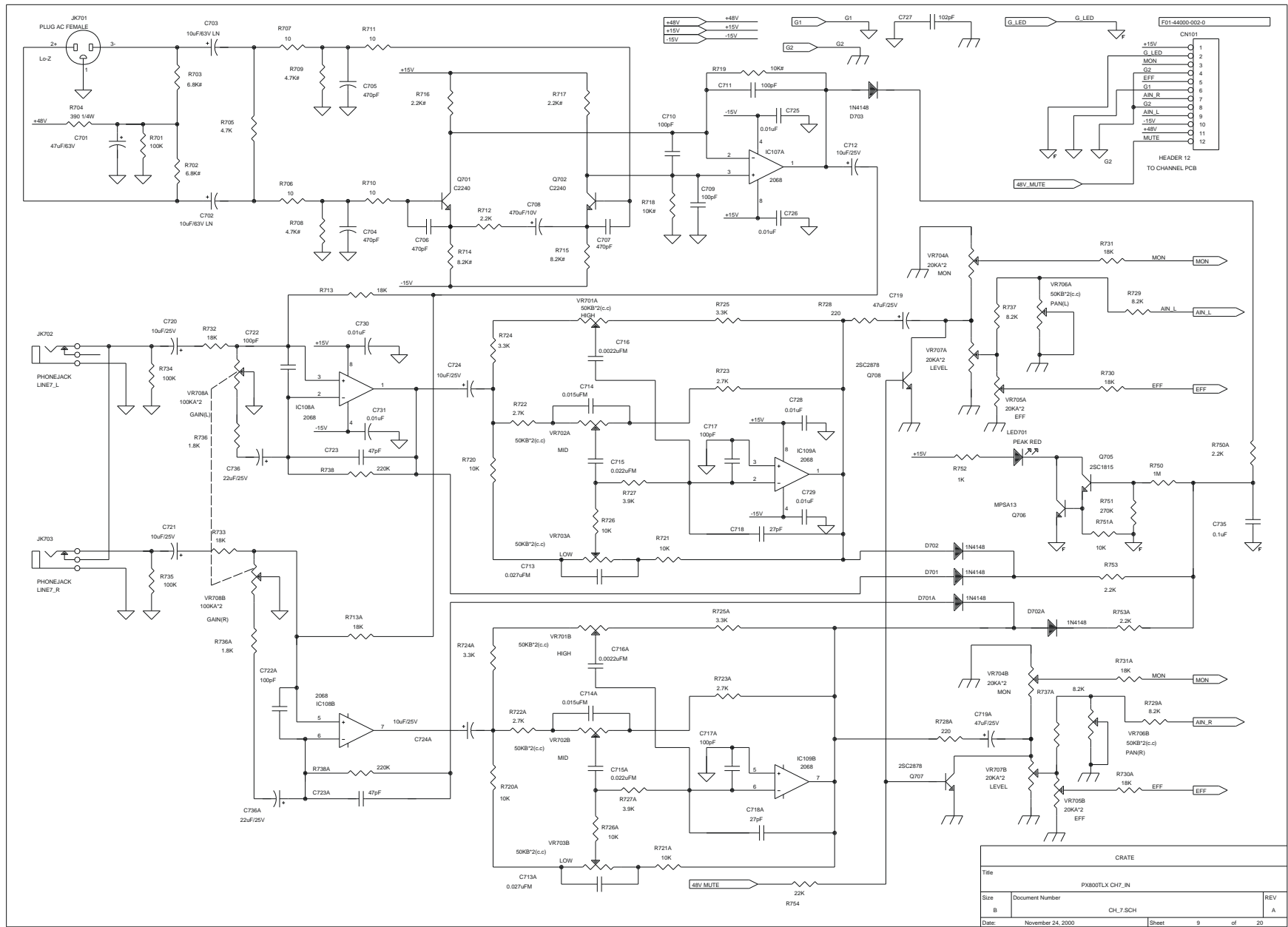


CRATE		
Title PX800TLX CH_3 IN/OUT		
Size B	Document Number CH_3.SCH	REV A
Date November 24, 2000	Sheet 5	of 20

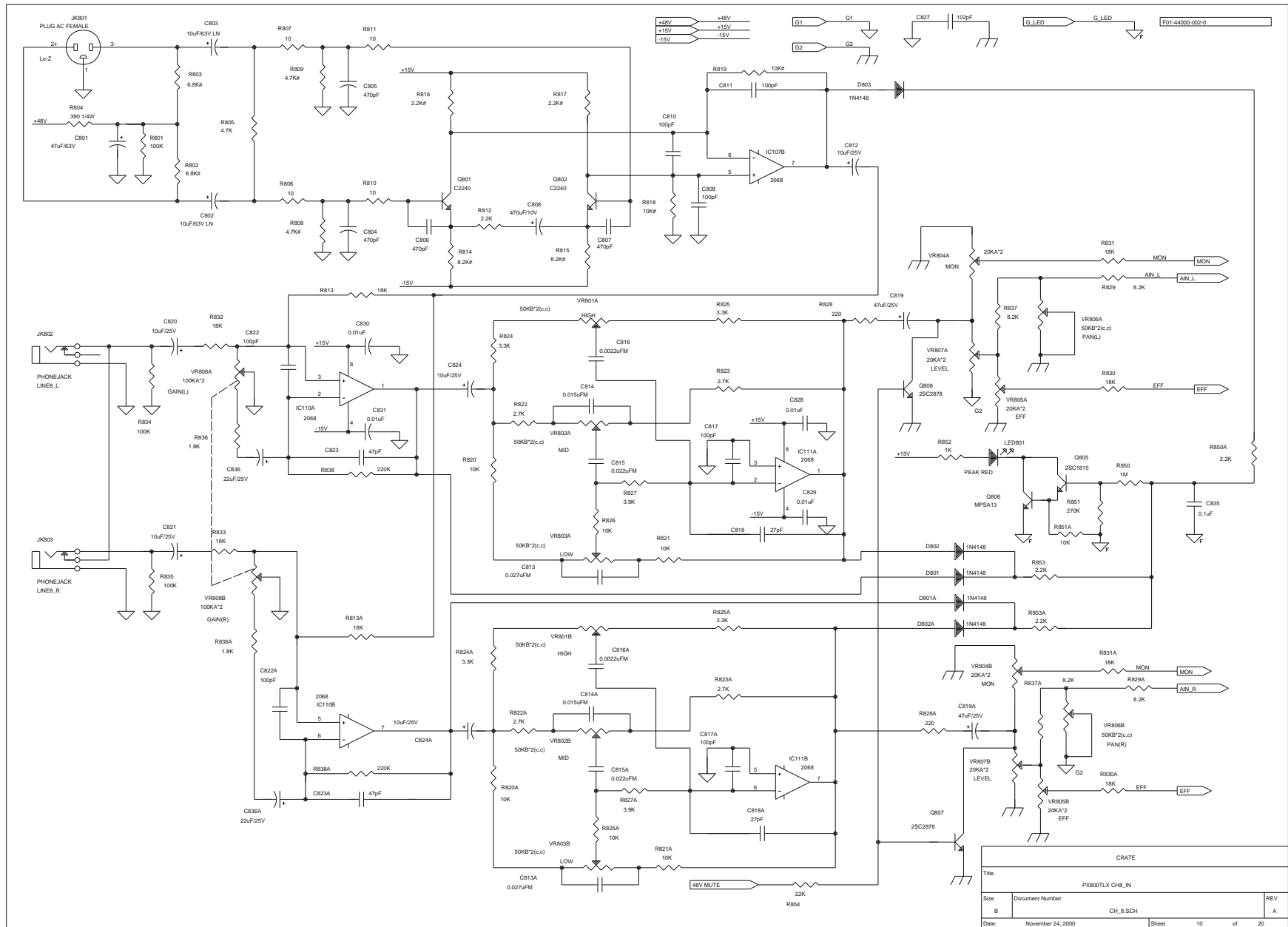




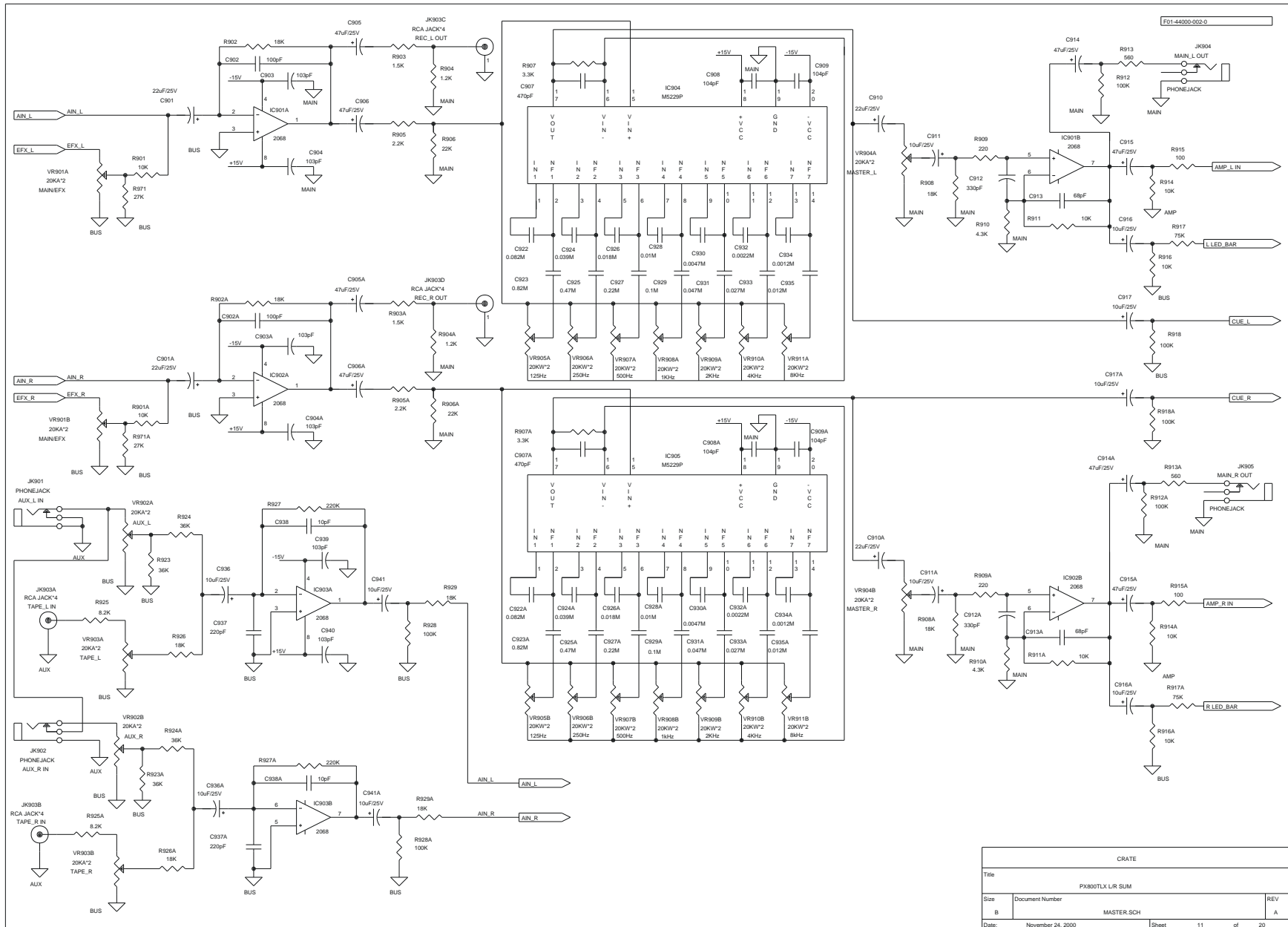
CRATE		
Title PX300TLX CH.5 IN/OUT		
Size B	Document Number CH.5.SCH	REV A
Date: November 24, 2000	Sheet 7	of 20



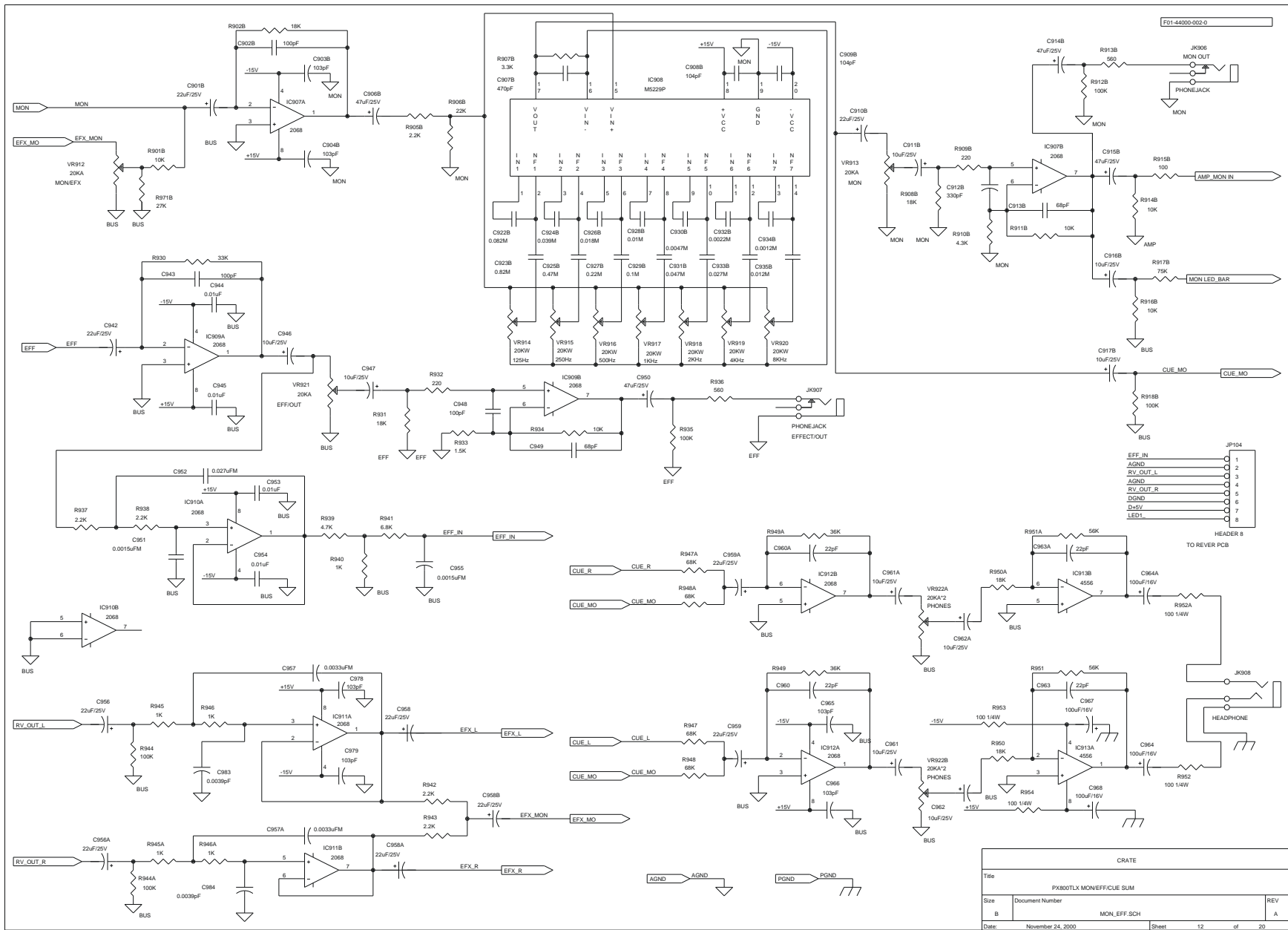
CRATE			
Title PX800TLX.CH7.IN			
Size B	Document Number CH_7_SCH	REV A	
Date: November 24, 2000	Sheet 9	of 20	



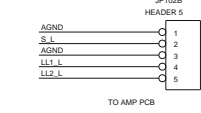
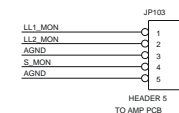
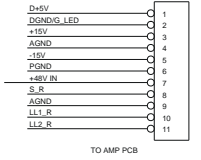
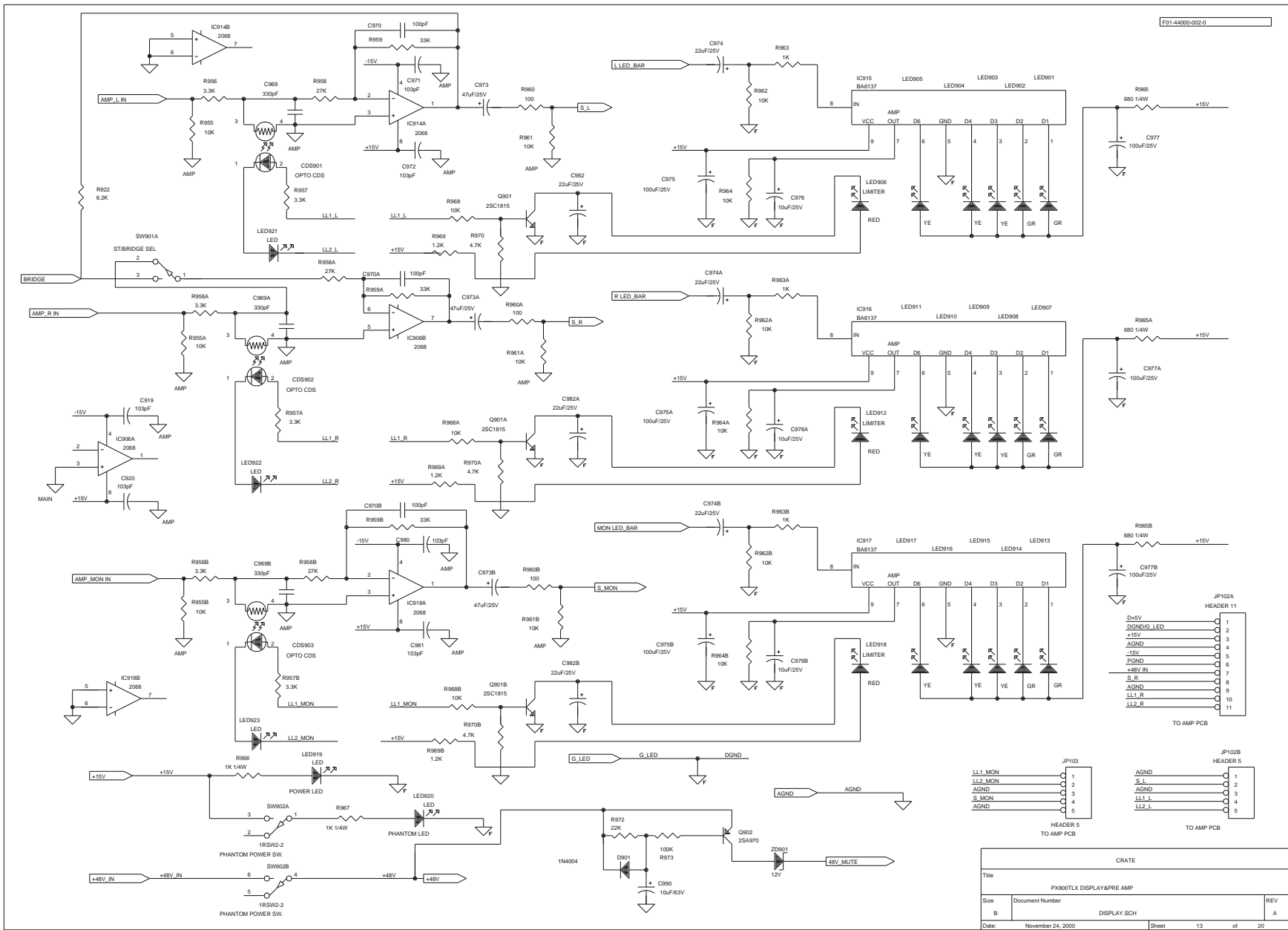
CRATE			
Title	PX800TLX CH8_IN		
Size	Document Number	REV	
B	CH_8_SCH	A	
Date:	November 24, 2000	Sheet	10 of 20



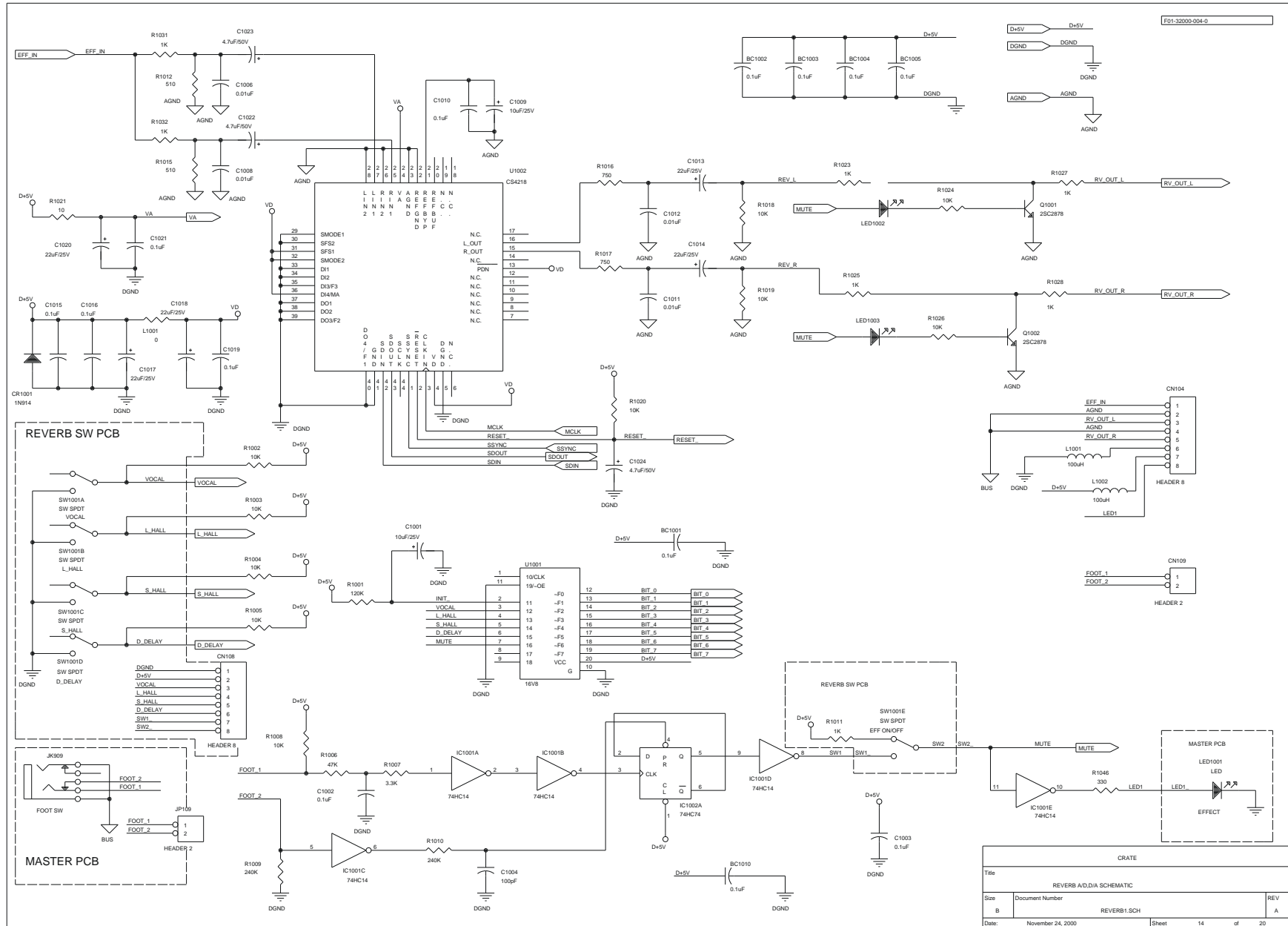
CRATE			
Title PX80TLX L/R SUM			
Size B	Document Number MASTER.SCH	REV A	
Date: November 24, 2000	Sheet 11	of 20	



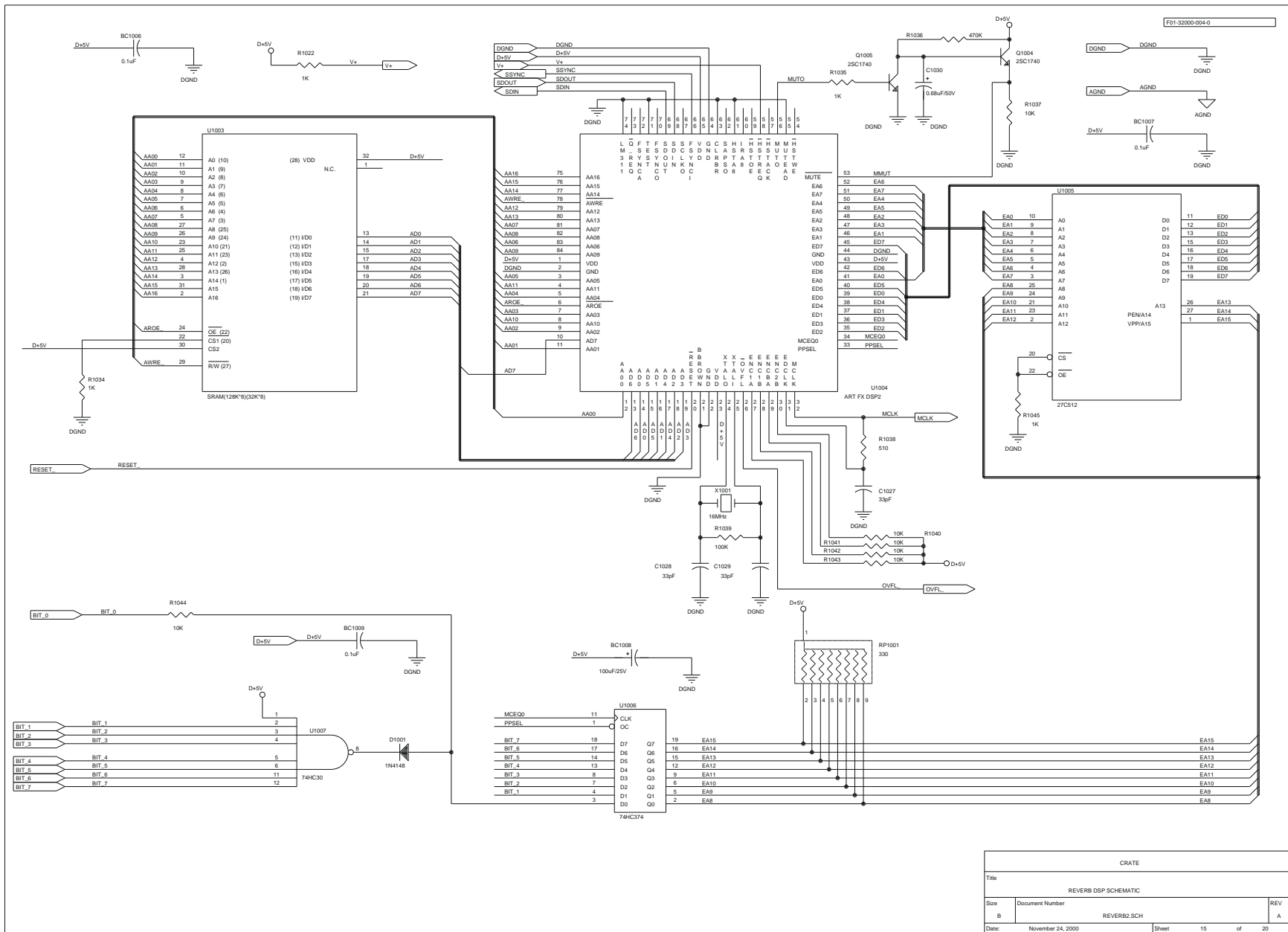
CRATE			
Title	PX807LX MON/EFF/CUE SUM		
Size	Document Number	MON_EFF_SCH	REV A
Date	November 24, 2000	Sheet 12	of 20



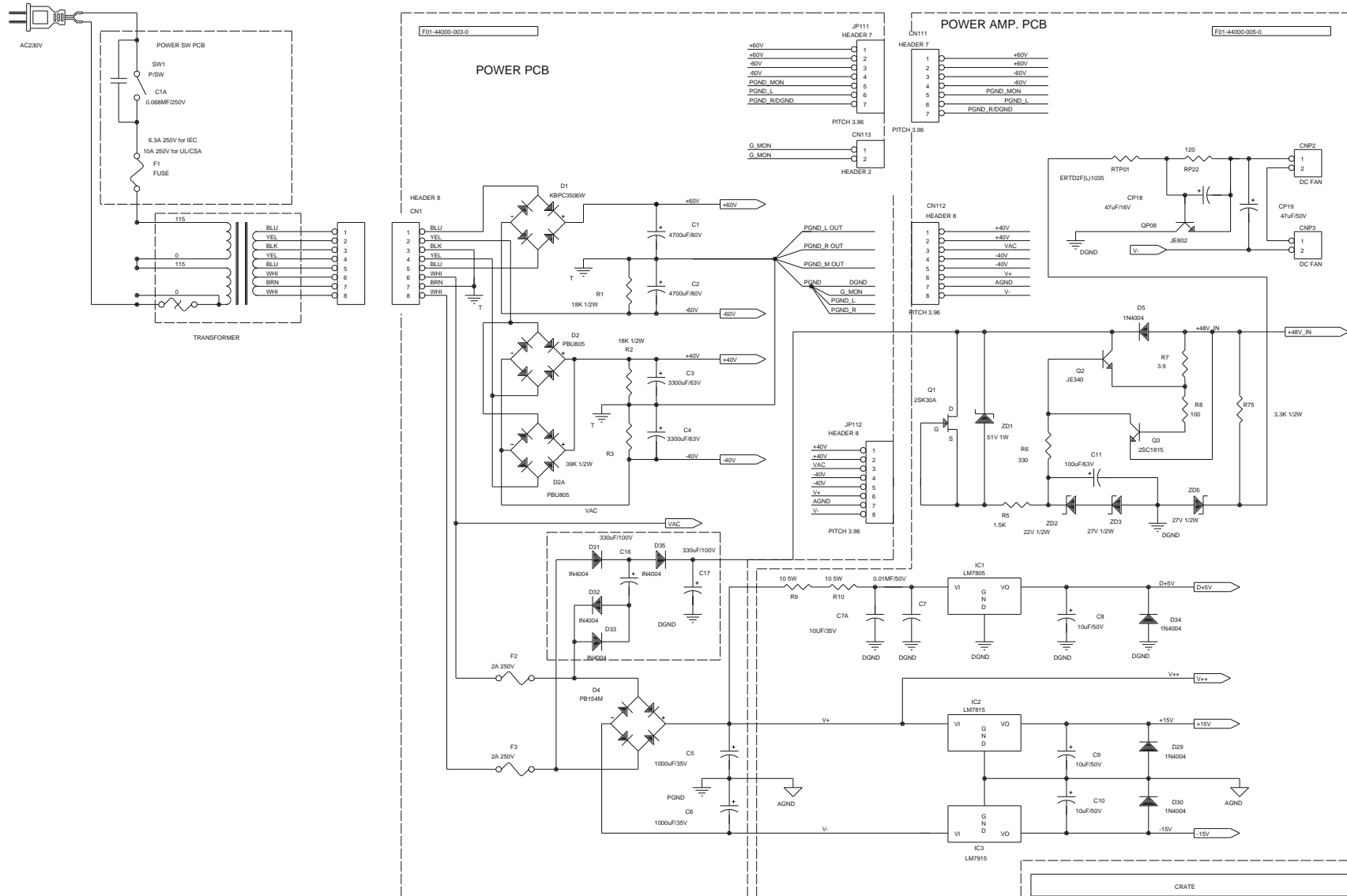
CRATE			
Title			
FX800TLX DISPLAY&PRE AMP			
Size	Document Number		REV
B	DISPLAY.SCH		A
Date:	November 24, 2000	Sheet	13 of 20



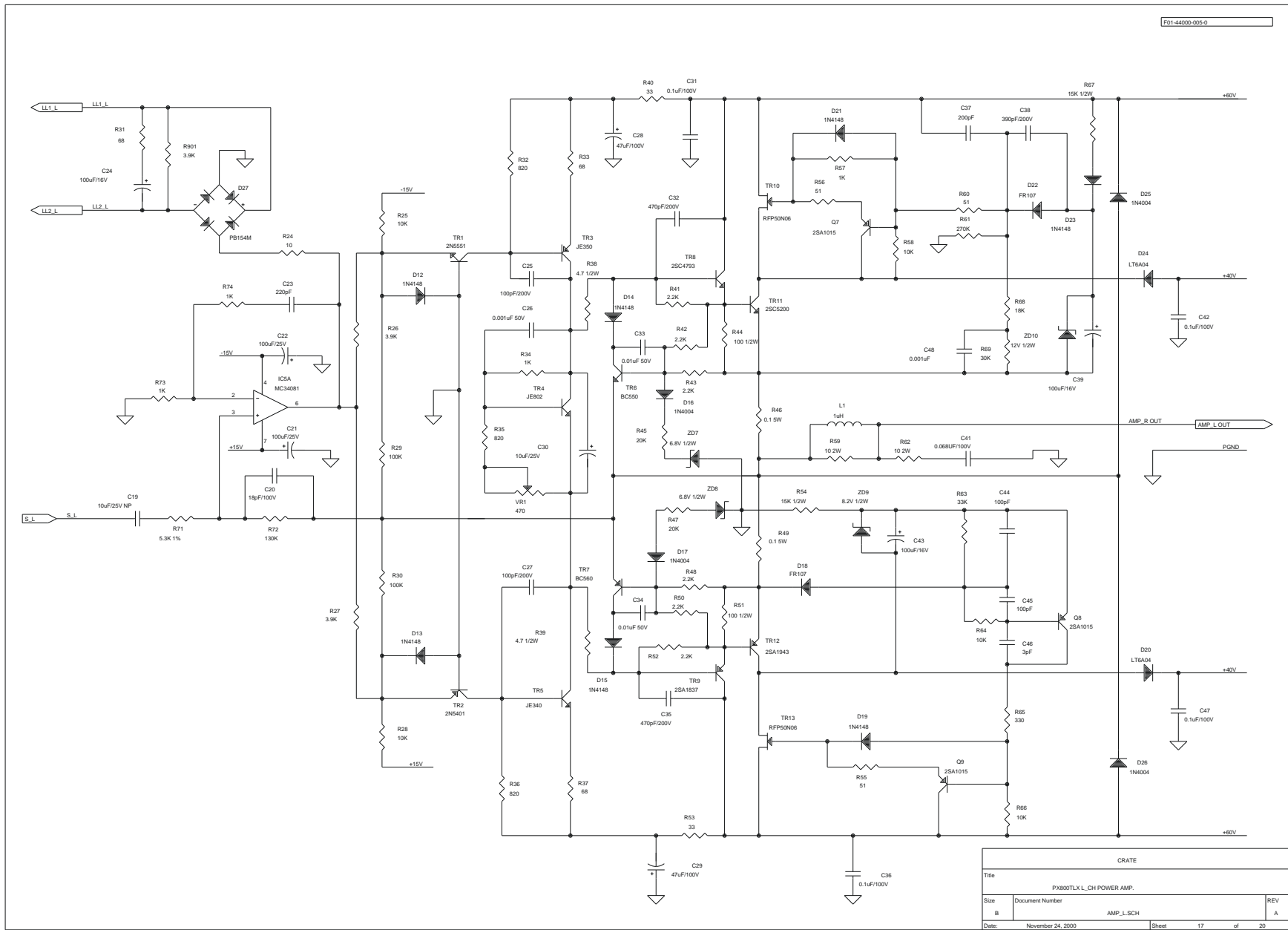
CRATE			
Title	REVERB A/D/D/A SCHEMATIC		
Size	Document Number	REV	
B	REVERB1.SCH	A	
Date:	November 24, 2000	Sheet	14 of 20



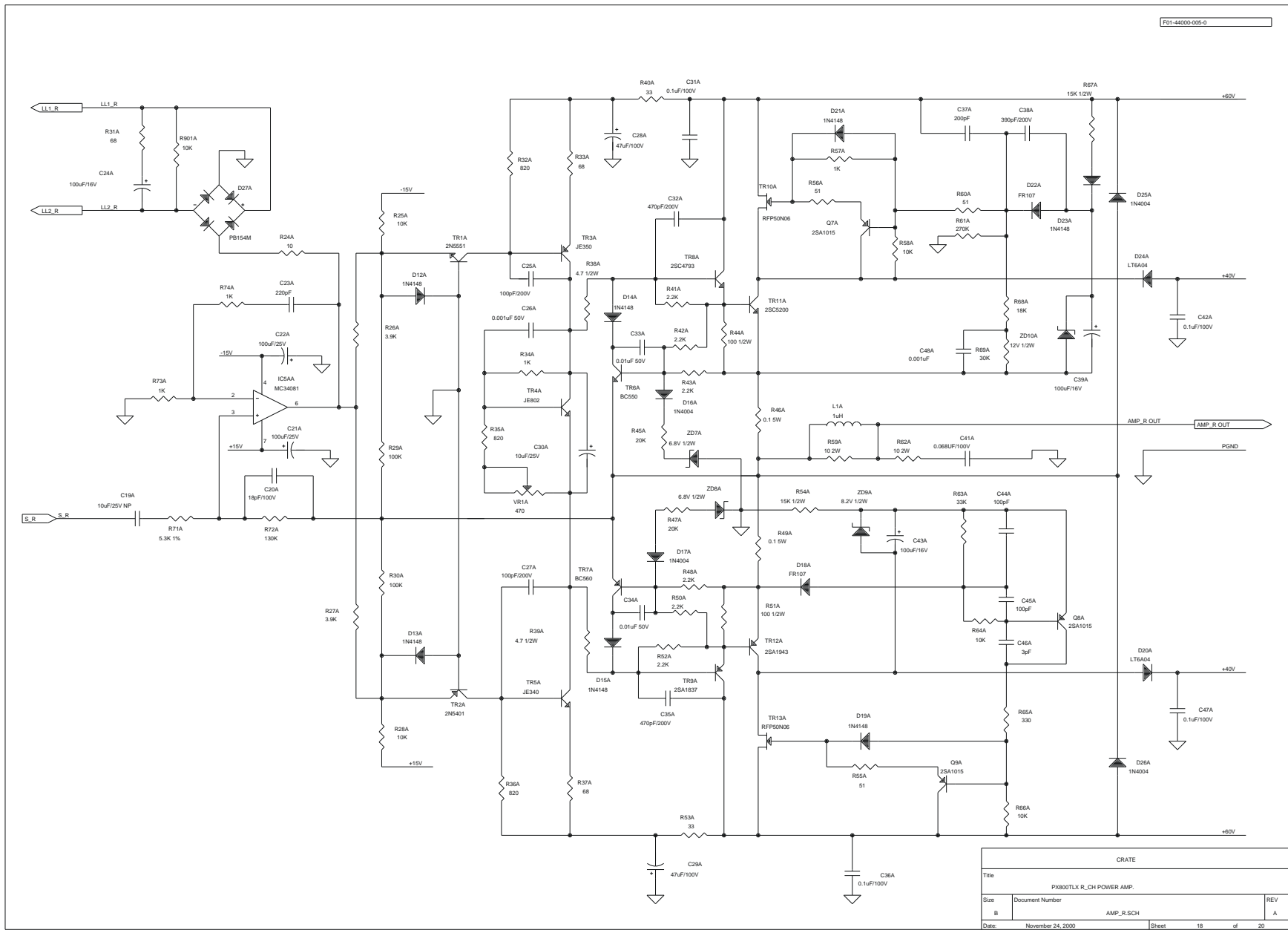
CRATE		
Title		
REVERB DSP SCHEMATIC		
Size	Document Number	REV
B	REVERB2.SCH	A
Date:	November 24, 2000	Sheet 15 of 20



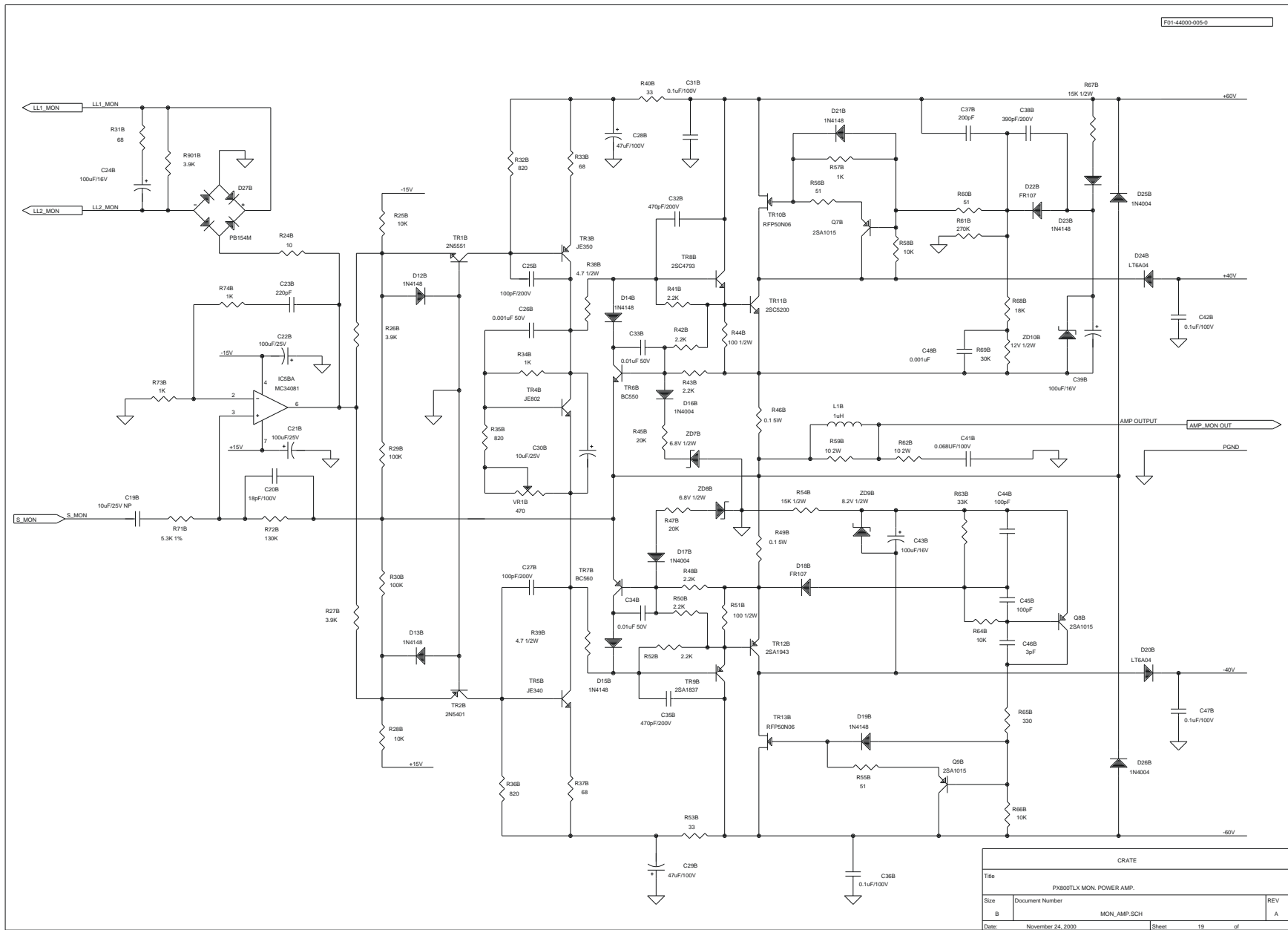
CRATE		
Title FX800TLX POWER SUPPLY		
Size B	Document Number POWER.SCH	REV A
Date: November 24, 2000	Sheet 16	of 20



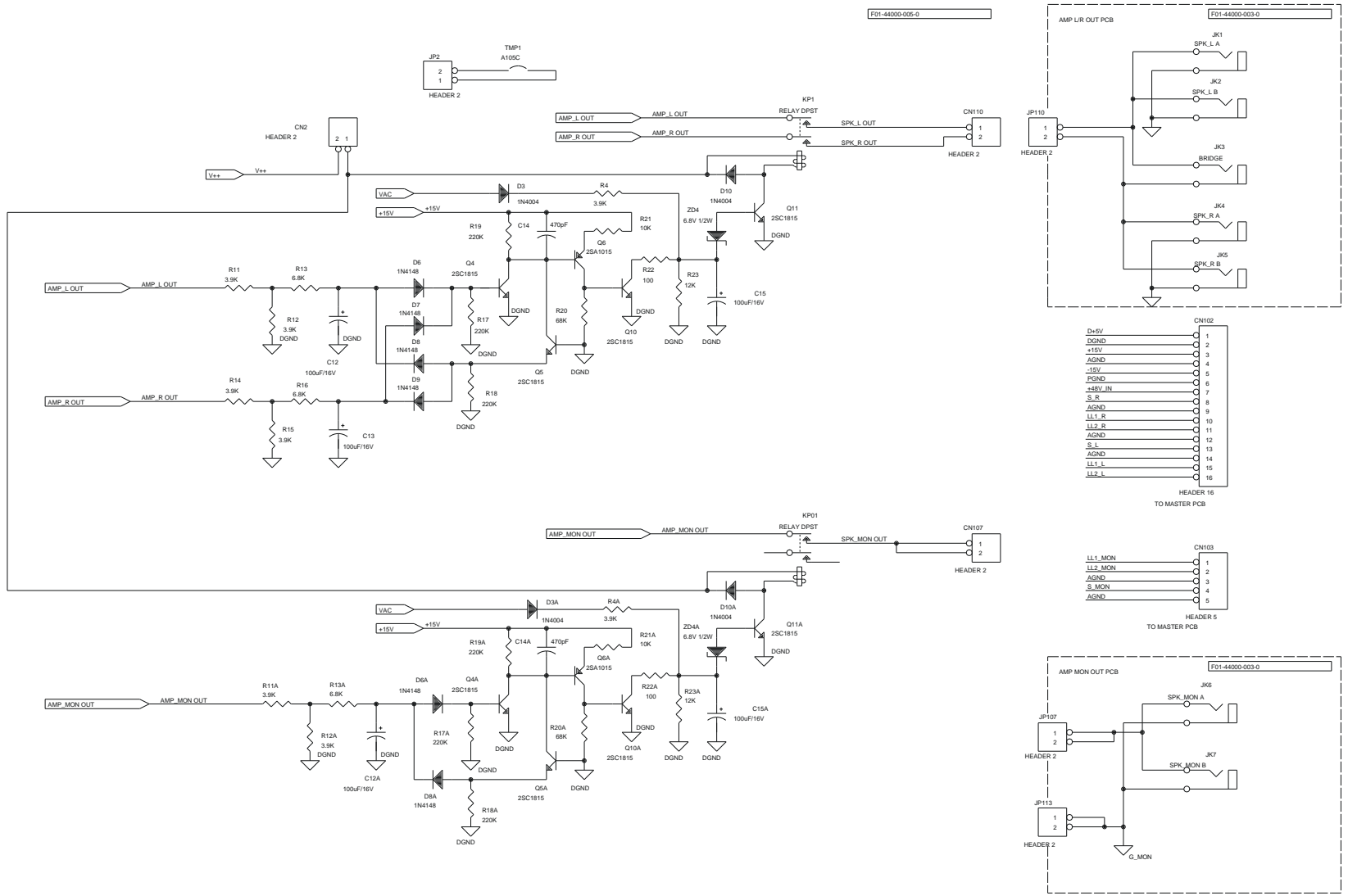
CRATE			
Title	PX800TLX_L_CH POWER AMP.		
Size	Document Number	REV	
B	AMP_L.SCH	A	
Date:	November 24, 2000	Sheet	17 of 20



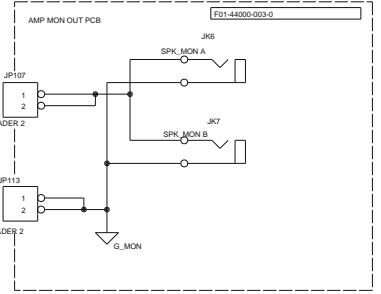
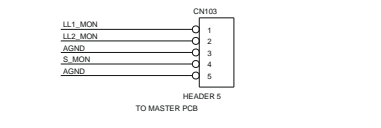
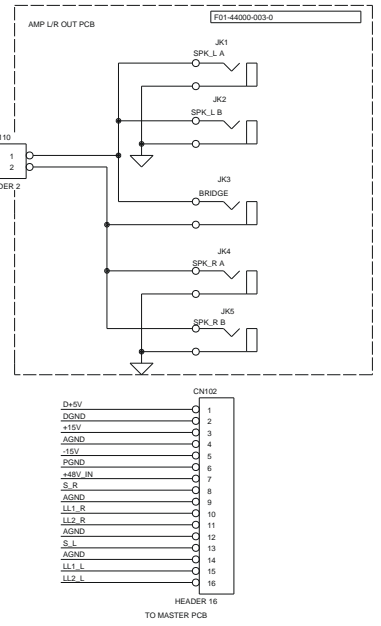
CRATE		
Title	PX800TLX R_CH POWER AMP.	
Size	Document Number	REV
B	AMP_R.SCH	A
Date:	November 24, 2000	Sheet 18 of 20



CRATE		
Title		
PX900TLX MON. POWER AMP.		
Size	Document Number	REV
B	MON_AMP.SCH	A
Date:	November 24, 2000	Sheet 19 of



FD1-44000-005-0



CRATE			
Title			
PX800TLX RELAY&OUTPUT			
Size	Document Number	REV	
B	RLY_OUT.SCH	A	
Date:	November 24, 2000	Sheet	20 of 20