

CONDITIONS: INPUT IS A 1KHZ SINE WAVE. BIAS IS 1.5mV ACROSS R127 & R138 & IS SET WITH NO LOAD, NO INPUT & SET WITHIN 15sec. FROM COLD START

| TP | WAVEFORM | AC RMS | DC     |
|----|----------|--------|--------|
| 1  |          | 1V     | —      |
| 2  |          | 3.8V   | 1.7V   |
| 3  |          | 3.8V   | -1.9V  |
| 4  |          | 1.75V  | 37.3V  |
| 5  |          | 1.6V   | 37.7V  |
| 6  |          | 1.4V   | 38.3V  |
| 7  |          | 1.8V   | -36.8V |
| 8  |          | 1.65V  | -37.1V |
| 9  |          | 1.5V   | -38V   |
| 10 |          | 23.2V  | 0V     |
| 11 |          | 1V     | —      |
| 12 |          | 3.8V   | 1.7V   |
| 13 |          | 3.8V   | -1.9V  |
| 14 |          | 1.75V  | 37.3V  |
| 15 |          | 1.6V   | 37.7V  |
| 16 |          | 1.4V   | 38.3V  |
| 17 |          | 1.8V   | -36.8V |
| 18 |          | 1.65V  | -37.1V |
| 19 |          | 1.5V   | -38V   |
| 20 |          | 23.2V  | 0V     |

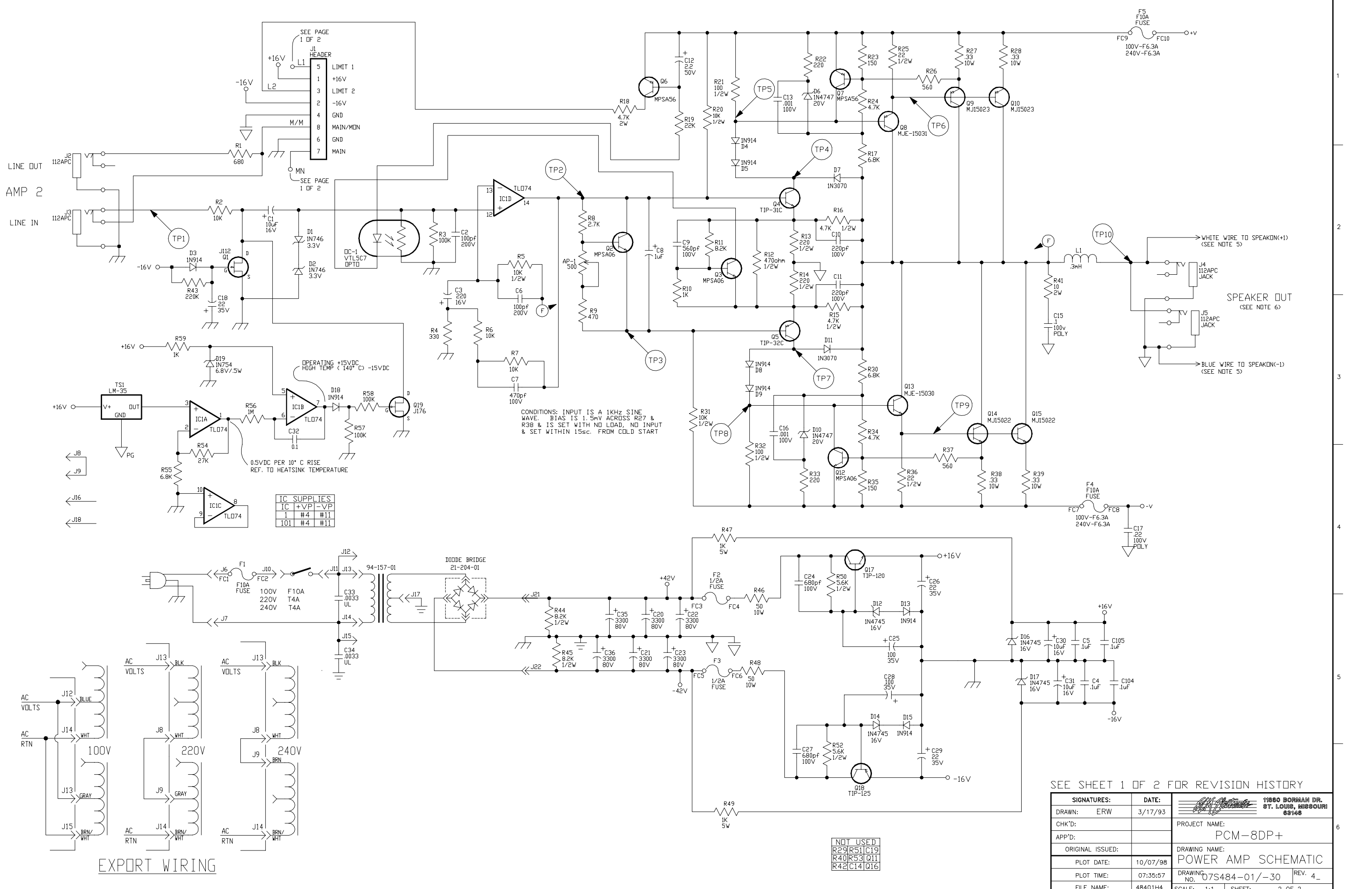
| NOT USED |           |
|----------|-----------|
| R129     | R144-R153 |
| R140     | C119-C131 |
| Q111     | C133-C136 |
|          | D112-D117 |
|          | Q116-Q118 |

- NOTES
- CAUTION: SHOCK HAZARD!! THIS UNIT CONTAINS HAZARDOUS VOLTAGE. DISCONNECT POWER AND BE SURE POWER SUPPLY IS DISCHARGED BEFORE TOUCHING INTERNAL PARTS.
  - UNLESS NOTED, RESISTOR VALUES IN OHMS, 1/4W-5% TOL. CAPACITOR VALUES IN MICROFARADS, 50V-10% TOL.
  - VOLTAGES ARE MEASURED WITH 1 MEGOHM OSCILLOSCOPE AND 10 MEGOHM DIGITAL VOLTMETER.
  - CIRCUIT GROUND  $\nabla$  SWITCH GROUND  $\nabla$  CHASSIS GROUND  $\nabla$  LED GROUND  $\nabla$
  - USED ON "W" VERSIONS ONLY.
  - J5 AND J105 NOT USED ON "W" VERSIONS.

| REV | DATE     | BY  | CHK'D | DESCRIPTION                                                                 |
|-----|----------|-----|-------|-----------------------------------------------------------------------------|
| 5   |          |     |       |                                                                             |
| 4   | 7-6-98   | RLB |       | UPDATE TO AGREE WITH PICTORIAL PER ECO 970710                               |
| 3   | 06/11/97 | SWR |       | SHOWED "W" VERSION SPEAKON CONNECTIONS & ADDED NOTES 5 & 6 PER ECO #970232. |
| 2   | 02/17/97 | MAG |       | CHG'D FUSE CLIPS AND FUSES PER ECO 970066.                                  |
| 1   | 08/08/94 | LMA |       | CHG NAME FROM PCM-8D TO PCM-8DP+ DOC CHG ONLY-(NO REV CHG)                  |
| 1   | 06/18/94 | LMA |       | REV CHG TO REFLECT JUMPER CHG PER E150                                      |

|                  |          |                                      |                                                  |
|------------------|----------|--------------------------------------|--------------------------------------------------|
| SIGNATURES:      | DATE:    |                                      | 11860 BORMAN DR.<br>ST. LOUIS, MISSOURI<br>63148 |
| DRAWN: ERW       | 3/17/93  |                                      |                                                  |
| CHK'D:           |          | PROJECT NAME:<br>PCM-8DP+            |                                                  |
| APP'D:           |          | DRAWING NAME:<br>POWER AMP SCHEMATIC |                                                  |
| ORIGINAL ISSUED: |          | DRAWING NO. 07S484-01/-30            | REV. 4                                           |
| PLOT DATE:       | 10/07/98 | SCALE: 1:1                           | SHEET: 1 OF 2                                    |
| PLOT TIME:       | 07:35:57 |                                      |                                                  |
| FILE NAME:       | 48401H4  |                                      |                                                  |



LINE OUT  
AMP 2  
LINE IN

SPEAKER OUT  
(SEE NOTE 6)

CONDITIONS: INPUT IS A 1KHz SINE WAVE. BIAS IS 1.5mV ACROSS R27 & R38 & IS SET WITH NO LOAD, NO INPUT & SET WITHIN 15sec. FROM COLD START

| IC SUPPLIES |     |     |
|-------------|-----|-----|
| IC          | +VP | -VP |
| 1           | #4  | #11 |
| 101         | #4  | #11 |

OPERATING +15VDC HIGH TEMP (140° C) -15VDC  
0.5VDC PER 10° C RISE REF. TO HEATSINK TEMPERATURE

EXPORT WIRING

SEE SHEET 1 OF 2 FOR REVISION HISTORY

| SIGNATURES:      |            | DATE:         | 11860 BORMAN DR.<br>ST. LOUIS, MISSOURI<br>63148 |
|------------------|------------|---------------|--------------------------------------------------|
| DRAWN:           | ERW        | 3/17/93       |                                                  |
| CHK'D:           |            |               | PROJECT NAME:                                    |
| APP'D:           |            |               | PCM-8DP+                                         |
| ORIGINAL ISSUED: |            |               | DRAWING NAME:                                    |
| PLOT DATE:       | 10/07/98   |               | POWER AMP SCHEMATIC                              |
| PLOT TIME:       | 07:35:57   |               | DRAWING NO. 07S484-01/-30                        |
| FILE NAME:       | 48401H4-   |               | REV. 4                                           |
|                  | SCALE: 1:1 | SHEET: 2 OF 2 |                                                  |

NOT USED  
R29 R51 C19  
R40 R53 Q11  
R42 C14 Q16