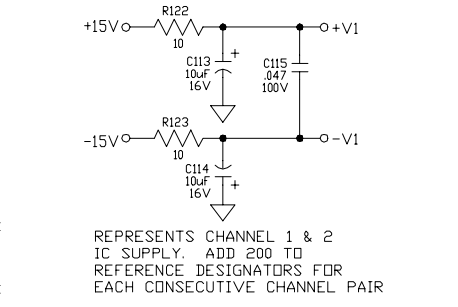


NOTE:
THIS SECTION OF THE SCHEMATIC REFLECTS CHANNEL 1.
EACH CHANNEL'S DESIGNATORS TO BE PRECEDED WITH THE NUMBER OF THE CHANNEL.
FOR EXAMPLE R101 FOR CHANNEL 1
R201 FOR CHANNEL 2

CHANNEL 1 USES IC101 A, IC102 A, IC103 A
CHANNEL 2 USES IC101 B, IC102 B, IC103 B
CHANNEL 3 USES IC301 A, IC302 A, IC303 A
CHANNEL 4 USES IC301 B, IC302 B, IC303 B
CHANNEL 5 USES IC501 A, IC502 A, IC503 A
CHANNEL 6 USES IC501 B, IC502 B, IC503 B



REPRESENTS CHANNEL 1 & 2
IC SUPPLY. ADD 200 TO
REFERENCE DESIGNATORS FOR
EACH CONSECUTIVE CHANNEL PAIR

TEST POINTS	WAVEFORM	VOLTAGE (rms)	VOLTAGE (DC)
1		25mV	—
2		37mV	—
3		1.8V	—
4		1.85	—

CONDITIONS:
CHANNELS: LOW, MID, HIGH @ "5". EVERYTHING ELSE @ "10"
MASTER: MAIN & MONITOR E.Q. SET FLAT. REV/EFF BALANCE
SINE WAVE INPUT @ 1KHz.

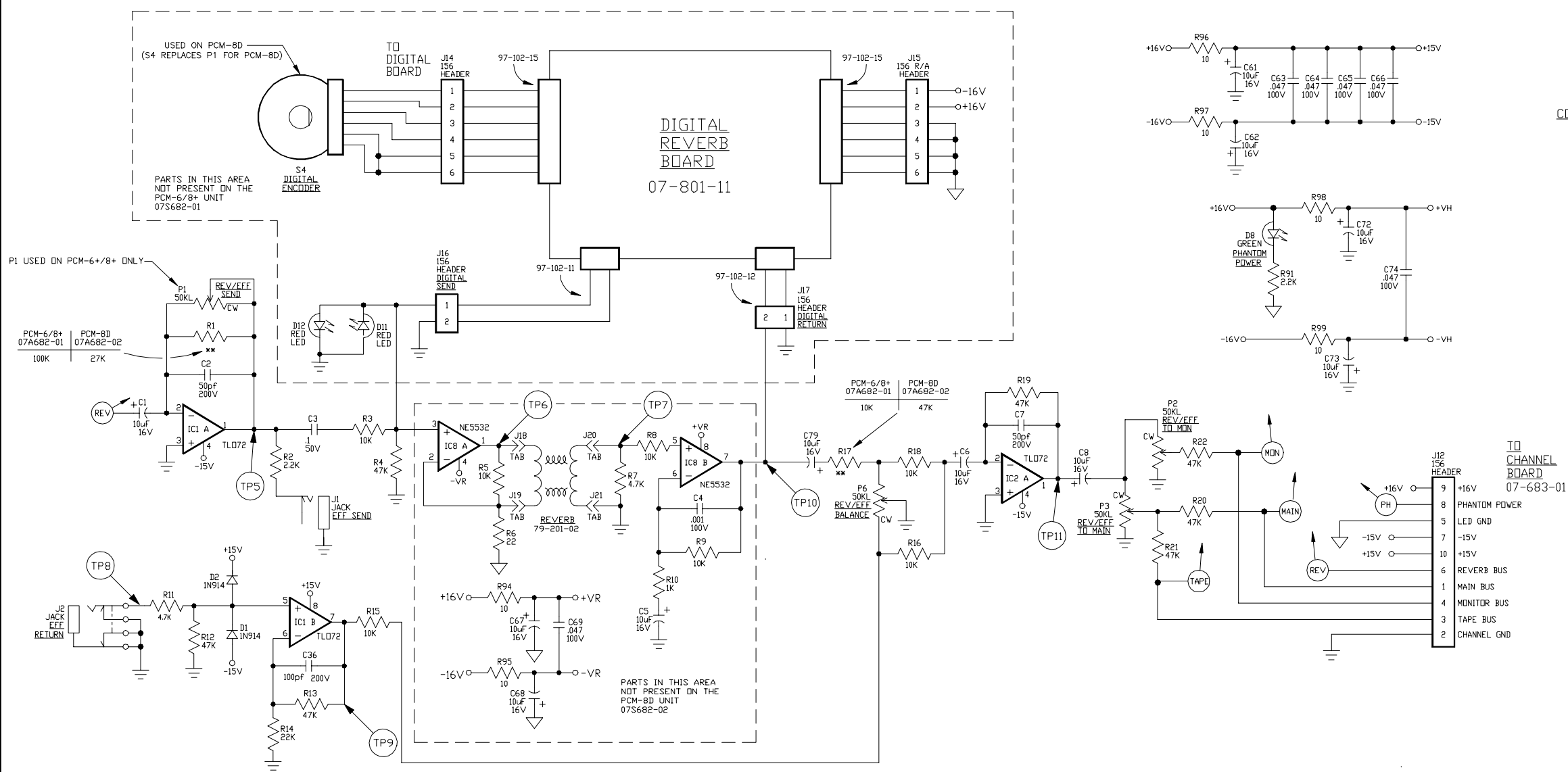
TEST POINTS	WAVEFORM	VOLTAGE (rms)	VOLTAGE (DC)
5		.9V	—
6		5.64V	—
7		25mV	—
8		25mV	—
9		75mV	—
10		.27V	—
* 11		.7V	—
12		25mV	—
13		60mV	—
14		1.41V	—
15		1.33V	—
16		1.33V	—
17		1.3V	—
18		1.37V	—
19		1.37V	—
20		1.31V	—
21		4.5V	—
22		4.5V	—
23	—	—	+16V

CONDITIONS:
CHANNELS: LOW, MID, HIGH @ "5". EVERYTHING ELSE @ "10"
MASTER: MAIN & MONITOR E.Q. SET FLAT., REV/EFF BALANCE @ "5"
ALL OTHER CONTROLS @ "10".
SINE WAVE INPUT @ 1KHz.

*NOTE: SIGNAL APPLIED TO TEST POINTS 7 & 8 ONLY
ON TEST POINT 11.

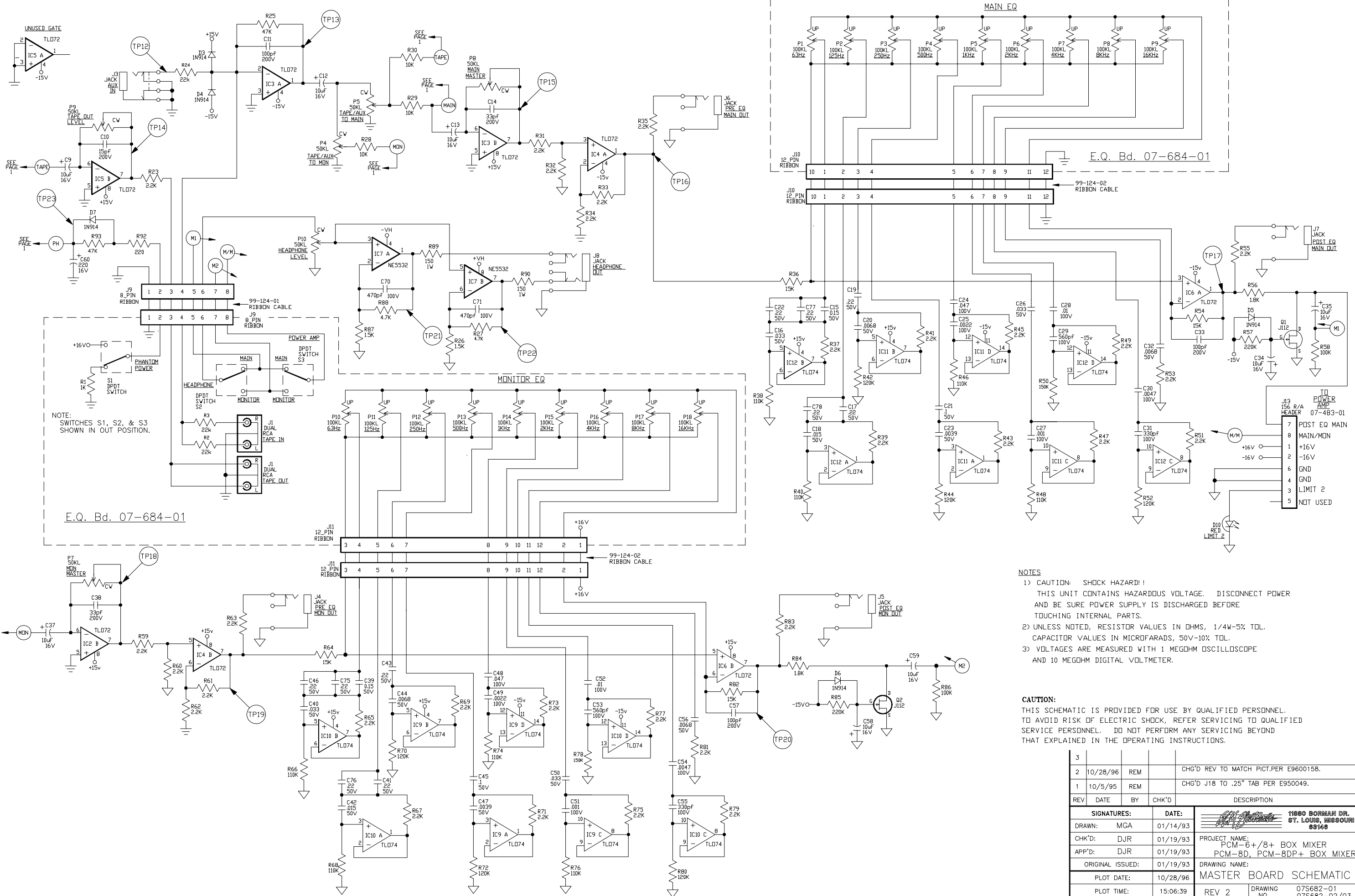
CAUTION:
THIS SCHEMATIC IS PROVIDED FOR USE BY QUALIFIED PERSONNEL.
TO AVOID RISK OF ELECTRIC SHOCK, REFER SERVICING TO QUALIFIED
SERVICE PERSONNEL. DO NOT PERFORM ANY SERVICING BEYOND
THAT EXPLAINED IN THE OPERATING INSTRUCTIONS.

- NOTES
- 1) CAUTION: SHOCK HAZARD!
THIS UNIT CONTAINS HAZARDOUS VOLTAGE. DISCONNECT POWER
AND BE SURE POWER SUPPLY IS DISCHARGED BEFORE
TOUCHING INTERNAL PARTS.
 - 2) UNLESS NOTED, RESISTOR VALUES IN OHMS, 1/4W-5% TOL.
CAPACITOR VALUES IN MICROFARADS, 50V-10% TOL.
 - 3) VOLTAGES ARE MEASURED WITH 1 MEGOHM OSCILLOSCOPE
AND 10 MEGOHM DIGITAL VOLTMETER.



REV	DATE	BY	CHK'D	DESCRIPTION
3				
2	10/28/96	REM		CHG'D REV TO MATCH PICT.PER E9600158.
1	10/5/95	REM		CHG'D J18 TO .25" TAB PER E950049.

SIGNATURES:	DATE:	11880 BORNAN DR. ST. LOUIS, MISSOURI 63146
DRAWN: MGA	01/14/93	
CHK'D: DJR	01/19/93	PROJECT NAME: PCM-6+/8+ BOX MIXER
APP'D: DJR	01/19/93	PCM-8D, PCM-8DP+ BOX MIXER
ORIGINAL ISSUED:	01/19/93	DRAWING NAME: MASTER BOARD SCHEMATIC
PLOT DATE:	10/28/96	
PLOT TIME:	15:06:39	REV 2
FILE NAME:	68201h2_	DRAWING NO. 075682-01 075682-02/03
		SCALE: NONE
		SHEET: 1 OF 2



NOTES

- 1) CAUTION: SHOCK HAZARD!! THIS UNIT CONTAINS HAZARDOUS VOLTAGE. DISCONNECT POWER AND BE SURE POWER SUPPLY IS DISCHARGED BEFORE TOUCHING INTERNAL PARTS.
- 2) UNLESS NOTED, RESISTOR VALUES IN OHMS, 1/4W-5% TOL. CAPACITOR VALUES IN MICROFARADS, 50V-10% TOL.
- 3) VOLTAGES ARE MEASURED WITH 1 MEGOHM OSCILLOSCOPE AND 10 MEGOHM DIGITAL VOLTMETER.

CAUTION:
THIS SCHEMATIC IS PROVIDED FOR USE BY QUALIFIED PERSONNEL. TO AVOID RISK OF ELECTRIC SHOCK, REFER SERVICING TO QUALIFIED SERVICE PERSONNEL. DO NOT PERFORM ANY SERVICING BEYOND THAT EXPLAINED IN THE OPERATING INSTRUCTIONS.

3				
2	10/28/96	REM		CHG'D REV TO MATCH PICT.PER E9600158.
1	10/5/95	REM		CHG'D J18 TO .25" TAB PER E950049.
REV	DATE	BY	CHK'D	DESCRIPTION
SIGNATURES:		DATE:	11880 BORNAN DR. ST. LOUIS, MISSOURI 63146	
DRAWN:	MGA	01/14/93		
CHK'D:	DJR	01/19/93	PROJECT NAME: PCM-6+/8+ BOX MIXER	
APP'D:	DJR	01/19/93	PCM-8D, PCM-8DP+ BOX MIXER	
ORIGINAL ISSUED:	01/19/93	DRAWING NAME: MASTER BOARD SCHEMATIC		
PLOT DATE:	10/28/96			
PLOT TIME:	15:06:39	REV 2	DRAWING NO.	075682-01
FILE NAME:	68201h2_	SCALE: NONE	SHEET:	2 OF 2