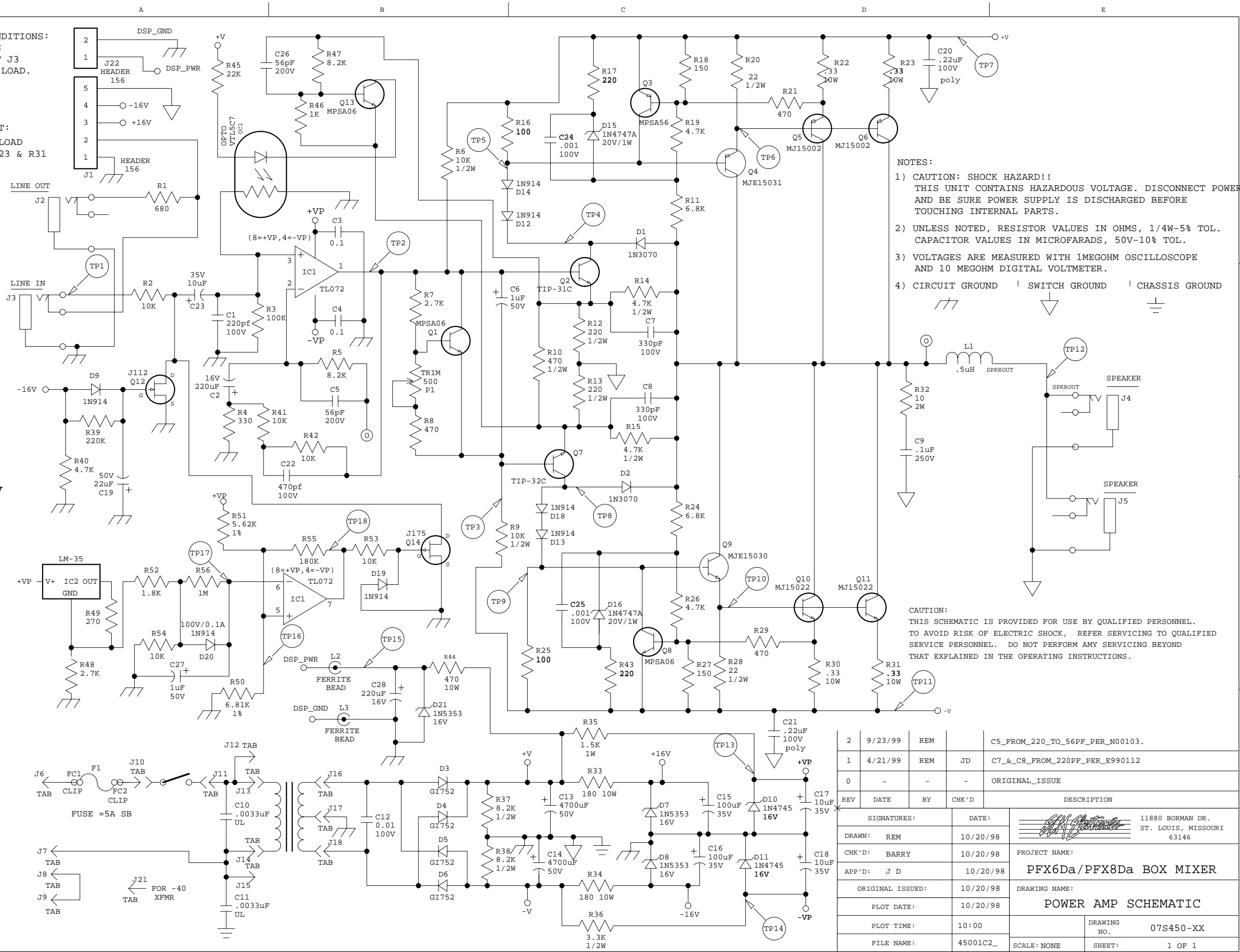


TEST POINT	WAVE FORM	VOLTAGE Vrms	VOLTAGE VDC
1		1	—
2		2.79	1.13
3		2.90	-1.59
4		1.32	37.5
5		.87	38.5
6		.73	38.9
7		.55	39.8
8		1.16	-37.2
9		.95	-38.5
10		.58	-39.2
11		.52	-39.4
12		22.5	—
13		—	16.2
14		—	-16
15		—	16
16		—	8.98
17		—	3 *
18		—	15.6

TEST POINT CONDITIONS:
1 KHZ SINWAVE
1Vrms INPUT AT J3
WITH AN 8 OHM LOAD.

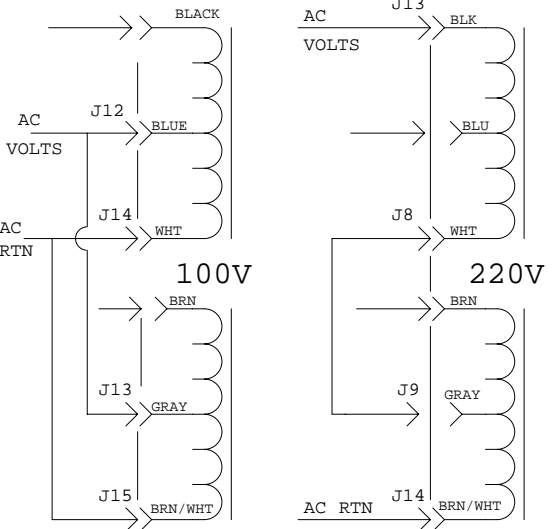
BIAS ADJUSTMENT:
NO SIGNAL, NO LOAD
2mVDC ACROSS R23 & R31

* varies with temperature



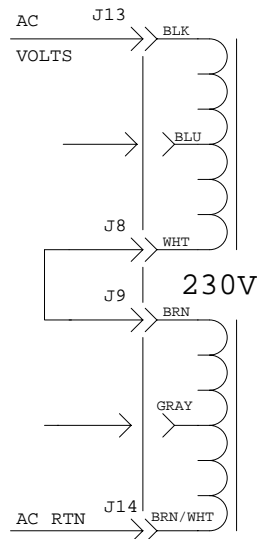
- NOTES:
- 1) CAUTION: SHOCK HAZARD!! THIS UNIT CONTAINS HAZARDOUS VOLTAGE. DISCONNECT POWER AND BE SURE POWER SUPPLY IS DISCHARGED BEFORE TOUCHING INTERNAL PARTS.
 - 2) UNLESS NOTED, RESISTOR VALUES IN OHMS, 1/4W-5% TOL. CAPACITOR VALUES IN MICROFARADS, 50V-10% TOL.
 - 3) VOLTAGES ARE MEASURED WITH 1MEGOHM OSCILLOSCOPE AND 10 MEGOHM DIGITAL VOLTMETER.
 - 4) CIRCUIT GROUND | SWITCH GROUND | CHASSIS GROUND

CAUTION:
THIS SCHEMATIC IS PROVIDED FOR USE BY QUALIFIED PERSONNEL.
TO AVOID RISK OF ELECTRIC SHOCK, REFER SERVICING TO QUALIFIED SERVICE PERSONNEL. DO NOT PERFORM ANY SERVICING BEYOND THAT EXPLAINED IN THE OPERATING INSTRUCTIONS.

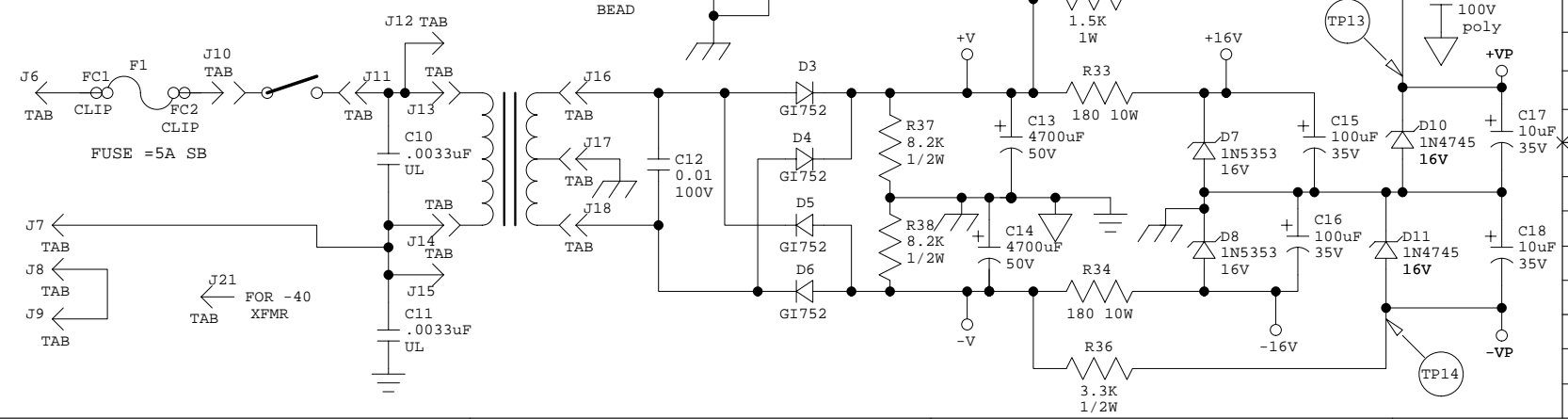


EXPORT WIRING
FUSE = 5A SB

EXPORT WIRING
FUSE = 2.5A SB



EXPORT WIRING
FUSE = 2.5A SB



REV	DATE	BY	CHK'D	DESCRIPTION
2	9/23/99	REM		C5_FROM_220_TO_56PF_PER_N00103.
1	4/21/99	REM	JD	C7_&_C8_FROM_220PF_PER_E990112
0	-	-	-	ORIGINAL_ISSUE

SIGNATURES:		DATE:		DESCRIPTION	
DRAWN:	REM	DATE:	10/20/98	11880 BORMAN DR. ST. LOUIS, MISSOURI 63146	
CHK'D:	BARRY	DATE:	10/20/98	PROJECT NAME: PFX6Da/PFX8Da BOX MIXER	
APP'D:	J D	DATE:	10/20/98	DRAWING NAME: POWER AMP SCHEMATIC	
ORIGINAL ISSUED:	10/20/98			DRAWING NO.: 07S450-XX	
PLOT DATE:	10/20/98			SCALE: NONE	
PLOT TIME:	10:00			SHEET: 1 OF 1	
FILE NAME:	45001C2_				