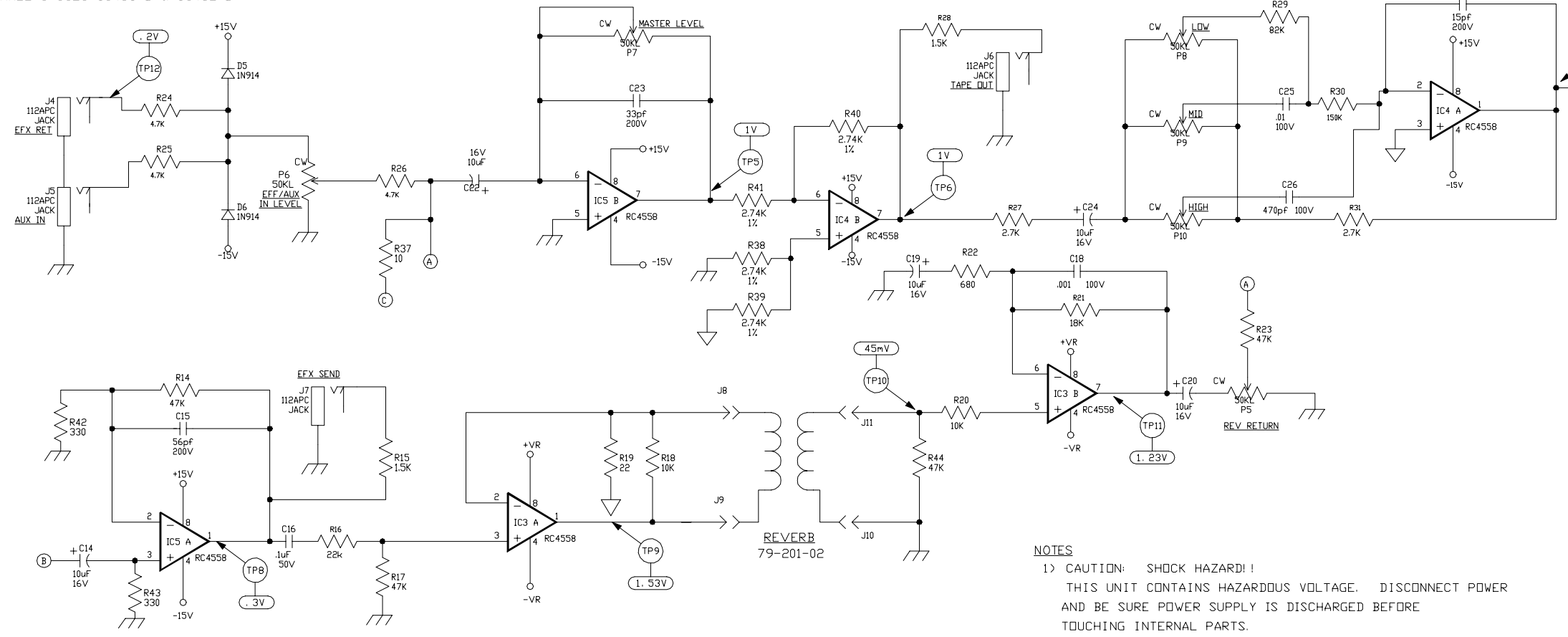
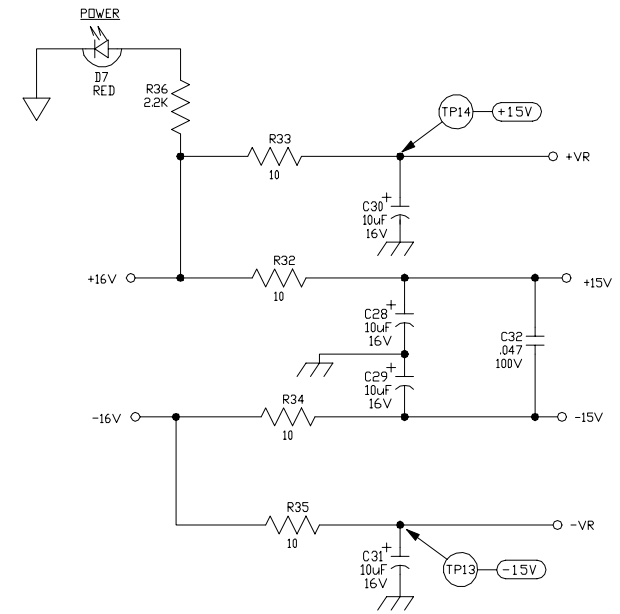


THIS SECTION OF THE SCHEMATIC REFLECTS CHANNEL 1 CHANNELS 2, 3, 4, 5 & 6 ARE THE SAME AS CHANNEL ONE WITH DESIGNATORS ADJUSTED EACH CHANNEL'S DESIGNATORS ARE INCREMENTED BY 100 FOR EXAMPLE, R1 = CHANNEL 1, R101 = CHANNEL 2 (ETC)

CHANNEL 1 USES IC1 A & IC2 A  
 CHANNEL 2 USES IC1 B & IC2 B  
 CHANNEL 3 USES IC201 A & IC202 A  
 CHANNEL 4 USES IC201 B & IC202 B  
 CHANNEL 5 USES IC401 A & IC402 A  
 CHANNEL 6 USES IC401 B & IC402 B



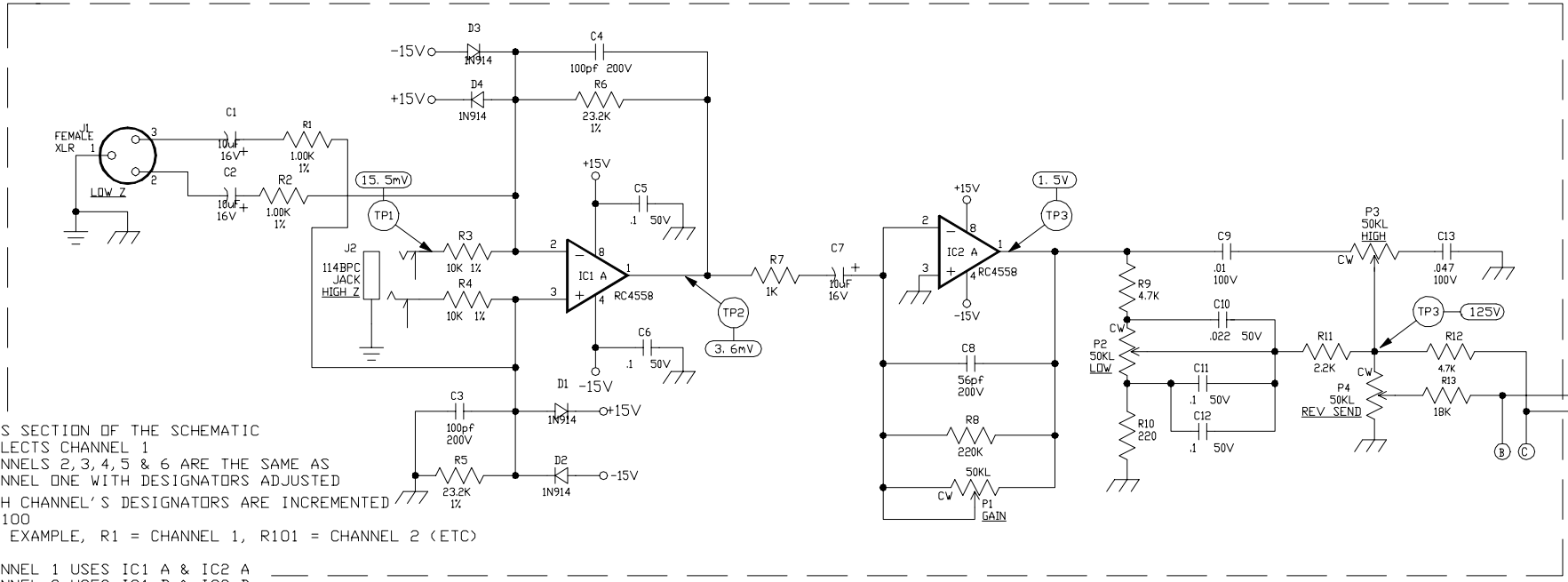
DESIGNATOR	PART #	DESCRIPTION
J1	39-312-01	RE-AN X702-03 FEM XLR
J2	39-114-02	114BPC 1/4" JACK
J3	17-310-05	MPSS156-5-D HEADER
J4	39-012-01	112APC 1/4" JACK
J5	39-012-01	112APC 1/4" JACK
J6	39-012-01	112APC 1/4" JACK
J7	39-012-01	112APC 1/4" JACK
J8	17-894-01	.187" PCTAB
J9	17-836-01	.250" PCTAB
J10	17-894-01	.187" PCTAB
J11	17-894-01	.187" PCTAB
J12	17-310-05	MPSS156-5-D HEADER
J101	39-312-01	RE-AN X702-03 FEM XLR
J102	39-114-02	114BPC 1/4" JACK
J201	39-312-01	RE-AN X702-03 FEM XLR
J202	39-114-02	114BPC 1/4" JACK
J301	39-312-01	RE-AN X702-03 FEM XLR
J302	39-114-02	114BPC 1/4" JACK
J401	39-312-01	RE-AN X702-03 FEM XLR
J402	39-114-02	114BPC 1/4" JACK
J501	39-312-01	RE-AN X702-03 FEM XLR
J502	39-114-02	114BPC 1/4" JACK

ASSY # 07-649-01

- NOTES**
- 1) CAUTION: SHOCK HAZARD!! THIS UNIT CONTAINS HAZARDOUS VOLTAGE. DISCONNECT POWER AND BE SURE POWER SUPPLY IS DISCHARGED BEFORE TOUCHING INTERNAL PARTS.
  - 2) UNLESS NOTED, RESISTOR VALUES IN OHMS, 1/4W-5% TOL. CAPACITOR VALUES IN MICROFARADS, 50V-10% TOL.
  - 3) VOLTAGES ARE MEASURED WITH 1 MEGOHM OSCILLOSCOPE AND 10 MEGOHM DIGITAL VOLTMETER.
  - 4) CIRCUIT GROUND  $\text{---}$  LED GROUND  $\text{---}$  CHASSIS GROUND  $\text{---}$
  - 5) TEST POINT CONDITIONS: 1KHz SINE WAVE WITH CHANNEL GAIN, AND REVERB @ "10" MASTER LEVEL, REVERB RETURN, EFFECTS RETURN @ "10" ALL OTHER CONTROLS @ "5" REVERB SEND HAS A 150ohm RESISTOR ACROSS R18

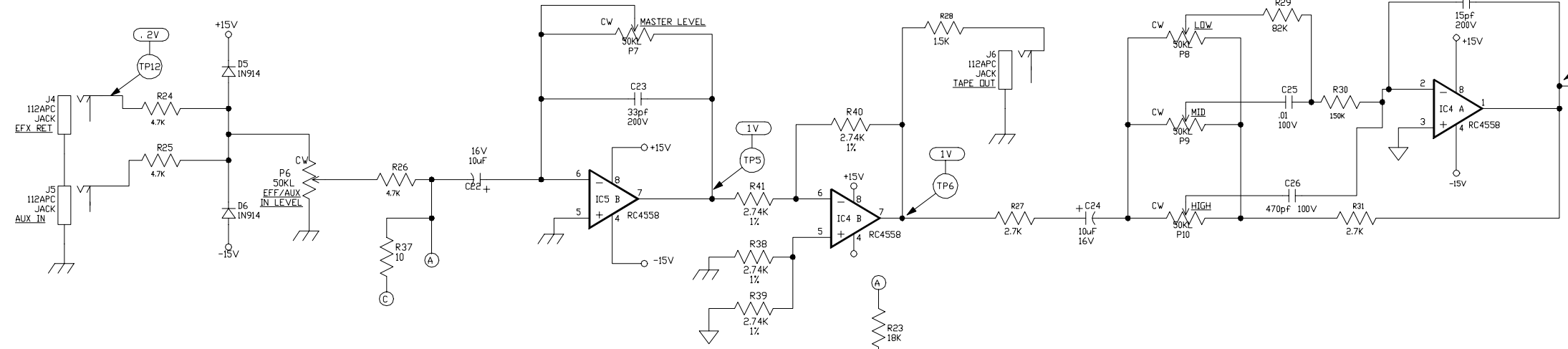
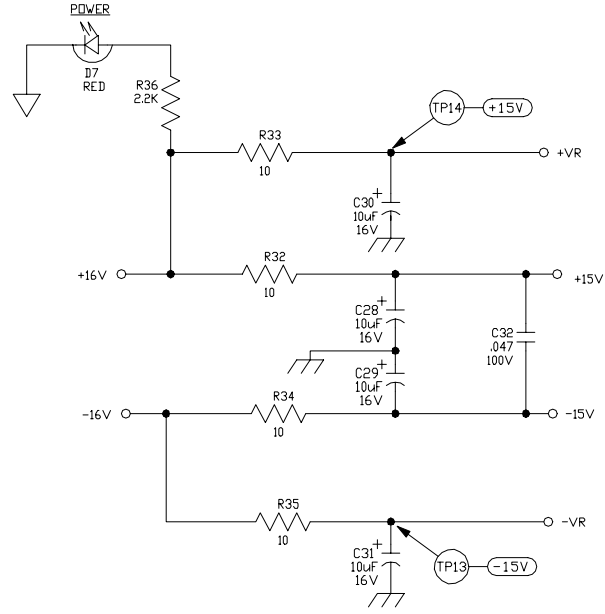
**CAUTION:**  
 THIS SCHEMATIC IS PROVIDED FOR USE BY QUALIFIED PERSONNEL. TO AVOID RISK OF ELECTRIC SHOCK, REFER SERVICING TO QUALIFIED SERVICE PERSONNEL. DO NOT PERFORM ANY SERVICING BEYOND THAT EXPLAINED IN THE OPERATING INSTRUCTIONS.

3				
1	2-25-99	RLB		ADDED -02 (PAGE 2)
0				ORIGINAL ISSUE
REV	DATE	BY	CHK'D	DESCRIPTION
SIGNATURES:		DATE:		 11880 BORNHAN DR. ST. LOUIS, MISSOURI 63148
DRAWN: MGA		02/01/99		
CHK'D: DJR		02/01/99		
APP'D: DJR		02/26/92		
ORIGINAL ISSUED:		02/01/99		
PLOT DATE: 02/26/99				DRAWING NAME: CHANNEL/MASTER BRD
PLOT TIME: 12:57:18				DRAWING NO. 07S649-XX
FILE NAME: 64999h0				SCALE: NONE SHEET: 1 OF 2



THIS SECTION OF THE SCHEMATIC REFLECTS CHANNEL 1 CHANNELS 2,3,4,5 & 6 ARE THE SAME AS CHANNEL ONE WITH DESIGNATORS ADJUSTED EACH CHANNEL'S DESIGNATORS ARE INCREMENTED BY 100 FOR EXAMPLE, R1 = CHANNEL 1, R101 = CHANNEL 2 (ETC)

CHANNEL 1 USES IC1 A & IC2 A  
 CHANNEL 2 USES IC1 B & IC2 B  
 CHANNEL 3 USES IC201 A & IC202 A  
 CHANNEL 4 USES IC201 B & IC202 B  
 CHANNEL 5 USES IC401 A & IC402 A  
 CHANNEL 6 USES IC401 B & IC402 B

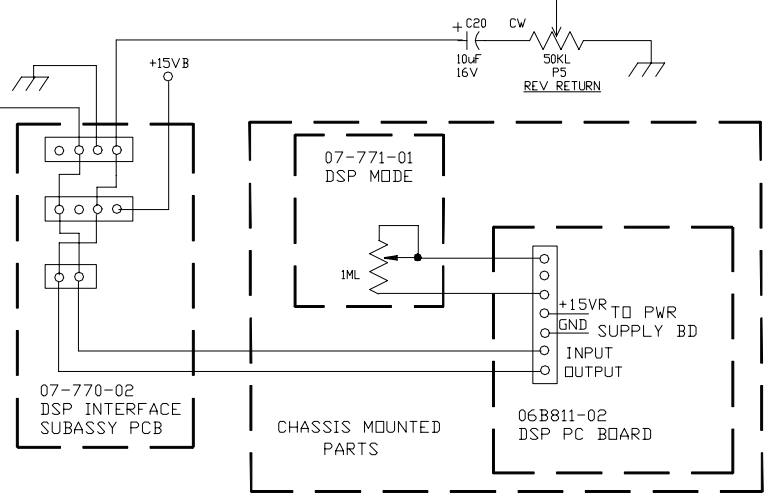



DESIGNATOR	PART #	DESCRIPTION
J1	39-312-01	RE-AN X702-03 FEM XLR
J2	39-114-02	114BPC 1/4" JACK
J3	17-310-05	MPSS156-5-D HEADER
J4	39-012-01	112APC 1/4" JACK
J5	39-012-01	112APC 1/4" JACK
J6	39-012-01	112APC 1/4" JACK
J7	39-012-01	112APC 1/4" JACK
J12	17-310-05	MPSS156-5-D HEADER
J101	39-312-01	RE-AN X702-03 FEM XLR
J102	39-114-02	114BPC 1/4" JACK
J201	39-312-01	RE-AN X702-03 FEM XLR
J202	39-114-02	114BPC 1/4" JACK
J301	39-312-01	RE-AN X702-03 FEM XLR
J302	39-114-02	114BPC 1/4" JACK
J401	39-312-01	RE-AN X702-03 FEM XLR
J402	39-114-02	114BPC 1/4" JACK
J501	39-312-01	RE-AN X702-03 FEM XLR
J502	39-114-02	114BPC 1/4" JACK

- NOTES**
- 1) CAUTION: SHOCK HAZARD!! THIS UNIT CONTAINS HAZARDOUS VOLTAGE. DISCONNECT POWER AND BE SURE POWER SUPPLY IS DISCHARGED BEFORE TOUCHING INTERNAL PARTS.
  - 2) UNLESS NOTED, RESISTOR VALUES IN OHMS, 1/4W-5% TOL. CAPACITOR VALUES IN MICROFARADS, 50V-10% TOL.
  - 3) VOLTAGES ARE MEASURED WITH 1 MEGOHM OSCILLOSCOPE AND 10 MEGOHM DIGITAL VOLTMETER.
  - 4) CIRCUIT GROUND  $\nabla$  LED GROUND  $\nabla$  CHASSIS GROUND  $\nabla$
  - 5) TEST POINT CONDITIONS:  
 1KHZ SINE WAVE WITH CHANNEL GAIN, AND REVERB @ "10"  
 MASTER LEVEL, REVER RETURN, EFFECTS RETURN @ "10"  
 ALL OTHER CONTROLS @ "5"

ASSY # 07-649-02

**CAUTION:**  
 THIS SCHEMATIC IS PROVIDED FOR USE BY QUALIFIED PERSONNEL. TO AVOID RISK OF ELECTRIC SHOCK, REFER SERVICING TO QUALIFIED SERVICE PERSONNEL. DO NOT PERFORM ANY SERVICING BEYOND THAT EXPLAINED IN THE OPERATING INSTRUCTIONS.



SIGNATURES:	DATE:		11880 BORMAN DR. ST. LOUIS, MISSOURI 63148
DRAWN: MGA	02/01/99		
CHK'D: DJR	02/01/99	PROJECT NAME: PA-6/8 BOX MIXER	
APP'D: DJR	02/01/99	DRAWING NAME: CHANNEL/MASTER BRD	
ORIGINAL ISSUED:	02/01/99	DRAWING NO. 07S649-XX	
PLOT DATE:	02/26/99	SCALE: NONE	
PLOT TIME:	12:57:18	SHEET: 2 OF 2	
FILE NAME:	64999h0_		