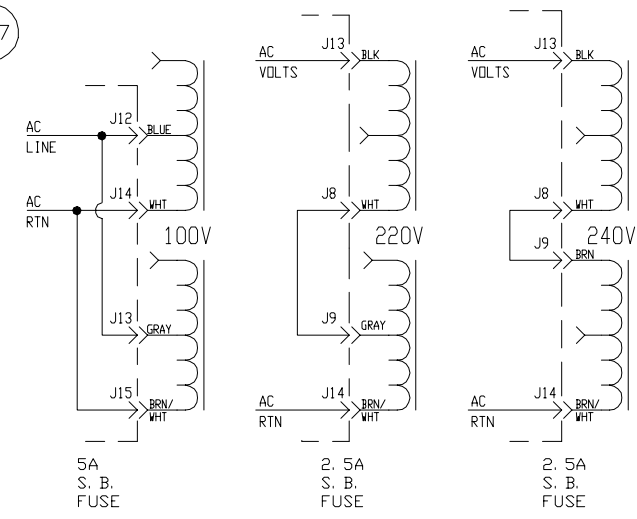


EXPORT WIRING

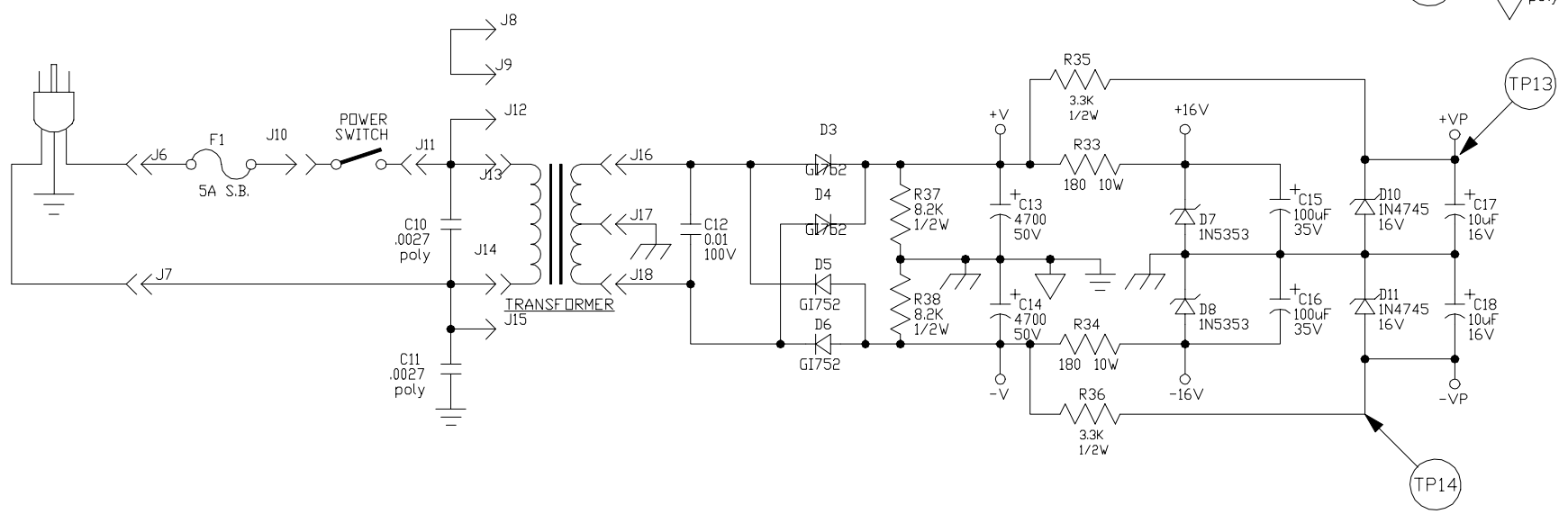


CONDITIONS: INPUT IS A 1KHz SINE WAVE. BIAS IS 1.5mV ACROSS R22 & IS SET WITH NO LOAD, NO INPUT & SET WITHIN 15sec. FROM COLD START

TP	WAVEFORM	AC RMS	DC
1		1V	—
2		3.8V	1.7V
3		3.8V	-1.9V
4		1.75V	37.3V
5		1.6V	37.7V
6		1.4V	38.3V
7		1.03V	39.1V
8		1.8V	-36.8V
9		1.65V	-37.5V
10		1.5V	-38V
11		1V	-38.8V
12		23.2V	0V
13		—	16V
14		—	-16V

- NOTES**
- 1) CAUTION: SHOCK HAZARD!! THIS UNIT CONTAINS HAZARDOUS VOLTAGE. DISCONNECT POWER AND BE SURE POWER SUPPLY IS DISCHARGED BEFORE TOUCHING INTERNAL PARTS.
 - 2) UNLESS NOTED, RESISTOR VALUES IN OHMS, 1/4W-5% TOL. CAPACITOR VALUES IN MICROFARADS, 50V-10% TOL.
 - 3) VOLTAGES ARE MEASURED WITH 1 MEGOHM OSCILLOSCOPE AND 10 MEGOHM DIGITAL VOLTMETER.
 - 4) CIRCUIT GROUND DIRTY GROUND CHASSIS GROUND

CAUTION: THIS SCHEMATIC IS PROVIDED FOR USE BY QUALIFIED PERSONNEL. TO AVOID RISK OF ELECTRIC SHOCK, REFER SERVICING TO QUALIFIED SERVICE PERSONNEL. DO NOT PERFORM ANY SERVICING BEYOND THAT EXPLAINED IN THE OPERATING INSTRUCTIONS.



3				
2				
1	11/23/93	SWR		CHANGED VALUE OF C5 FROM: 220pf 100V TO: 100pf 200V.
REV	DATE	BY	CHK'D	DESCRIPTION
SIGNATURES:		DATE:		11880 BORMAN DR. ST. LOUIS, MISSOURI 63146
DRAWN: MGA		02/06/92		
CHK'D: DJR		02/06/92		PROJECT NAME:
APP'D: DJR		02/06/92		PA-6/8 BOX MIXER
ORIGINAL ISSUED:		02/06/92		DRAWING NAME:
PLOT DATE:		12/15/94		POWER AMP BOARD
PLOT TIME:		12:11:46		DRAWING NO. 07S449-01
FILE NAME:		44901H4_		SCALE: 1:1 SHEET: 1 OF 1