

**BX-15 TEST POINTS**  
INPUT SIGNAL 50mV p-p @ 1KHz  
LEVEL @ "10", EQ's "FLAT"

T.P.	AC VOLTAGE	DC VOLTAGE	WAVEFORM
1	50mV <sub>p-p</sub>	0VDC	
2	424mV <sub>p-p</sub>	.6mVDC	
3	537mV <sub>p-p</sub>	.7mVDC	
4	17.8V <sub>p-p</sub>	1.9mVDC	
5	1.6V <sub>p-p</sub>	.2mVDC	
6	.166V <sub>p-p</sub> ripple	14.6VDC	
7	.166V <sub>p-p</sub> ripple	-14.6VDC	

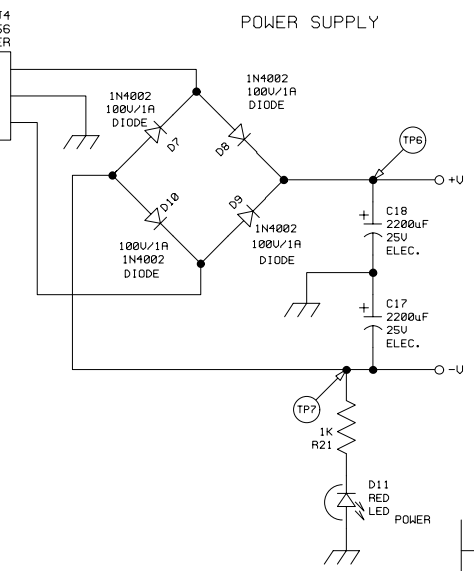
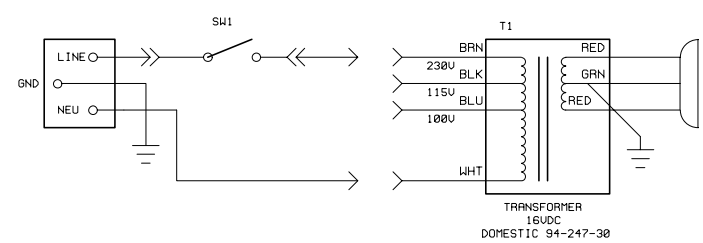
**KX-15 TEST POINTS**  
INPUT SIGNAL 50mV p-p @ 1KHz  
LEVEL @ "10", EQ's "FLAT"

T.P.	AC VOLTAGE	DC VOLTAGE	WAVEFORM
1	50mV <sub>p-p</sub>	0VDC	
2	280mV <sub>p-p</sub>	.6mVDC	
3	300mV <sub>p-p</sub>	.7mVDC	
4	10V <sub>p-p</sub>	1.9mVDC	
5	.88V <sub>p-p</sub>	.2mVDC	
6	.166V <sub>p-p</sub> ripple	14.6VDC	
7	.166V <sub>p-p</sub> ripple	-14.6VDC	

\* C21 USED ON KX-15+ ONLY  
\*\* R2 VALUE TO BE 22K ON BX-15

**NOTES:**  
1) CAUTION: SHOCK HAZARD!!  
THIS UNIT CONTAINS HAZARDOUS VOLTAGE. DISCONNECT POWER AND BE SURE POWER SUPPLY IS DISCHARGED BEFORE TOUCHING INTERNAL PARTS.  
2) UNLESS NOTED, RESISTOR VALUES IN OHMS, 1/4"-5% TOL. CAPACITOR VALUES IN MICROFARADS, 50V-10% TOL.  
3) VOLTAGES ARE MEASURED WITH 1 MEGOHM OSCILLOSCOPE AND 10 MEGOHM DIGITAL VOLTMETER.

**CAUTION:**  
THIS SCHEMATIC IS PROVIDED FOR USE BY QUALIFIED PERSONNEL. TO AVOID RISK OF ELECTRIC SHOCK, REFER SERVICING TO QUALIFIED SERVICE PERSONNEL. DO NOT PERFORM ANY SERVICING BEYOND THAT EXPLAINED IN THE OPERATING INSTRUCTIONS.



REV	DATE	BY	CHK'D	DESCRIPTION
3	11-5-97	REM	TEK	C14-C16,,22UF_FROM_10R_PER_E970659.
2	3-26-97	RLB	TK	R/W_CHANGE_PER_ECO_960140
1	10-29-96	RLB	TK	R/W_CHANGE_PER_ECO_960470

SIGNATURES:		DATE:	11880 BORMAN DR. ST. LOUIS, MISSOURI 63146	
DRAWN:	MGR	9-9-96		
CHK'D:	TK	9-20-96	PROJECT NAME: BX-15+/KX-15+	
APP'D:	TK	9-20-96	DRAWING NAME: SCHEMATIC	
ORIGINAL ISSUED:	00/00/00	DRAWING NO. 07S248-01/02		REV. 4
PLOT DATE:		10-29-96		SCALE: NONE
FILE NAME:		24801C4_		SHEET: 1_OF_1

REV	DATE	BY	CHK'D	DESCRIPTION
6	00/00/00	XXX	XXX	DESC
5	00/00/00	XXX	XXX	DESC
4	1/21/98	REM	DJR	NO_CHANGE_REV_TO_MATCH_PICT_PER_E970819.