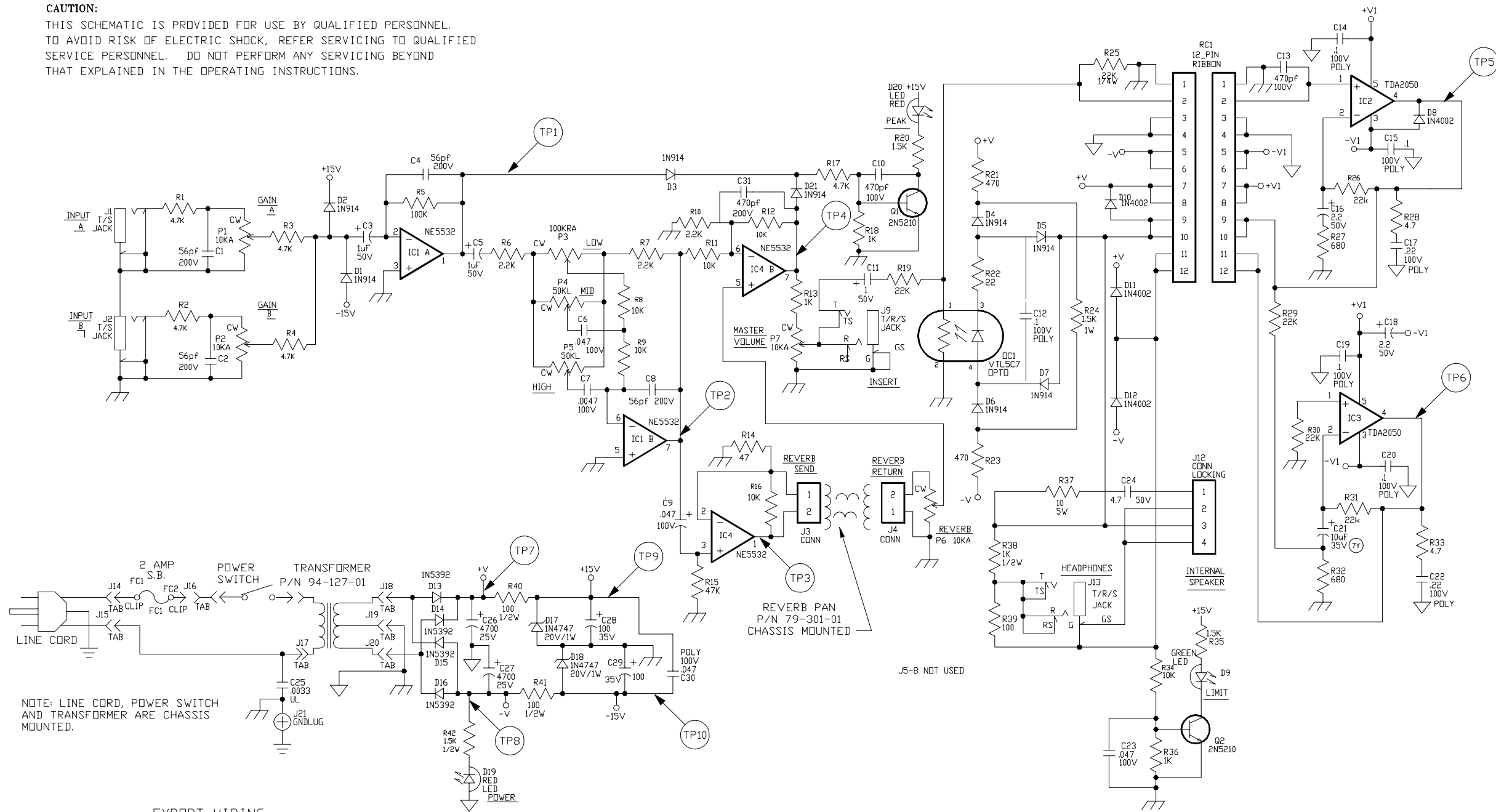


**CAUTION:**  
THIS SCHEMATIC IS PROVIDED FOR USE BY QUALIFIED PERSONNEL.  
TO AVOID RISK OF ELECTRIC SHOCK, REFER SERVICING TO QUALIFIED  
SERVICE PERSONNEL. DO NOT PERFORM ANY SERVICING BEYOND  
THAT EXPLAINED IN THE OPERATING INSTRUCTIONS.



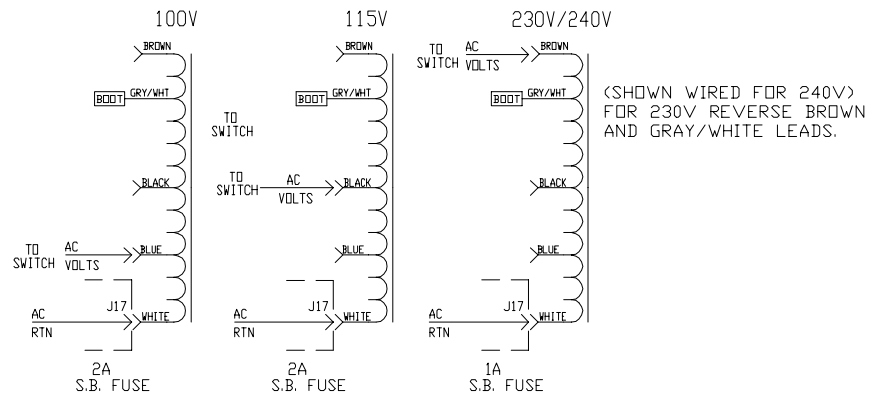
INPUT SIGNAL 150mV P-P @ 1KHz  
GAIN A & B @ '10' ; TONES @ '5' ; REV @ '0'.  
VOLUME @ '10' 8 OHM LOAD

TP	AC VOLTAGE	DC VOLTAGE
1	1.3V p-p	—
2	1.75V p-p	—
3	7V p-p	—
4	1.75V p-p	—
5	25V p-p	—
6	25V p-p	—
7	2V p-p ripple	+19VDC
8	2V p-p ripple	-19VDC
9	1V p-p ripple	+16.3VDC
10	1V p-p ripple	-16.3VDC

NOTE: LINE CORD, POWER SWITCH  
AND TRANSFORMER ARE CHASSIS  
MOUNTED.

**EXPORT WIRING**

94-127-30/-40  
(SEE NOTE #5)



**NOTES**

- 1) CAUTION: SHOCK HAZARD!!  
THIS UNIT CONTAINS HAZARDOUS VOLTAGE. DISCONNECT POWER  
AND BE SURE POWER SUPPLY IS DISCHARGED BEFORE  
TOUCHING INTERNAL PARTS.
- 2) UNLESS NOTED, RESISTOR VALUES IN OHMS, 1/4W-5% TOL.  
CAPACITOR VALUES IN MICROFARADS, 50V-10% TOL.
- 3) VOLTAGES ARE MEASURED WITH 1 MEGOHM OSCILLOSCOPE  
AND 10 MEGOHM DIGITAL VOLTMETER.
- 4) CIRCUIT GROUND  $\text{⏏}$  SWITCH GROUND  $\text{⏏}$  CHASSIS GROUND  $\text{⏏}$
- 5) GRAY/WHITE PRI. TRANSFORMER LEADS NOT USED ON ALL VERSIONS.  
FOR 94-127-30 (230V) USE BROWN PRI. LEAD TO J8.

REV	DATE	BY	CHK'D	DESCRIPTION
7	2/9/98	WFB		12A > 12R CAPS PER E970825 NO CHANGES ON SCHEMATIC
6	09/23/97	SWR		CHANGED EXPORT TRANSFORMER WIRING. ADDED NOTE #5. PER ECO #970476.
5	09/11/97	SWR		CHANGED VALUE AND LOCATION OF C23. PER ECO #970465.
4	11/18/96	REM		CHG'D 23-926-01 FUSECLIP TO -02 PER E960463.
3	2/1/96	REM		CHG'D VALUES OF R19, R25, C13 PER E950459.
2	06/08/94	SWR		DELETED OPTIONAL DIODES FOR D13-D16 PER ECO #E232
2	04/25/94	B.C.		CHANGE C117&C22 FROM .1 TO .22, CHANGE C13 FROM 470p TO .001 PER E175
1	03/03/94	REM		SCHEMATIC DID NOT CHANGE. DWG TO REV.1 TO REFLECT REV. LEVEL OF PICTORIAL.

SIGNATURES:		DATE:	
DRAWN: REM		11/04/93	
CHK'D: RC		11/04/93	
APP'D: TEK		11/04/93	
ORIGINAL ISSUED:		11/04/93	
PLOT DATE:		08/17/98	
PLOT TIME:		07:28:50	
FILE NAME:		23901H7_	

PROJECT NAME:		DRAWING NAME:	
KX-50 KEYBD. AMP		SCHEMATIC	
DRAWING NO. 07S239-01		REV. 7_	
SCALE: NTS	SHEET: 1 OF 1		