
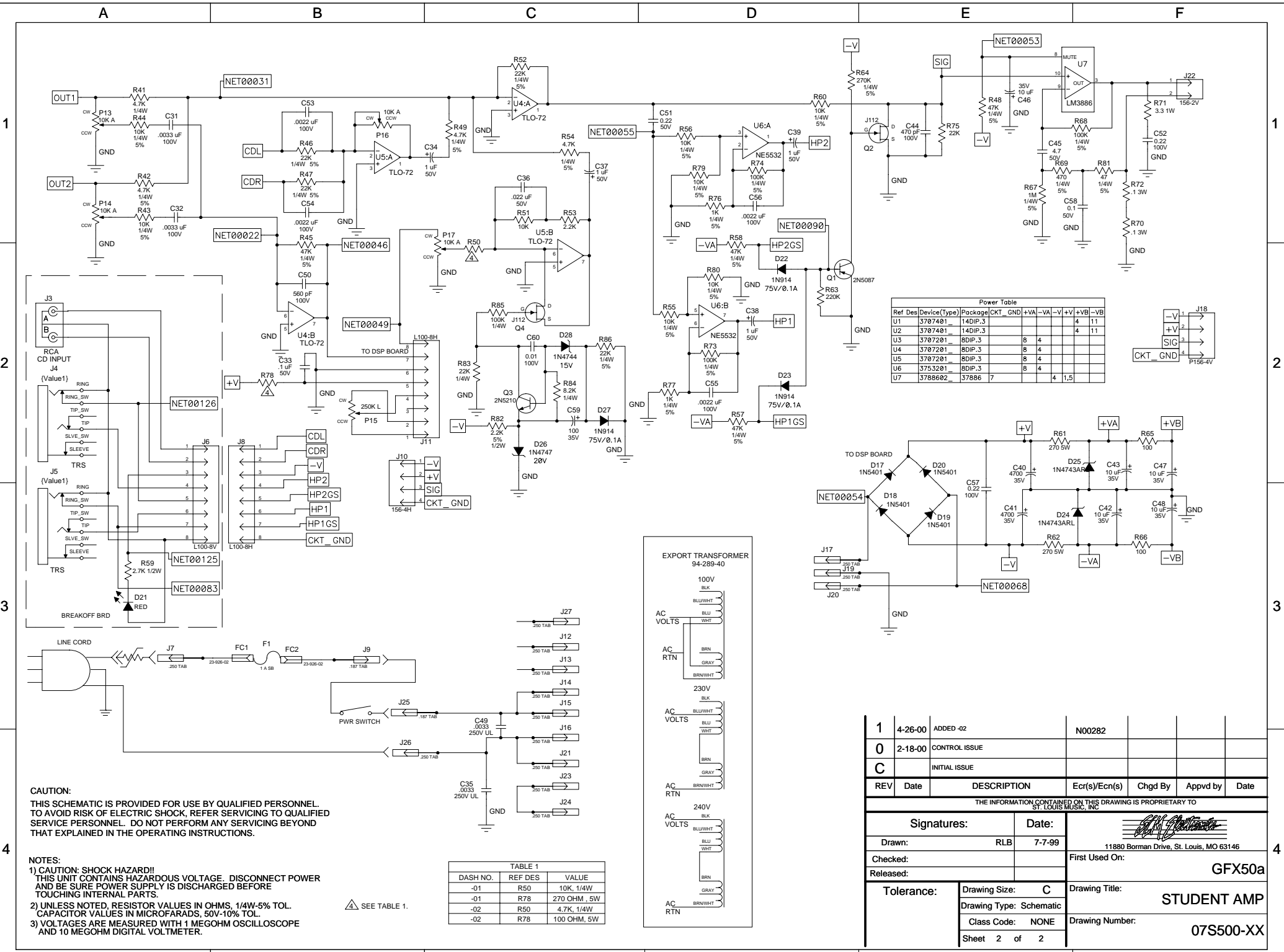


CAUTION:
 THIS SCHEMATIC IS PROVIDED FOR USE BY QUALIFIED PERSONNEL TO AVOID RISK OF ELECTRIC SHOCK. REFER SERVICING TO QUALIFIED SERVICE PERSONNEL. DO NOT PERFORM ANY SERVICING BEYOND THAT EXPLAINED IN THE OPERATING INSTRUCTIONS.

- NOTES:**
- 1) CAUTION: SHOCK HAZARD!! THIS UNIT CONTAINS HAZARDOUS VOLTAGE. DISCONNECT POWER AND BE SURE POWER SUPPLY IS DISCHARGED BEFORE TOUCHING INTERNAL PARTS.
 - 2) UNLESS NOTED, RESISTOR VALUES IN OHMS, 1/4W-5% TOL. CAPACITOR VALUES IN MICROFARADS, 50V-10% TOL.
 - 3) VOLTAGES ARE MEASURED WITH 1 MEGOHM OSCILLOSCOPE AND 10 MEGOHM DIGITAL VOLTMETER.

1	4-26-00	ADDED -02		N00282	RLB	
0	2-18-00	CONTROL ISSUE				
C		INITIAL ISSUE				
REV	Date	DESCRIPTION	Ecr(s)/Ecn(s)	Chgd By	Appvd by	Date
THE INFORMATION CONTAINED ON THIS DRAWING IS PROPRIETARY TO ST. LOUIS MUSIC, INC.						
Signatures:		Date:		 11880 Borman Drive, St. Louis, MO 63146		
Drawn: RLB		7-7-99				
Checked:						
Released:						
Tolerance:		Drawing Size: C		Drawing Title: STUDENT AMP		
		Drawing Type: Schematic		Drawing Number: 07S500-XX		
		Class Code: NONE				
		Sheet 1 of 2				



Ref Des	Device(Type)	Package	CKT	GND	+VA	-VA	+V	+VB	-VB
U1	3787401	14DIP.3					4	11	
U2	3787401	14DIP.3					4	11	
U3	3787201	8DIP.3	8		4				
U4	3787201	8DIP.3	8		4				
U5	3787201	8DIP.3	8		4				
U6	3753201	8DIP.3	8		4				
U7	3788602	37886	7			4	1,5		

DASH NO.	REF DES	VALUE
-01	R50	10K, 1/4W
-01	R78	270 OHM, .5W
-02	R50	4.7K, 1/4W
-02	R78	100 OHM, .5W

CAUTION:
 THIS SCHEMATIC IS PROVIDED FOR USE BY QUALIFIED PERSONNEL TO AVOID RISK OF ELECTRIC SHOCK. REFER SERVICING TO QUALIFIED SERVICE PERSONNEL. DO NOT PERFORM ANY SERVICING BEYOND THAT EXPLAINED IN THE OPERATING INSTRUCTIONS.

NOTES:
 1) CAUTION: SHOCK HAZARD!! THIS UNIT CONTAINS HAZARDOUS VOLTAGE. DISCONNECT POWER AND BE SURE POWER SUPPLY IS DISCHARGED BEFORE TOUCHING INTERNAL PARTS.
 2) UNLESS NOTED, RESISTOR VALUES IN OHMS, 1/4W-5% TOL. CAPACITOR VALUES IN MICROFARADS, 50V-10% TOL.
 3) VOLTAGES ARE MEASURED WITH 1 MEGOHM OSCILLOSCOPE AND 10 MEGOHM DIGITAL VOLTMETER.

SEE TABLE 1.

REV	Date	DESCRIPTION	Ecr(s)/Ecrn(s)	Chgd By	Appvd by	Date
1	4-26-00	ADDED -02				N00282
0	2-18-00	CONTROL ISSUE				
C		INITIAL ISSUE				

THE INFORMATION CONTAINED ON THIS DRAWING IS PROPRIETARY TO ST. LOUIS MUSIC, INC.

Signatures:		Date:
Drawn:	RLB	7-7-99
Checked:		
Released:		

First Used On: *[Signature]*
 11880 Borman Drive, St. Louis, MO 63146

Tolerance:	Drawing Size: C	Drawing Title:
	Drawing Type: Schematic	STUDENT AMP
	Class Code: NONE	Drawing Number:
	Sheet 2 of 2	07S500-XX