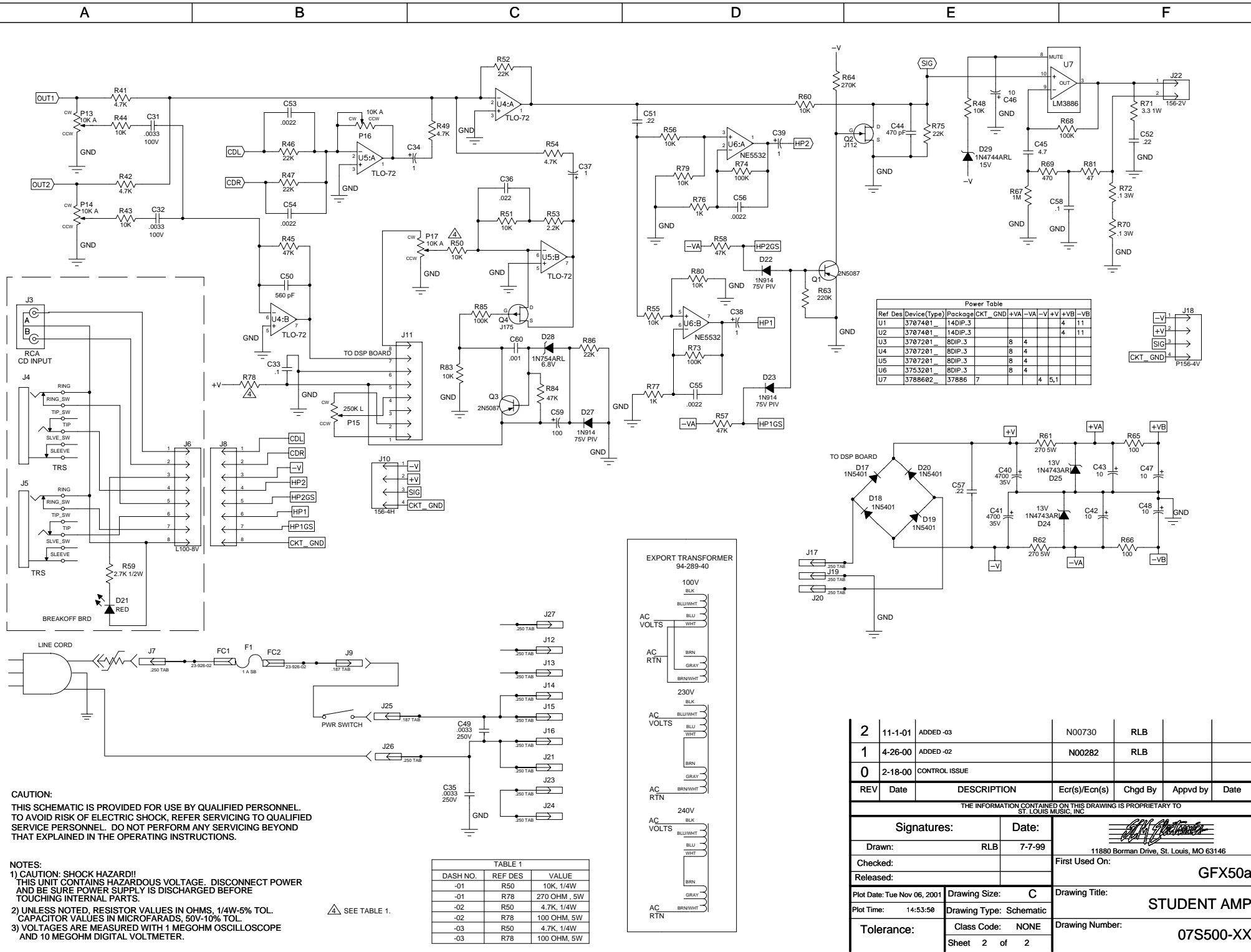


CAUTION:
 THIS SCHEMATIC IS PROVIDED FOR USE BY QUALIFIED PERSONNEL TO AVOID RISK OF ELECTRIC SHOCK. REFER SERVICING TO QUALIFIED SERVICE PERSONNEL. DO NOT PERFORM ANY SERVICING BEYOND THAT EXPLAINED IN THE OPERATING INSTRUCTIONS.

NOTES:
 1) CAUTION: SHOCK HAZARD!! THIS UNIT CONTAINS HAZARDOUS VOLTAGE. DISCONNECT POWER AND BE SURE POWER SUPPLY IS DISCHARGED BEFORE TOUCHING INTERNAL PARTS.
 2) UNLESS NOTED, RESISTOR VALUES IN OHMS, 1/4W-5% TOL. CAPACITOR VALUES IN MICROFARADS, 50V-10% TOL.
 3) VOLTAGES ARE MEASURED WITH 1 MEGOHM OSCILLOSCOPE AND 10 MEGOHM DIGITAL VOLTMETER.

2	11-1-01	ADDED -03	N00730	RLB		
1	4-26-00	ADDED -02	N00282	RLB		
0	2-18-00	CONTROL ISSUE				
REV	Date	DESCRIPTION	Ecr(s)/Ecn(s)	Chgd By	Appvd by	Date
THE INFORMATION CONTAINED ON THIS DRAWING IS PROPRIETARY TO ST. LOUIS MUSIC, INC						
Signatures:			Date:		 11880 Borman Drive, St. Louis, MO 63146	
Drawn: RLB			7-7-99			
Checked:					First Used On:	
Released:					GFX50a	
Plot Date: Tue Nov 06, 2001		Drawing Size: C		Drawing Title:		
Plot Time: 14:53:50		Drawing Type: Schematic		STUDENT AMP		
Tolerance:			Class Code: NONE		Drawing Number:	
			Sheet 1 of 2		07S500-XX	



Ref Des	Device(Type)	Package	CKT	GND	+VA	-VA	+V	+VB	-VB
U1	3787401	14DIP.3					4	11	
U2	3787401	14DIP.3					4	11	
U3	3787201	8DIP.3	8	4					
U4	3787201	8DIP.3	8	4					
U5	3787201	8DIP.3	8	4					
U6	3753201	8DIP.3	8	4					
U7	3788602	37886	7			4	5,1		

TABLE 1		
DASH NO.	REF DES	VALUE
-01	R50	10K, 1/4W
-01	R78	270 OHM, .5W
-02	R50	4.7K, 1/4W
-02	R78	100 OHM, .5W
-03	R50	4.7K, 1/4W
-03	R78	100 OHM, .5W

REV	Date	DESCRIPTION	Ecr(s)/Ecrn(s)	Chgd By	Appvd by	Date
2	11-1-01	ADDED -03				
1	4-26-00	ADDED -02				
0	2-18-00	CONTROL ISSUE				

THE INFORMATION CONTAINED ON THIS DRAWING IS PROPRIETARY TO ST. LOUIS MUSIC, INC

Signatures:		Date:
Drawn: RLB		7-7-99
Checked:		First Used On:
Released:		11880 Borman Drive, St. Louis, MO 63146
Plot Date: Tue Nov 06, 2001		Drawing Size: C
Plot Time: 14:53:50		Drawing Title: STUDENT AMP
Tolerance:		Drawing Number: 07S500-XX
Sheet 2 of 2		Class Code: NONE

CAUTION:
THIS SCHEMATIC IS PROVIDED FOR USE BY QUALIFIED PERSONNEL. TO AVOID RISK OF ELECTRIC SHOCK, REFER SERVICING TO QUALIFIED SERVICE PERSONNEL. DO NOT PERFORM ANY SERVICING BEYOND THAT EXPLAINED IN THE OPERATING INSTRUCTIONS.

NOTES:
1) CAUTION: SHOCK HAZARD!! THIS UNIT CONTAINS HAZARDOUS VOLTAGE. DISCONNECT POWER AND BE SURE POWER SUPPLY IS DISCHARGED BEFORE TOUCHING INTERNAL PARTS.
2) UNLESS NOTED, RESISTOR VALUES IN OHMS, 1/4W-5% TOL. CAPACITOR VALUES IN MICROFARADS, 50V-10% TOL.
3) VOLTAGES ARE MEASURED WITH 1 MEGOHM OSCILLOSCOPE AND 10 MEGOHM DIGITAL VOLTMETER.

SEE TABLE 1.