

**EXPORT WIRING**

- NOTES:
- 1) CAUTION: SHOCK HAZARD!! THIS UNIT CONTAINS HAZARDOUS VOLTAGE. DISCONNECT POWER AND BE SURE POWER SUPPLY IS DISCHARGED BEFORE TOUCHING INTERNAL PARTS.
  - 2) UNLESS NOTED, RESISTOR VALUES IN OHMS, 1/4W-5% TOL. CAPACITOR VALUES IN MICROFARADS, 50V-10% TOL.
  - 3) VOLTAGES ARE MEASURED WITH 1 MEGOHM OSCILLOSCOPE AND 10 MEGOHM DIGITAL VOLTMETER.

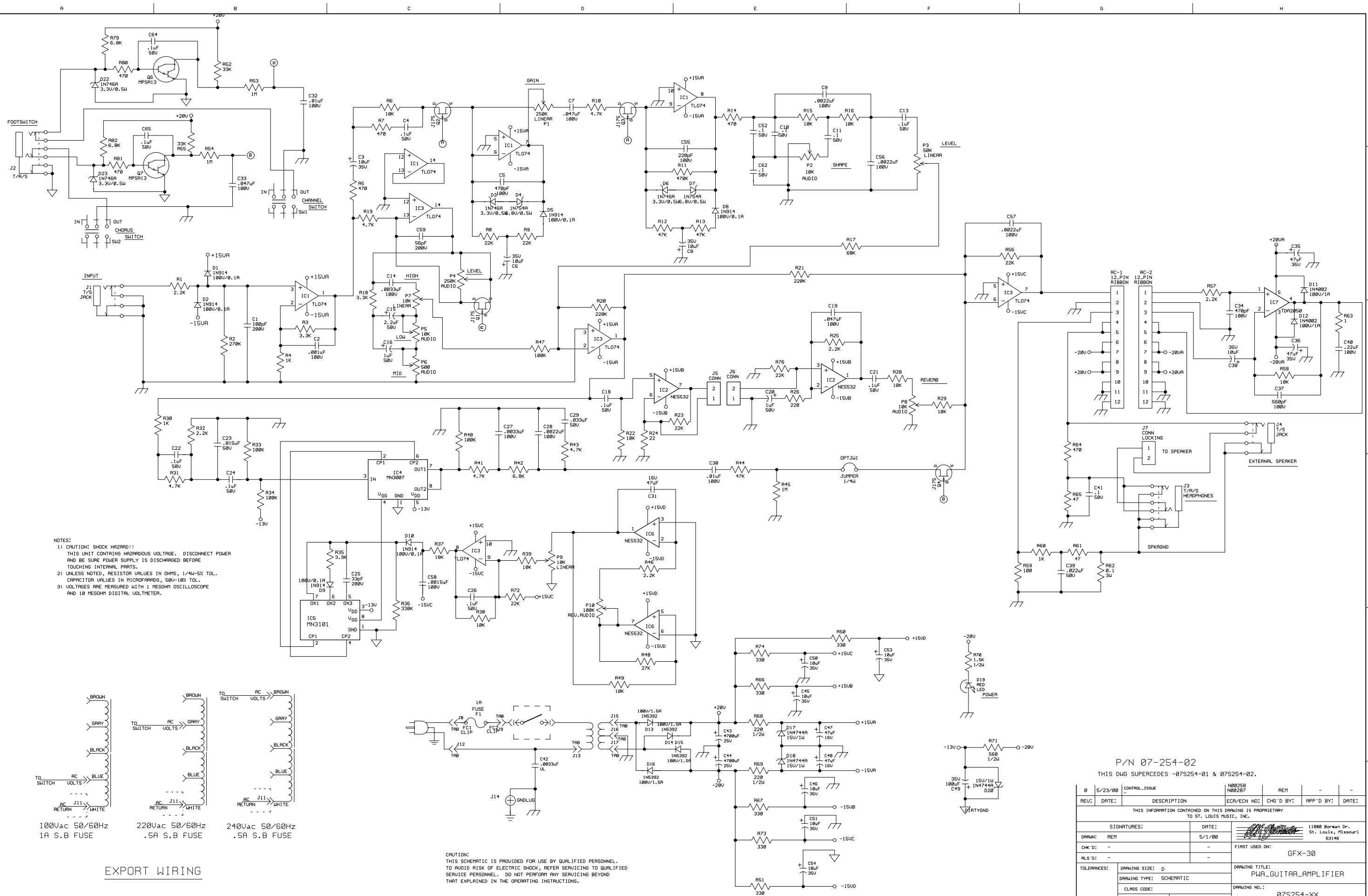
CAUTION!  
THIS SCHEMATIC IS PROVIDED FOR USE BY QUALIFIED PERSONNEL. TO AVOID RISK OF ELECTRIC SHOCK, REFER SERVICING TO QUALIFIED SERVICE PERSONNEL. DO NOT PERFORM ANY SERVICING BEYOND THAT EXPLAINED IN THE OPERATING INSTRUCTIONS.

P/N 07-254-01  
THIS DWG SUPERCEDES -07S254-01 & 07S254-02.

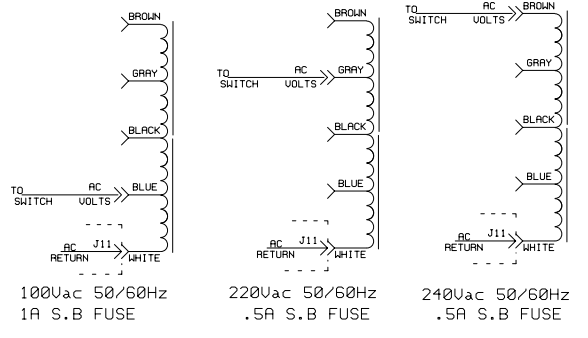
REV	DATE	DESCRIPTION	ECR/ECN NO.	CHK'D BY	APP'D BY	DATE
0	5/23/00	CONTROL ISSUE	NB0258 NB0287	REM	-	-

THIS INFORMATION CONTAINED ON THIS DRAWING IS PROPRIETARY TO ST. LOUIS MUSIC, INC.

SIGNATURES:	DATE:	11880 Boreau Dr. St. Louis, Missouri 1 63146
DRAWN: REM	5/1/00	
CHK'D: -	-	FIRST USED ON: GFX-30
ALS'D: -	-	
TOLERANCES:	DRAWING SIZE: D	DRAWING TITLE: PWA_GUITAR_AMPLIFIER
	DRAWING TYPE: SCHEMATIC	DRAWING NO.: 07S254-XX
	CLASS CODE:	
	SCALE: NONE	SHEET: SHT 1 OF 3



NOTES:  
 1) CAUTION: SHOCK HAZARD!! THIS UNIT CONTAINS HAZARDOUS VOLTAGE. DISCONNECT POWER AND BE SURE POWER SUPPLY IS DISCHARGED BEFORE TOUCHING INTERNAL PARTS.  
 2) UNLESS NOTED, RESISTOR VALUES IN OHMS, 1/4W-5% TOL. CAPACITOR VALUES IN MICROFARADS, 50V-10% TOL.  
 3) VOLTAGES ARE MEASURED WITH 1 MEGOHM OSCILLOSCOPE AND 10 MEGOHM DIGITAL VOLTMETER.

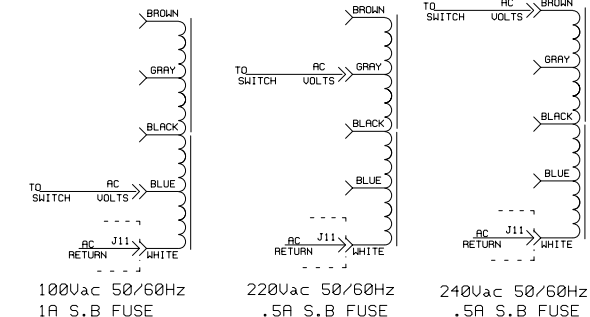
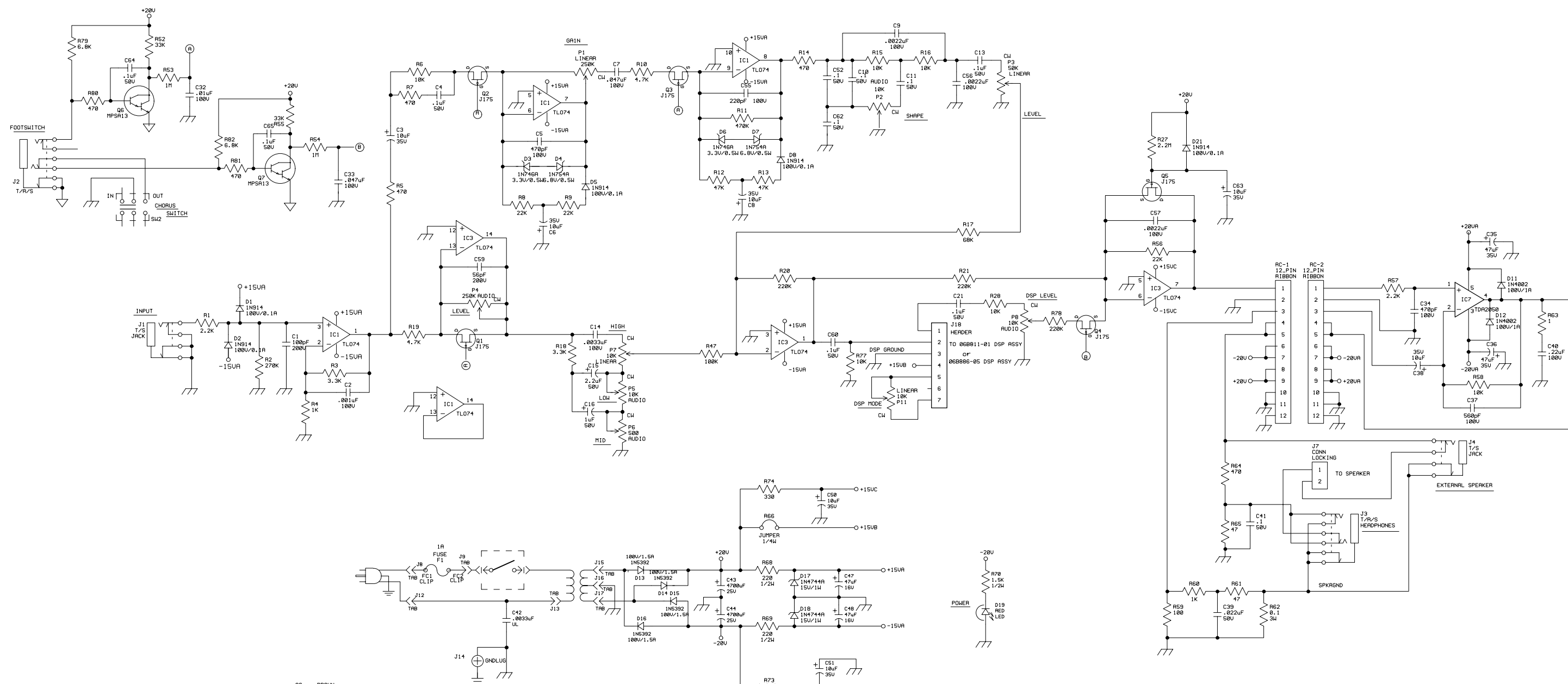


EXPORT WIRING

CAUTION:  
 THIS SCHEMATIC IS PROVIDED FOR USE BY QUALIFIED PERSONNEL. TO AVOID RISK OF ELECTRIC SHOCK, REFER SERVICING TO QUALIFIED SERVICE PERSONNEL. DO NOT PERFORM ANY SERVICING BEYOND THAT EXPLAINED IN THE OPERATING INSTRUCTIONS.

P/N 07-254-02  
 THIS DIAG SUPERCEDES -07S254-01 & 07S254-02.

REV: 0	DATE: 5/23/00	CONTROL ISSUE	N80258 N80287	REM	-	-
REV: 1	DATE: 5/1/00	DESCRIPTION	ECR/ECN NO:	CHG'D BY:	APP'D BY:	DATE:
THIS INFORMATION CONTAINED ON THIS DRAWING IS PROPRIETARY TO ST. LOUIS MUSIC, INC.						
SIGNATURES:			DATE:		11880 Borman Dr. St. Louis, Missouri 63146	
DRAWN: REM			5/1/00		GFX-30	
CHK'D: -			-		FIRST USED ON:	
TOLERANCES:			-		DRAWING TITLE: PWA_GUITAR_AMPLIFIER	
DRAWING SIZE: D			-		DRAWING NO.:	
CLASS CODE:			-		07S254-XX	
SCALE: NONE			-		SHEET: SHT 2 OF 3	



EXPORT WIRING

NOTES:  
 1) CAUTION: SHOCK HAZARD!! THIS UNIT CONTAINS HAZARDOUS VOLTAGE. DISCONNECT POWER AND BE SURE POWER SUPPLY IS DISCHARGED BEFORE TOUCHING INTERNAL PARTS.  
 2) UNLESS NOTED, RESISTOR VALUES IN OHMS, 1/4W-5% TOL. CAPACITOR VALUES IN MICROFARADS, 50V-10% TOL.  
 3) VOLTAGES ARE MEASURED WITH 1 MEGOHM OSCILLOSCOPE AND 10 MEGOHM DIGITAL VOLTMETER.

CAUTION: THIS SCHEMATIC IS PROVIDED FOR USE BY QUALIFIED PERSONNEL. TO AVOID RISK OF ELECTRIC SHOCK, REFER SERVICING TO QUALIFIED SERVICE PERSONNEL. DO NOT PERFORM ANY SERVICING BEYOND THAT EXPLAINED IN THE OPERATING INSTRUCTIONS.

P/N 07-254-03

THIS DWG SUPERCEDES -07S254-01 & 07S254-02.

REV:	DATE:	DESCRIPTION:	ECR/ECN NO.:	CHG'D BY:	APP'D BY:	DATE:
0	5/23/00	CONTROL ISSUE	N00258 N00287	REM	-	-
THIS INFORMATION CONTAINED ON THIS DRAWING IS PROPRIETARY TO ST. LOUIS MUSIC, INC.						
SIGNATURES:		DATE:		11880 Borman Dr. St. Louis, Missouri 63146		
DRAWN:	REM	5/1/00	FIRST USED ON:			
CHK'D:	-	-	GFX-30			
RLS'D:	-	-	DRAWING TITLE: PWA_GUITAR_AMPLIFIER			
TOLERANCES:	DRAWING SIZE: D		DRAWING NO.:			
	CLASS TYPE: SCHEMATIC		07S254-XX			
	CLASS CODE:		SHEET 3 OF 3			
	SCALE: NONE					