

**Test Conditions**  
 1 1 KHz SINE WAVE INPUT  
 2 LEVEL, GAINS @ "10", TONES @ "5"

**CAUTION:**  
 THIS SCHEMATIC IS PROVIDED FOR USE BY QUALIFIED PERSONNEL. TO AVOID RISK OF ELECTRIC SHOCK, REFER SERVICING TO QUALIFIED SERVICE PERSONNEL. DO NOT PERFORM ANY SERVICING BEYOND THAT EXPLAINED IN THE OPERATING INSTRUCTIONS.

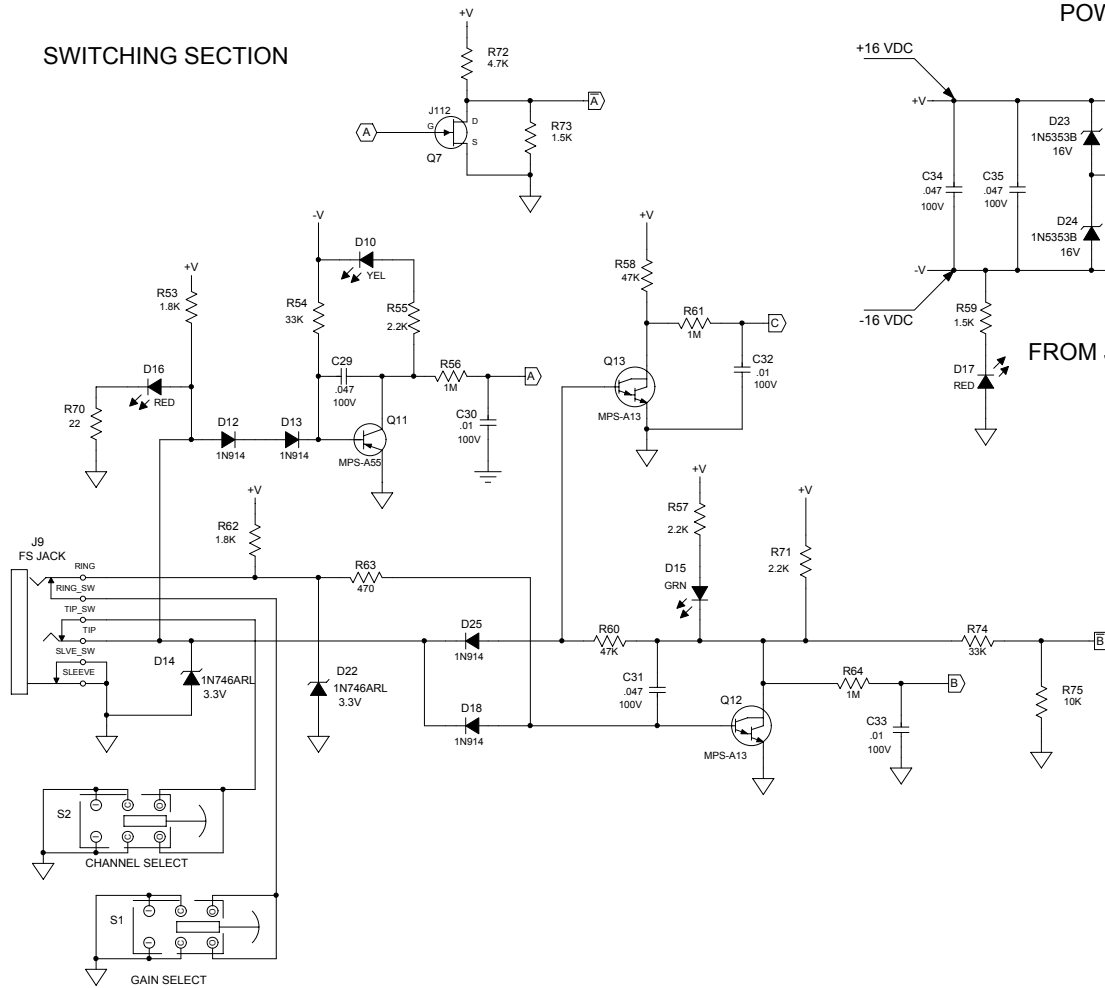
**NOTES:**  
 1) CAUTION: SHOCK HAZARD!! THIS UNIT CONTAINS HAZARDOUS VOLTAGE. DISCONNECT POWER AND BE SURE POWER SUPPLY IS DISCHARGED BEFORE TOUCHING INTERNAL PARTS.  
 2) UNLESS NOTED, RESISTOR VALUES IN OHMS, 1/4W-5% TOL. CAPACITOR VALUES IN MICROFARADS, 50V-10% TOL.  
 3) VOLTAGES ARE MEASURED WITH 1 MEGOHM OSCILLOSCOPE AND 10 MEGOHM DIGITAL VOLTMETER.

Power Table				
RefDes	Value	-V1	+V1	+V
IC1	TLO-72	4	8	
IC2	TLO-72		4	8
IC3	TLO-72		4	8
IC5	TLO-72		4	8
IC6	TLO-72		4	8

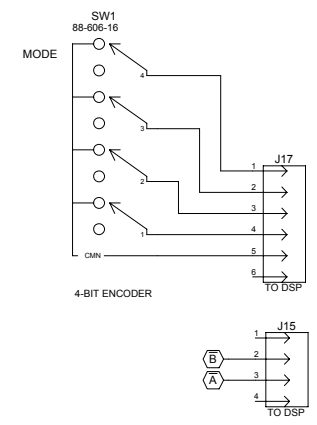
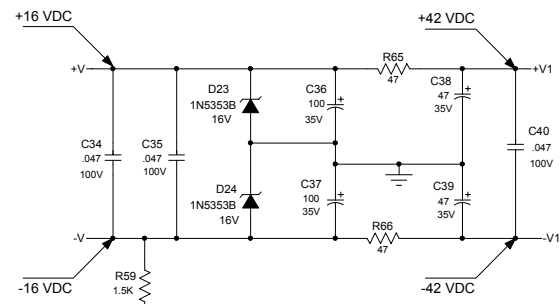
Spare Gate Table		
Last Used	Not Used	Spare Gates
C49		
D25	D20, D21	
IC6	IC4	
J17	J5, J6, J7, J8, J10, J11, J12, J13	
JW41		
JW01		
P11		
PWB1		
Q16	Q10	
R78	R50, R51	
S3		
SW1		
XC2		

			R00738	WFB	
0	2/20/02	CONTROL ISSUE			
REV	Date	DESCRIPTION	Ecr(s)/Ecn(s)	Chgd By	Appvd by
THE INFORMATION CONTAINED ON THIS DRAWING IS PROPRIETARY TO ST. LOUIS MUSIC, INC.					
<b>Signatures:</b>		<b>Date:</b>		 11880 Borman Drive, St. Louis, MO 63146	
Drawn:	WFB	10/3/01			
Checked:				First Used On:	
Released:				GFX2200Ha	
Plot Date: Wed Feb 20, 2002	Drawing Size: C	Drawing Title:		PWA GUITAR AMP	
Plot Time: 09:21:23	Drawing Type: Schematic	Drawing Number:		07S528-XX	
Tolerance:	Class Code: NONE	Sheet 1 of 2			

SWITCHING SECTION



POWER SUPPLY



SWITCHING LOGIC:  
DSP CONNECTIONS - J15 PIN 2 B', PIN3 A'

GAIN	CH	CH.B	CH.A	CH.A	CH.A	CH.A	CH.A	CH.A	CH.A
S1	S2	A	A'	B	B'	C	D10	D16	D15
IN	IN	-16V	+4V	0V	0V	+16V	OFF	ON	ON
IN	OUT	0V	0V	+16V	+3.4V	+16V	ON	OFF	OFF
OUT	IN	-16V	+4V	+16V	+3.4V	0V	OFF	ON	OFF
OUT	OUT	0V	0V	+16V	+3.4V	+16V	ON	OFF	OFF

CAUTION:  
THIS SCHEMATIC IS PROVIDED FOR USE BY QUALIFIED PERSONNEL.  
TO AVOID RISK OF ELECTRIC SHOCK, REFER SERVICING TO QUALIFIED  
SERVICE PERSONNEL. DO NOT PERFORM ANY SERVICING BEYOND  
THAT EXPLAINED IN THE OPERATING INSTRUCTIONS.

- NOTES:
- 1) CAUTION: SHOCK HAZARD!!  
THIS UNIT CONTAINS HAZARDOUS VOLTAGE. DISCONNECT POWER  
AND BE SURE POWER SUPPLY IS DISCHARGED BEFORE  
TOUCHING INTERNAL PARTS.
  - 2) UNLESS NOTED, RESISTOR VALUES IN OHMS, 1/4W-5% TOL.  
CAPACITOR VALUES IN MICROFARADS, 50V-10% TOL.
  - 3) VOLTAGES ARE MEASURED WITH 1 MEGOHM OSCILLOSCOPE  
AND 10 MEGOHM DIGITAL VOLTMETER.

Last Used	Not Used	Spare Gates
C49		
D25	D20, D21	
IC6	IC4	
J17	J5, J6, J7, J8, J10, J11, J12, J13	
JW41		
JWQ1		
P11		
PWB1		
Q16	Q10	
R78	R50, R51	
S3		
SW1		
XC2		

			R00738	WFB		
0	2/20/02	CONTROL ISSUE				
REV	Date	DESCRIPTION	Ecr(s)/Ecn(s)	Chgd By	Appvd by	Date
THE INFORMATION CONTAINED ON THIS DRAWING IS PROPRIETARY TO ST. LOUIS MUSIC, INC.						
Signatures:			Date:		 11880 Borman Drive, St. Louis, MO 63146 First Used On: <b>GFX2200Ha</b> Drawing Title: <b>PWA GUITAR AMP</b> Drawing Number: <b>07S528-XX</b>	
Drawn: WFB		10/3/01				
Checked:						
Released:						
Plot Date: Wed Feb 20, 2002		Drawing Size: C		Drawing Title:		
Plot Time: 09:21:24		Drawing Type: Schematic		Drawing Number:		
Tolerance:		Class Code: NONE		Drawing Number:		
		Sheet 2 of 2		07S528-XX		