

INPUT SIGNAL : .7Vrms @ 1KHz
4 OHM LOAD

T.P.	AC VOLTAGE	DC VOLTAGE
1	.44 p-p	—
2	.56 p-p	15.6V
3	.42 p-p	—
4	36 p-p	+1V
5	36 p-p	-1V
6	34.5 p-p	—
7	3 p-p	+38V
8	3 p-p	-38V
9	15mV p-p	+16.5V
10	15mV p-p	-16.5V
11		+10V

ADJUST AP1 FOR 4-7mV ACROSS R30
NO SIGNAL, NO LOAD

⚠ NOT USED

CAUTION:
THIS SCHEMATIC IS PROVIDED FOR USE BY QUALIFIED PERSONNEL.
TO AVOID RISK OF ELECTRIC SHOCK, REFER SERVICING TO QUALIFIED
SERVICE PERSONNEL. DO NOT PERFORM ANY SERVICING BEYOND
THAT EXPLAINED IN THE OPERATING INSTRUCTIONS.

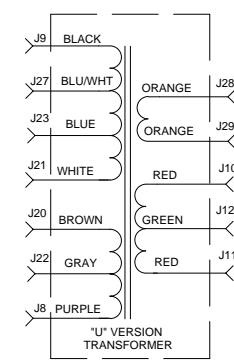
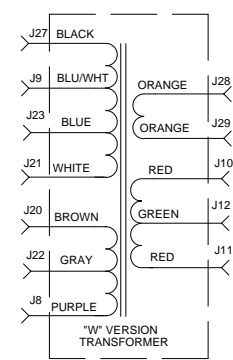
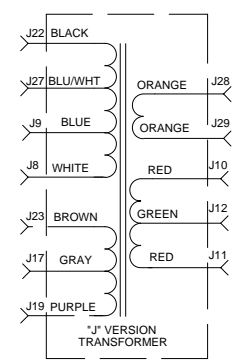
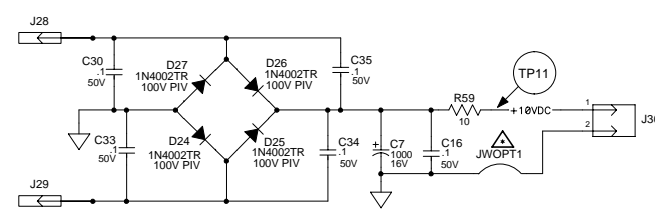
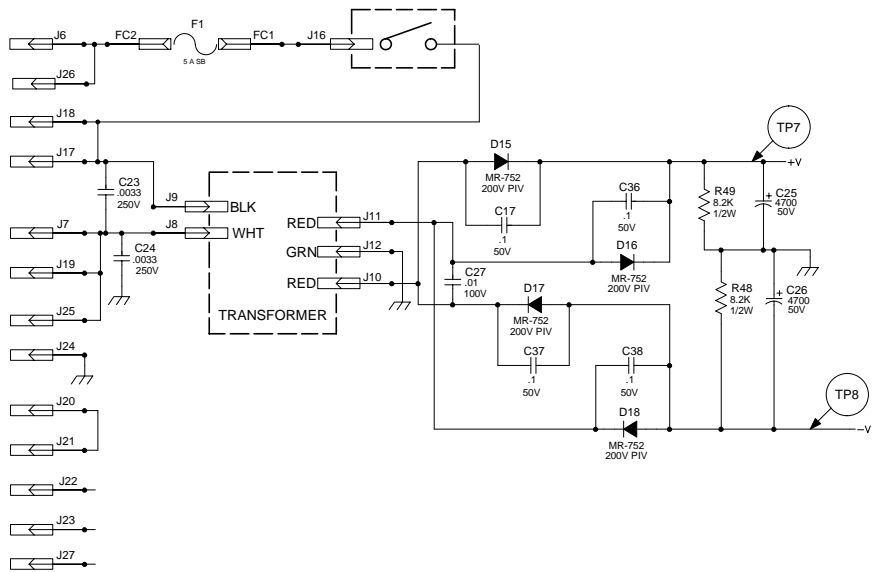
- NOTES:
- 1) CAUTION: SHOCK HAZARD!!
THIS UNIT CONTAINS HAZARDOUS VOLTAGE. DISCONNECT POWER
AND BE SURE POWER SUPPLY IS DISCHARGED BEFORE
TOUCHING INTERNAL PARTS.
 - 2) UNLESS NOTED, RESISTOR VALUES IN OHMS, 1/4W-5% TOL.
CAPACITOR VALUES IN MICROFARADS, 50V-10% TOL.
 - 3) VOLTAGES ARE MEASURED WITH 1 MEGOHM OSCILLOSCOPE
AND 10 MEGOHM DIGITAL VOLTMETER.

07S458-01

REV	Date	DESCRIPTION	Ecr(s)/Ecn(s)	Chgd By	Appvd by	Date
0	2-22-02	CONTROL ISSUE				
A	5-4-01	INITIAL ISSUE				

THE INFORMATION CONTAINED ON THIS DRAWING IS PROPRIETARY TO
ST. LOUIS MUSIC, INC.

Signatures:		Date:	 11880 Borman Drive, St. Louis, MO 63146
Drawn:	RLB	5-04-01	
Checked:			First Used On:
Released:			GX-2200H
Plot Date:	Fri Feb 22, 2002	Drawing Size:	C
Plot Time:	13:31:56	Drawing Type:	Schematic
Tolerance:		Class Code:	NONE
		Sheet	1 of 2
Drawing Title:			POWER AMP
Drawing Number:			07S458-XX



07S458-01

CAUTION:
 THIS SCHEMATIC IS PROVIDED FOR USE BY QUALIFIED PERSONNEL TO AVOID RISK OF ELECTRIC SHOCK. REFER SERVICING TO QUALIFIED SERVICE PERSONNEL. DO NOT PERFORM ANY SERVICING BEYOND THAT EXPLAINED IN THE OPERATING INSTRUCTIONS.

NOTES:
 1) CAUTION: SHOCK HAZARD!! THIS UNIT CONTAINS HAZARDOUS VOLTAGE. DISCONNECT POWER AND BE SURE POWER SUPPLY IS DISCHARGED BEFORE TOUCHING INTERNAL PARTS.
 2) UNLESS NOTED, RESISTOR VALUES IN OHMS, 1/4W-5% TOL. CAPACITOR VALUES IN MICROFARADS, 50V-10% TOL.
 3) VOLTAGES ARE MEASURED WITH 1 MEGOHM OSCILLOSCOPE AND 10 MEGOHM DIGITAL VOLTMETER.

0	2-22-02	CONTROL ISSUE				
A	5-4-01	INITIAL ISSUE				
REV	Date	DESCRIPTION	Ecr(s)/Ecn(s)	Chgd By	Appvd by	Date
THE INFORMATION CONTAINED ON THIS DRAWING IS PROPRIETARY TO ST. LOUIS MUSIC, INC.						
Signatures:		Date:		 11880 Borman Drive, St. Louis, MO 63146		
Drawn: RLB		5-04-01				
Checked:				First Used On: GX-2200H		
Released:				Drawing Title: POWER AMP		
Plot Date: Fri Feb 22, 2002		Drawing Size: C		Drawing Number: 07S458-XX		
Plot Time: 13:31:57		Drawing Type: Schematic		Sheet 2 of 2		
Tolerance:		Class Code: NONE				