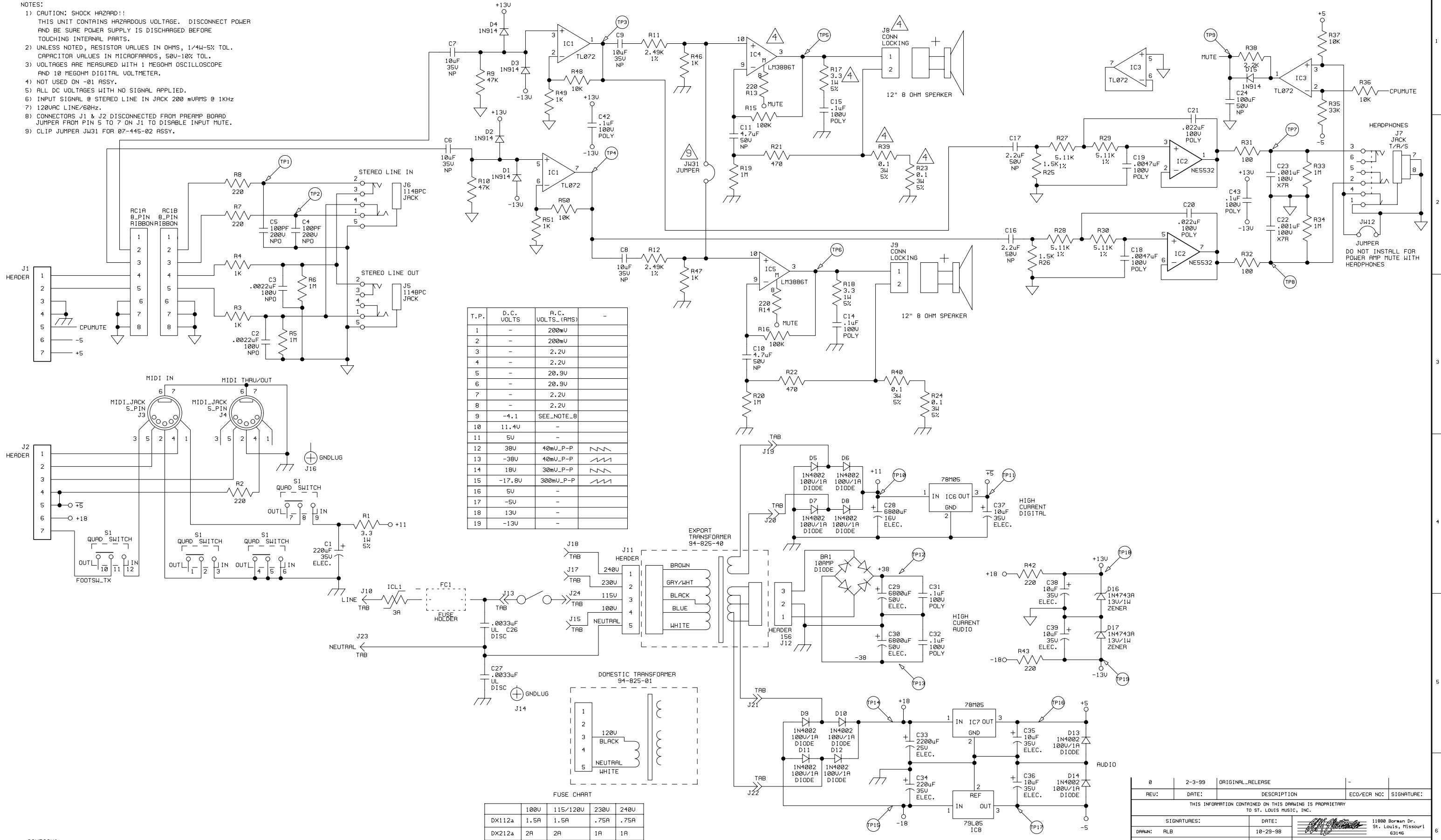


- NOTES:
- 1) CAUTION: SHOCK HAZARD!! THIS UNIT CONTAINS HAZARDOUS VOLTAGE. DISCONNECT POWER AND BE SURE POWER SUPPLY IS DISCHARGED BEFORE TOUCHING INTERNAL PARTS.
 - 2) UNLESS NOTED, RESISTOR VALUES IN OHMS, 1/4W-5% TOL. CAPACITOR VALUES IN MICROFARADS, 50V-10% TOL.
 - 3) VOLTAGES ARE MEASURED WITH 1 MEGOHM OSCILLOSCOPE AND 10 MEGOHM DIGITAL VOLTMETER.
 - 4) NOT USED ON -01 ASSY.
 - 5) ALL DC VOLTAGES WITH NO SIGNAL APPLIED.
 - 6) INPUT SIGNAL @ STEREO LINE IN JACK 200 mVRMS @ 1KHz
 - 7) 120VAC LINE/60Hz.
 - 8) CONNECTORS J1 & J2 DISCONNECTED FROM PREAMP BOARD JUMPER FROM PIN 5 TO 7 ON J1 TO DISABLE INPUT MUTE.
 - 9) CLIP JUMPER JW31 FOR 07-445-02 ASSY.



T.P.	D.C. VOLTS	A.C. VOLTS (RMS)	-
1	-	200mV	
2	-	200mV	
3	-	2.2V	
4	-	2.2V	
5	-	20.9V	
6	-	20.9V	
7	-	2.2V	
8	-	2.2V	
9	-4.1	SEE NOTE 8	
10	11.4V	-	
11	5V	-	
12	38V	40mV P-P	~
13	-38V	40mV P-P	~
14	18V	30mV P-P	~
15	-17.8V	30mV P-P	~
16	5V	-	
17	-5V	-	
18	13V	-	
19	-13V	-	

FUSE CHART

	100V	115/120V	230V	240V
DX112a	1.5A	1.5A	.75A	.75A
DX212a	2A	2A	1A	1A

ALL FUSE TYPES ARE SLOBLO, 250VAC

CAUTION: THIS SCHEMATIC IS PROVIDED FOR USE BY QUALIFIED PERSONNEL. TO AVOID RISK OF ELECTRIC SHOCK, REFER SERVICING TO QUALIFIED SERVICE PERSONNEL. DO NOT PERFORM ANY SERVICING BEYOND THAT EXPLAINED IN THE OPERATING INSTRUCTIONS.

REV: 0	DATE: 2-3-99	DESCRIPTION: ORIGINAL RELEASE	ECO/ECR NO: -	SIGNATURE: -
THIS INFORMATION CONTAINED ON THIS DRAWING IS PROPRIETARY TO ST. LOUIS MUSIC, INC.				
SIGNATURES:		DATE:		11880 Bowman Dr. St. Louis, Missouri 63146
DRAWN: RLB	DATE: 10-29-98		ORIGINAL USED ON: DX-112a/212a	
CHK'D: OK	DATE: 10-29-98		APP'D: -	
TOLERANCES:	DRAWING SIZE: D	ITEM DESCRIPTION: POWER_AMP_SCHEMATIC		
	DRAWING TYPE:	DRAWING NO. 07S445-01/02		
	CLASS CODE:	SCALE: NONE SHEET: SHT 1 OF 1		

LAST USED IC 8 J23 D17 R51 C43