

CHANNELS 1-4

CHANNEL 1 SHOWN... CHANNELS 2-4 IDENTICAL EXCEPT ADD 100 TO EACH DESIGNATOR.

IC1 FOR CHANNELS 1 AND 2

IC2 FOR CHANNELS 3 AND 4

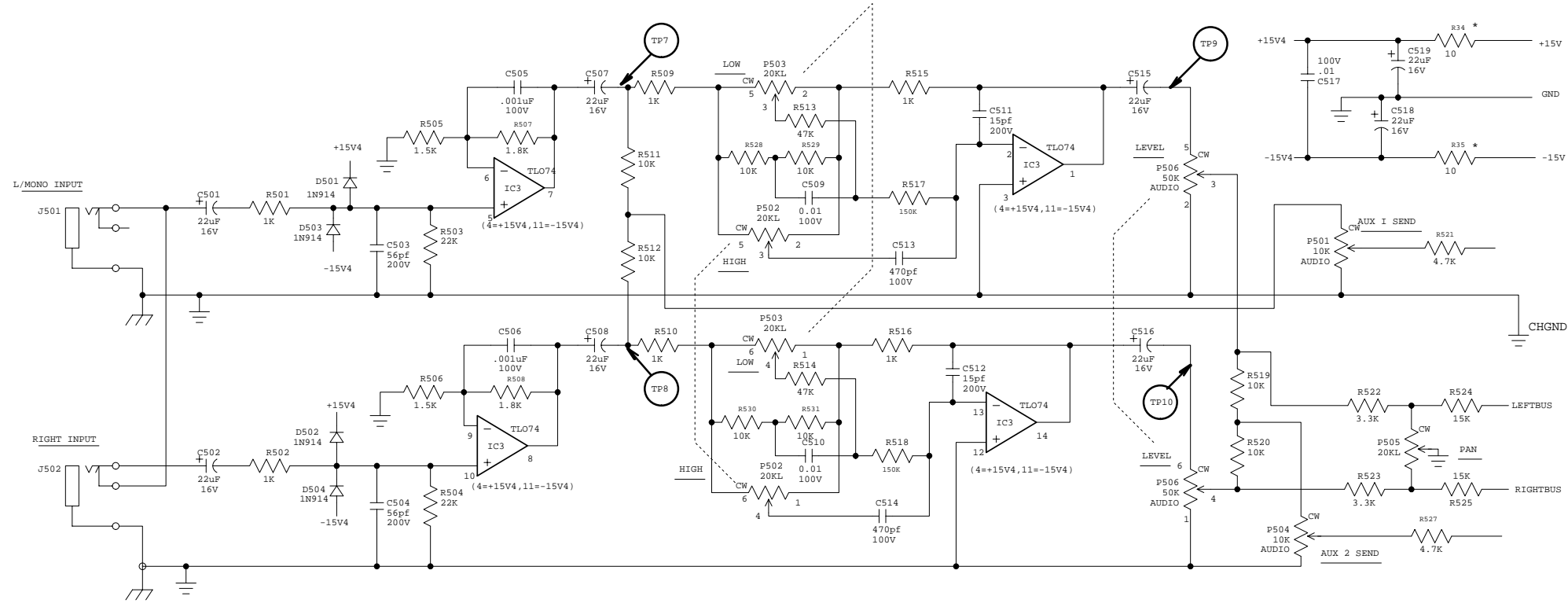
*THESE PARTS ONLY APPEAR ON CHANNELS 1 & 3.

NOTES:

- 1) THIS UNIT CONTAINS HAZARDOUS VOLTAGE. DISCONNECT POWER AND BE SURE POWER SUPPLY IS DISCHARGED BEFORE TOUCHING INTERNAL PARTS.
- 2) UNLESS NOTED, RESISTOR VALUES IN OHMS, 1/4W-5% TOL. CAPACITOR VALUES IN MICROFARADS, 50V-10% TOL.
- 3) VOLTAGES ARE MEASURED WITH 1 MEGOHM OSCILLOSCOPE AND 10 MEGOHM DIGITAL VOLTMETER.

CAUTION:
THIS SCHEMATIC IS PROVIDED FOR USE BY QUALIFIED PERSONNEL. TO AVOID RISK OF ELECTRIC SHOCK, REFER SERVICING TO QUALIFIED SERVICE PERSONNEL. DO NOT PERFORM ANY SERVICING BEYOND THAT EXPLAINED IN THE OPERATING INSTRUCTIONS.

5	4-22-97	RLB		MOVED VIA UNDER CLIP PER 970099
4	8-20-96	SWR		UPDATE DRILL PER ECO 960299
3	7-19-96	RLB	XXX	UPDATE_TO_MATCH_DRILL
2	4-19-96	REM	XXX	UPDATE_TO_MATCH_DRILL
1	01/18/95	REM	JP	NO_CHANGE...REV_TO_MATCH_PICT
REV	DATE	BY	CHK'D	DESCRIPTION
SIGNATURES:		DATE:		11880 BURMAN DR. ST. LOUIS, MISSOURI 63146
DRAWN:	REM	12/21/95		
CHK'D:	JP	12/21/95		PROJECT NAME: ACM-842
APP'D:	JP	12/21/95		DRAWING NAME: SCHEMATIC
ORIGINAL ISSUED:		12/21/95		
PLOT DATE:				DRAWING NO. 07S671-01 REV. 5
FILE NAME:	67101C5_			SCALE: NONE SHEET: 1_OF_4



CHANNELS 5/6 & 7/8

CHANNELS 5/6 SHOWN... CHANNELS 7/8 IDENTICAL EXCEPT ADD 100 TO DESIGNATOR.
 IC3 FOR CHANNELS 5 AND 6
 IC4 FOR CHANNELS 7 AND 8
 * ONE PAIR OF SUPPLY RESISTORS FOR ALL STEREO CHANNELS (5/6 & 7/8).

NOTES:
 1) THIS UNIT CONTAINS HAZARDOUS VOLTAGE. DISCONNECT POWER AND BE SURE POWER SUPPLY IS DISCHARGED BEFORE TOUCHING INTERNAL PARTS.
 2) UNLESS NOTED, RESISTOR VALUES IN OHMS, 1/4W-5% TOL. CAPACITOR VALUES IN MICROPARADS, 50V-10% TOL.
 3) VOLTAGES ARE MEASURED WITH 1 MEGOHM OSCILLOSCOPE AND 10 MEGOHM DIGITAL VOLTMETER.

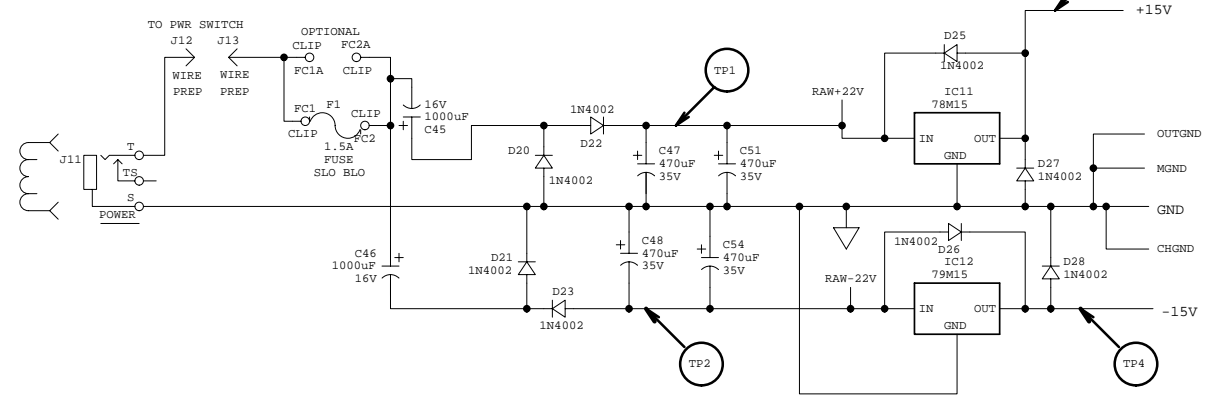
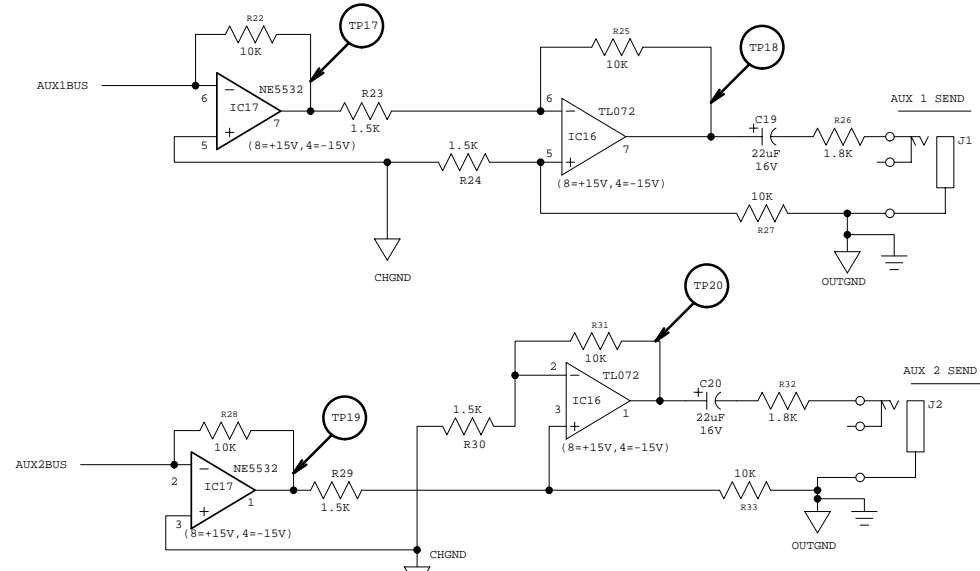
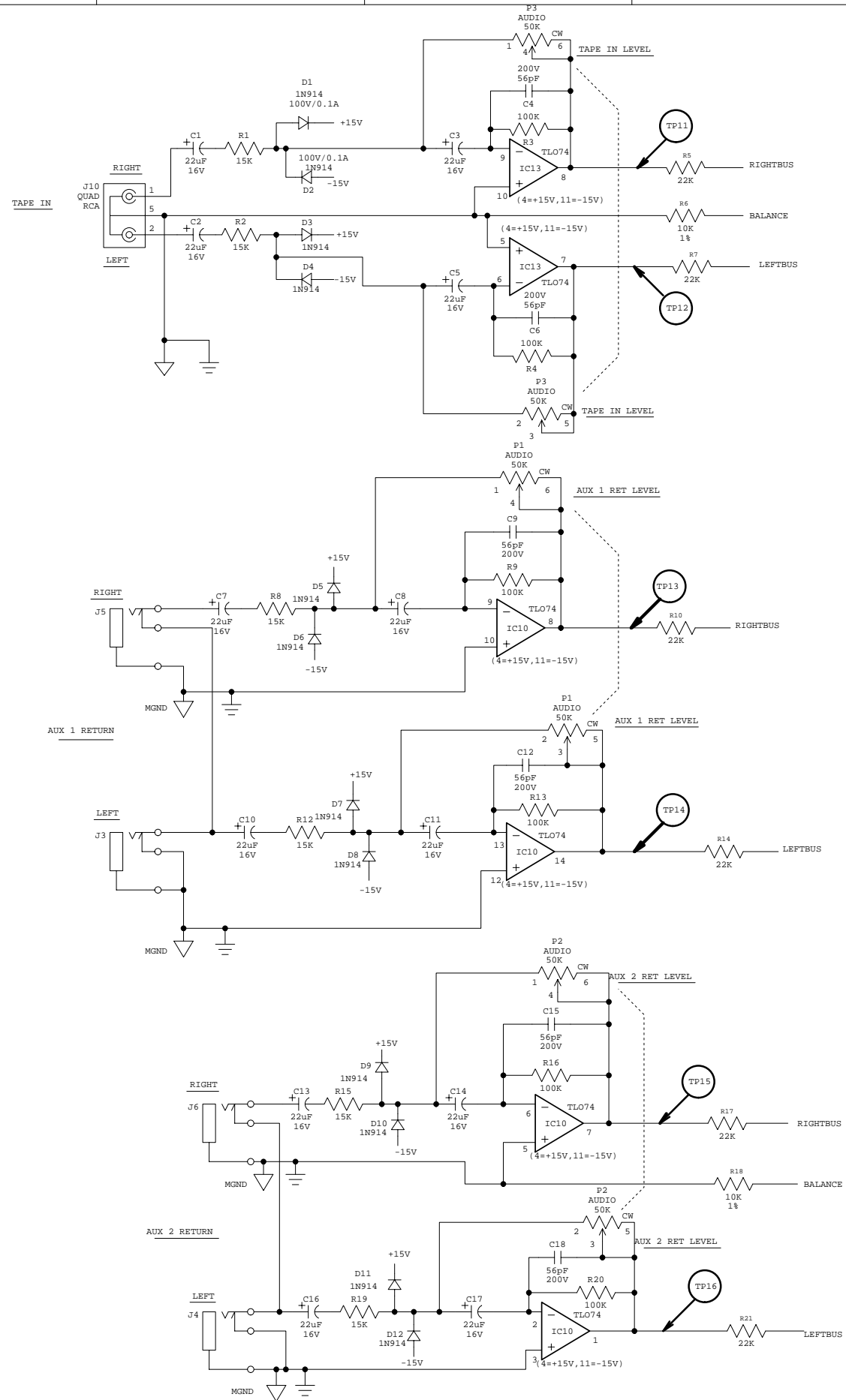
CAUTION:
 THIS SCHEMATIC IS PROVIDED FOR USE BY QUALIFIED PERSONNEL. TO AVOID RISK OF ELECTRIC SHOCK, REFER SERVICING TO QUALIFIED SERVICE PERSONNEL. DO NOT PERFORM ANY SERVICING BEYOND THAT EXPLAINED IN THE OPERATING INSTRUCTIONS.

TEST POINTS	VOLTAGE	TEST POINTS	VOLTAGE
1	+20V TO +28V DC	17	0.15VAC
2	-20V TO -28V DC	18	1.0VAC
3	+15VDC	19	0.15VAC
4	-15VDC	20	1.0VAC
5	0.20VAC	21	0.082VAC
6	0.20VAC	22	2.0VAC
7	*0.095VAC	23	2.0VAC
8	*0.095VAC	24	1.88VAC
9	*0.095VAC	25	1.88VAC
10	*0.095VAC	26	0.082VAC
11	**0.085VAC	27	2.0VAC
12	**0.085VAC	28	2.0VAC
13	**0.085VAC	29	8.6VAC
14	**0.085VAC	30	8.6VAC
15	**0.085VAC	31	1.9VDC
16	**0.085VAC	32	1.9VDC

CONDITIONS
 WITH 10VAC INPUT TO POWER JACK J11 WITH SIGNAL INPUT TO MIC IN, 10kHz, 330microvolts, 200ohm source. ALL GAINS AND FADERS AT MAXIMUM SETTINGS, EQ FLAT. ALL MEASUREMENTS -40%+60%(4dB)
 * WITH 44mv INPUT TO STEREO CHANNELS
 ** WITH .11mv TO TAPE L & R, AUX 1 & AUX 2 (SET TO FULL GAIN)

REV	DATE	BY	CHK'D	DESCRIPTION
5	4-22-97	RLB		MOVED VIA UNDER CLIP PER 970099
4	8-20-96	SWR		UPDATE DRILL PER ECO 960299
3	7-19-96	RLB	XXX	UPDATE_TO_MATCH_DRILL
2	4-19-96	REM	XXX	UPDATE_TO_MATCH_DRILL
1	01/18/95	REM	JP	NO_CHANGE...REV_TO_MATCH_PICT

SIGNATURES:	DATE:	11880 BORMAN DR. ST. LOUIS, MISSOURI 63146
DRAWN: REM	12/21/95	
CHK'D: JP	12/21/95	PROJECT NAME:
APP'D: JP	12/21/95	ACM-842
ORIGINAL ISSUED:	12/21/95	DRAWING NAME:
		SCHEMATIC
PLOT DATE:		DRAWING NO. 07S671-01
FILE NAME: 67101C5_	SCALE: NONE	REV. 5
	SHEET: 2_OF_4	



DESIGNATORS

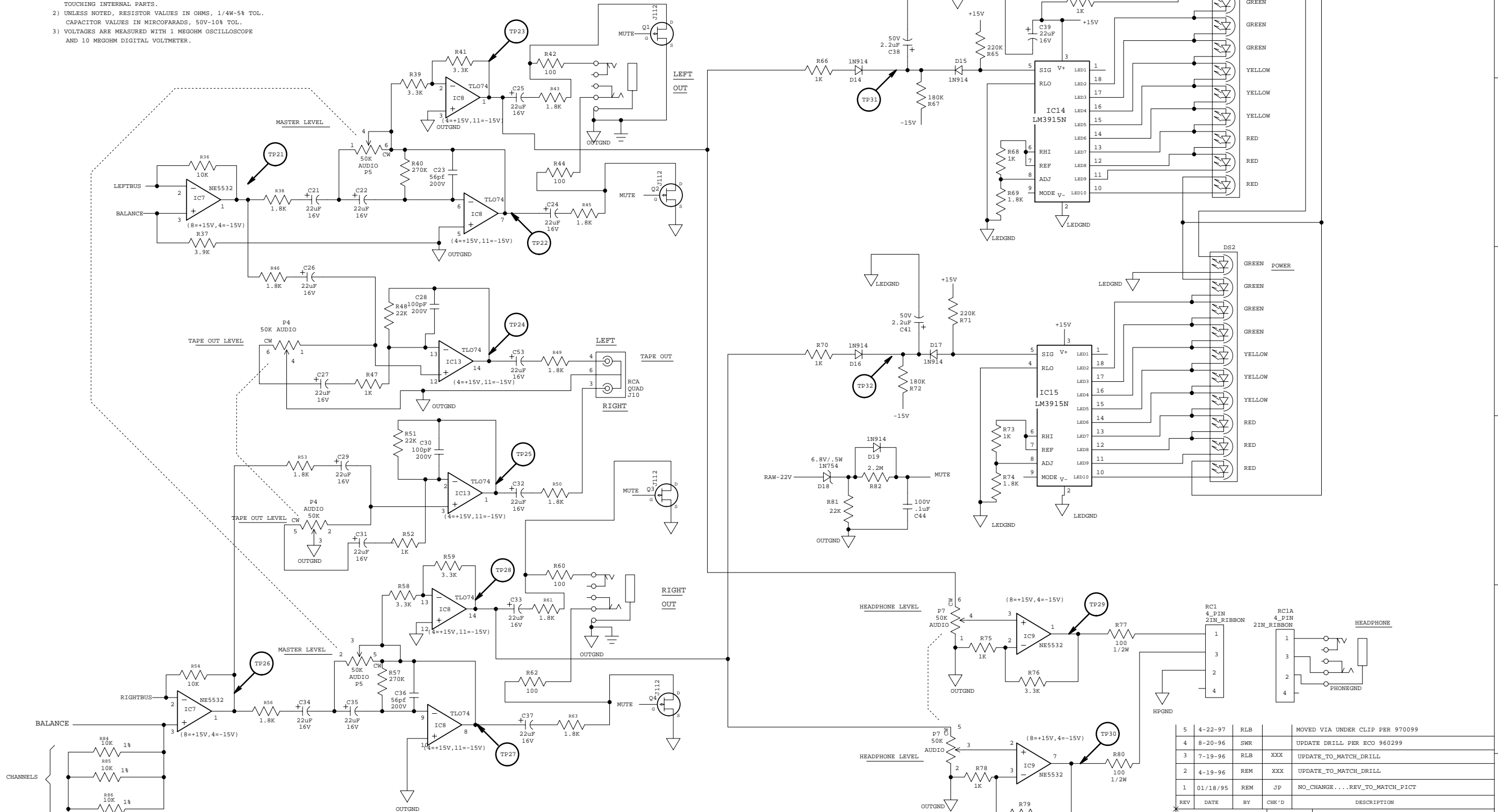
LAST MSTR USED	LAST CHAN USED	NOT USED
J13	R433	C42, C43
R86	C419	D24, D103, D104
C54		IC5-6, P6, R55
D28		R55, R83, R129
Q4	R629	R526, Q102
IC17	C619	

CAUTION:
THIS SCHEMATIC IS PROVIDED FOR USE BY QUALIFIED PERSONNEL.
TO AVOID RISK OF ELECTRIC SHOCK, REFER SERVICING TO QUALIFIED SERVICE PERSONNEL. DO NOT PERFORM ANY SERVICING BEYOND THAT EXPLAINED IN THE OPERATING INSTRUCTIONS.

- NOTES:
- THIS UNIT CONTAINS HAZARDOUS VOLTAGE. DISCONNECT POWER AND BE SURE POWER SUPPLY IS DISCHARGED BEFORE TOUCHING INTERNAL PARTS.
 - UNLESS NOTED, RESISTOR VALUES IN OHMS, 1/4W-5% TOL. CAPACITOR VALUES IN MICROFARADS, 50V-10% TOL.
 - VOLTAGES ARE MEASURED WITH 1 MEGOHM OSCILLOSCOPE AND 10 MEGOHM DIGITAL VOLTMETER.

5	4-22-97	RLB		MOVED VIA UNDER CLIP PER 970099
4	8-20-96	SWR		UPDATE DRILL PER ECO 960299
3	7-19-96	RLB	XXX	UPDATE_TO_MATCH_DRILL
2	4-19-96	REM	XXX	UPDATE_TO_MATCH_DRILL
1	01/18/95	REM	JP	NO_CHANGE...REV_TO_MATCH_PICT
REV	DATE	BY	CHK'D	DESCRIPTION
SIGNATURES:		DATE:	11880 BORMAN DR. ST. LOUIS, MISSOURI 63146	
DRAWN:	REM	12/21/95	PROJECT NAME:	ACM-842
CHK'D:	JP	12/21/95	DRAWING NAME:	SCHEMATIC
APP'D:	JP	12/21/95	DRAWING NO.	07S671-01
ORIGINAL ISSUED:		12/21/95	REV.	5
PLOT DATE:			FILE NAME:	67101C5_
SCALE:	NONE	SHEET:	3_OF_4	

- NOTES:
- 1) THIS UNIT CONTAINS HAZARDOUS VOLTAGE. DISCONNECT POWER AND BE SURE POWER SUPPLY IS DISCHARGED BEFORE TOUCHING INTERNAL PARTS.
 - 2) UNLESS NOTED, RESISTOR VALUES IN OHMS, 1/4W-5% TOL. CAPACITOR VALUES IN MICROFARADS, 50V-10% TOL.
 - 3) VOLTAGES ARE MEASURED WITH 1 MEGOHM OSCILLOSCOPE AND 10 MEGOHM DIGITAL VOLTMETER.



CAUTION:
THIS SCHEMATIC IS PROVIDED FOR USE BY QUALIFIED PERSONNEL.
TO AVOID RISK OF ELECTRIC SHOCK, REFER SERVICING TO QUALIFIED
SERVICE PERSONNEL. DO NOT PERFORM ANY SERVICING BEYOND
THAT EXPLAINED IN THE OPERATING INSTRUCTIONS.

REV	DATE	BY	CHK'D	DESCRIPTION
5	4-22-97	RLB		MOVED VIA UNDER CLIP PER 970099
4	8-20-96	SWR		UPDATE DRILL PER ECO 960299
3	7-19-96	RLB	XXX	UPDATE_TO_MATCH_DRILL
2	4-19-96	REM	XXX	UPDATE_TO_MATCH_DRILL
1	01/18/95	REM	JP	NO_CHANGE...REV_TO_MATCH_PICT

SIGNATURES:		DATE:	11880 BORMAN DR.
DRAWN:	REM	12/21/95	ST. LOUIS, MISSOURI
CHK'D:	JP	12/21/95	63146
APP'D:	JP	12/21/95	PROJECT NAME:
ORIGINAL ISSUED:	12/21/95	DRAWING NAME:	
		DRAWING NO. 07S671-01	
PLOT DATE:		REV. 5	
FILE NAME:	67101CS_	SCALE: NONE	SHEET: 4_OF_4