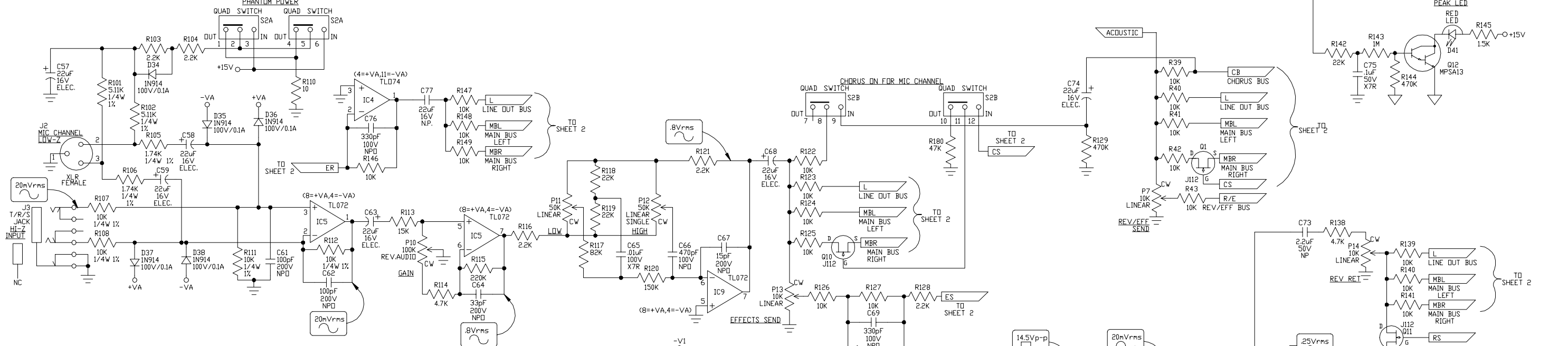
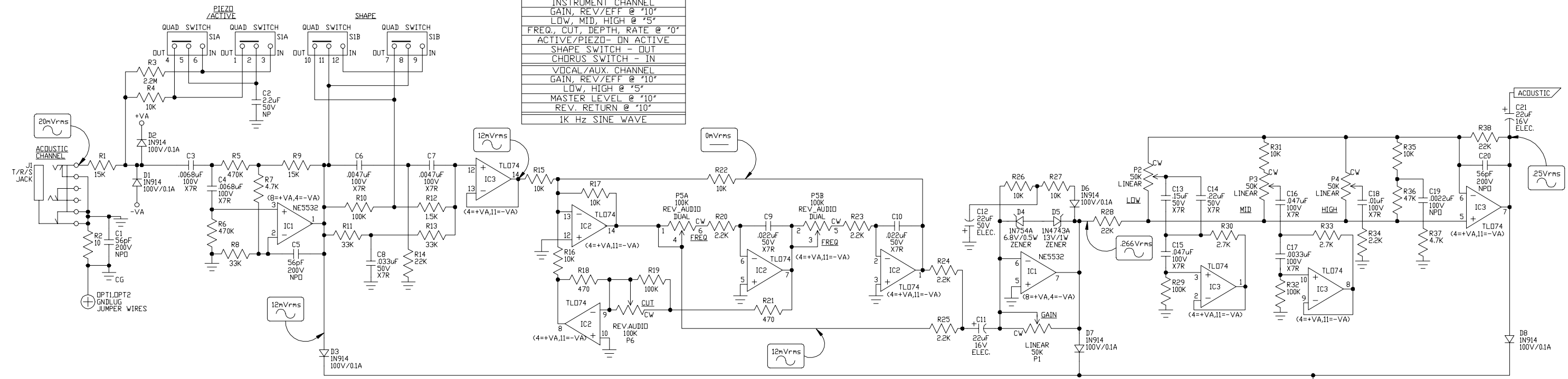


TEST CONDITIONS:  
 INSTRUMENT CHANNEL  
 GAIN, REV/EFF @ '10'  
 LOW, MID, HIGH @ '5'  
 FREQ. CUT, DEPTH, RATE @ '0'  
 ACTIVE/PIEZO- ON ACTIVE  
 SHAPE SWITCH - OUT  
 CHORUS SWITCH - IN  
 VOCAL/AUX. CHANNEL  
 GAIN, REV/EFF @ '10'  
 LOW, HIGH @ '5'  
 MASTER LEVEL @ '10'  
 REV. RETURN @ '10'  
 1K Hz SINE WAVE

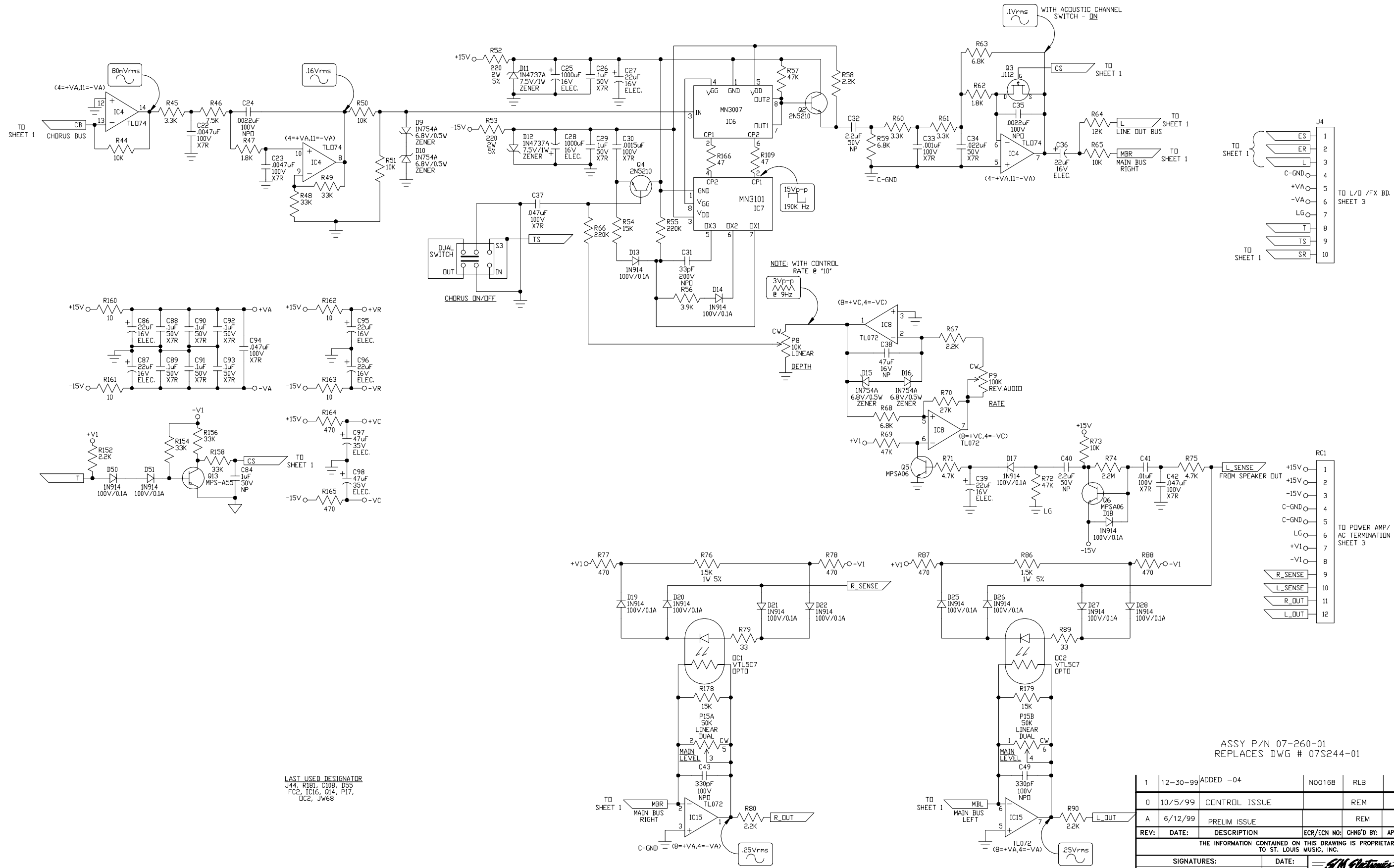


- NOTES**
- CAUTION: SHOCK HAZARD!! THIS UNIT CONTAINS HAZARDOUS VOLTAGE. DISCONNECT POWER AND BE SURE POWER SUPPLY IS DISCHARGED BEFORE TOUCHING INTERNAL PARTS.
  - UNLESS NOTED, RESISTOR VALUES IN OHMS, 1/4W-5% TOL. CAPACITOR VALUES IN MICROFARADS, 50V-10% TOL.
  - VOLTAGES ARE MEASURED WITH 1 MEGOHM OSCILLOSCOPE AND 10 MEGOHM DIGITAL VOLTMETER.
  - CHASSIS GROUND  $\perp$  SIGNAL GROUND  $\nabla$  CIRCUIT GROUND  $\perp$

**CAUTION:**  
 THIS SCHEMATIC IS PROVIDED FOR USE BY QUALIFIED PERSONNEL. TO AVOID RISK OF ELECTRIC SHOCK, REFER SERVICING TO QUALIFIED SERVICE PERSONNEL. DO NOT PERFORM ANY SERVICING BEYOND THAT EXPLAINED IN THE OPERATING INSTRUCTIONS.

ASSY P/N 07-260-01  
 REPLACES DWG # 07S244-01

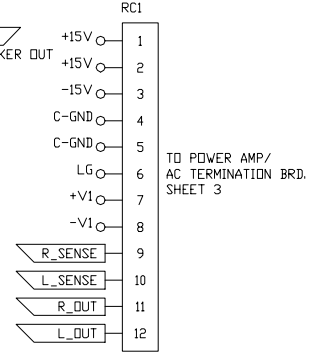
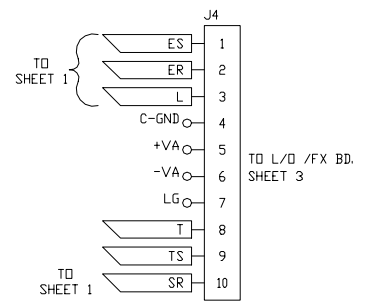
1	12-30-99	ADDED -04	N00168	RLB	
0	10/5/99	CONTROL ISSUE		REM	
A	6/12/99	PRELIM ISSUE		REM	
REV:	DATE:	DESCRIPTION	ECR/ECN NO:	CHNG'D BY:	APPR'D BY:
THE INFORMATION CONTAINED ON THIS DRAWING IS PROPRIETARY TO ST. LOUIS MUSIC, INC.					
SIGNATURES:		DATE:	11890 Borman Dr. St. Louis, Missouri 63146		
DRAWN:	REM	6/12/99	FIRST USED ON:		
CHK'D:		6/12/99	CA60a/CA60Da		
RLS'D:			DRAWING TITLE:		
DRAWING SIZE: D		SCHEMO - ACOUSTIC AMP			
DRAWING TYPE: SCHEMO		DRAWING NO.:			
CLASS CODE:		07S260-XX			
SCALE: NONE		SHEET: 1 OF 6			

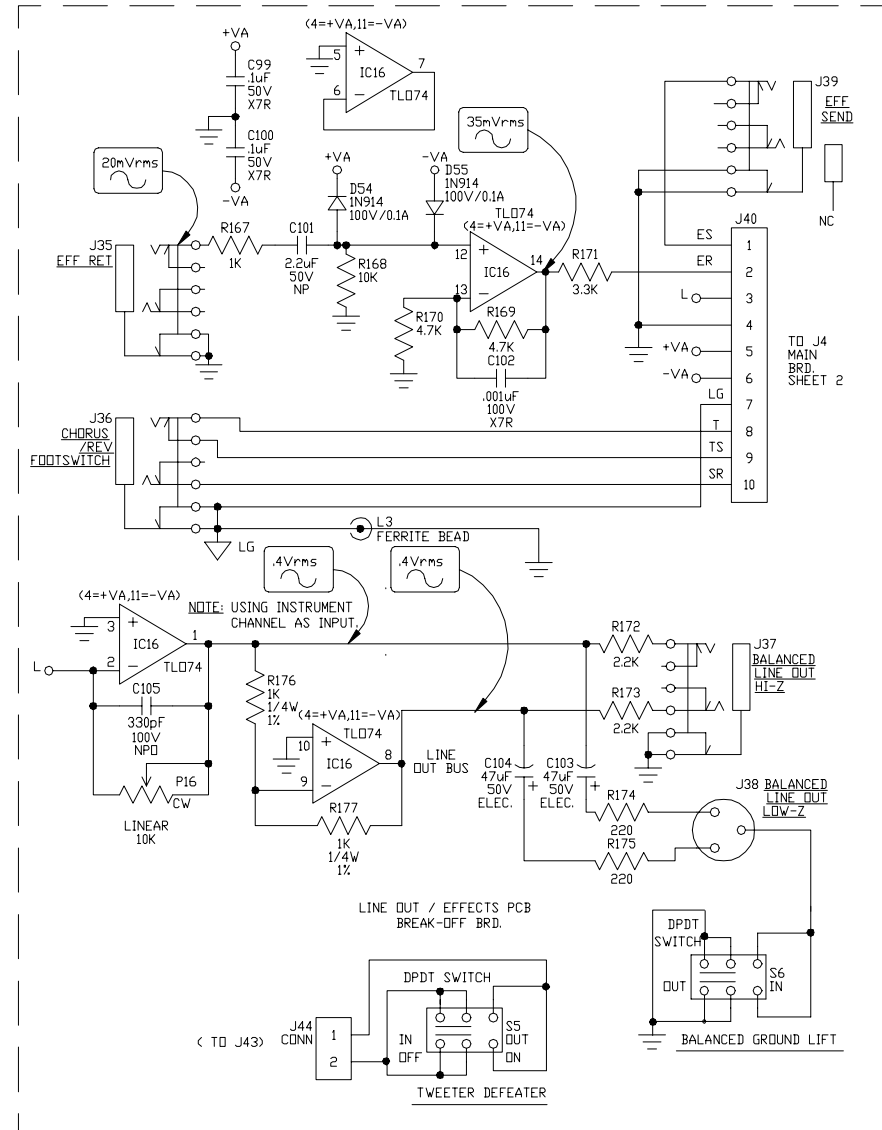
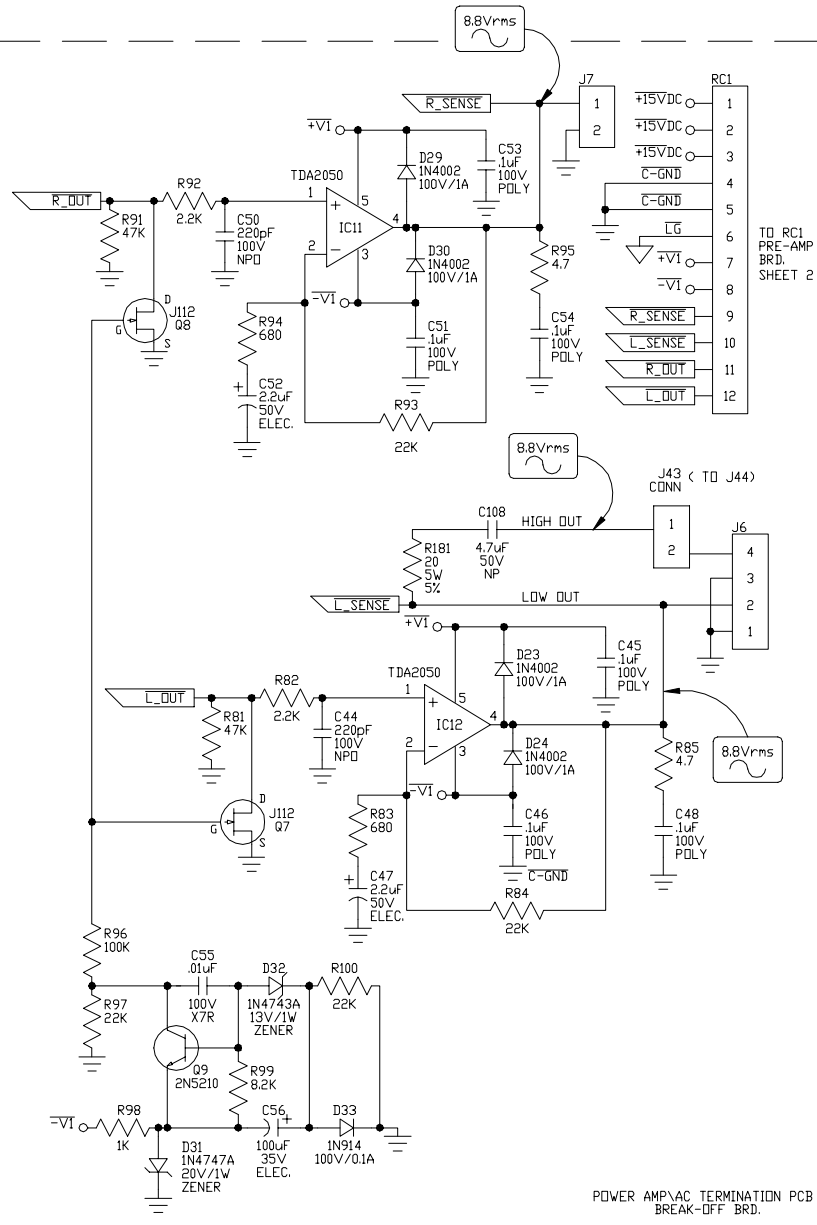
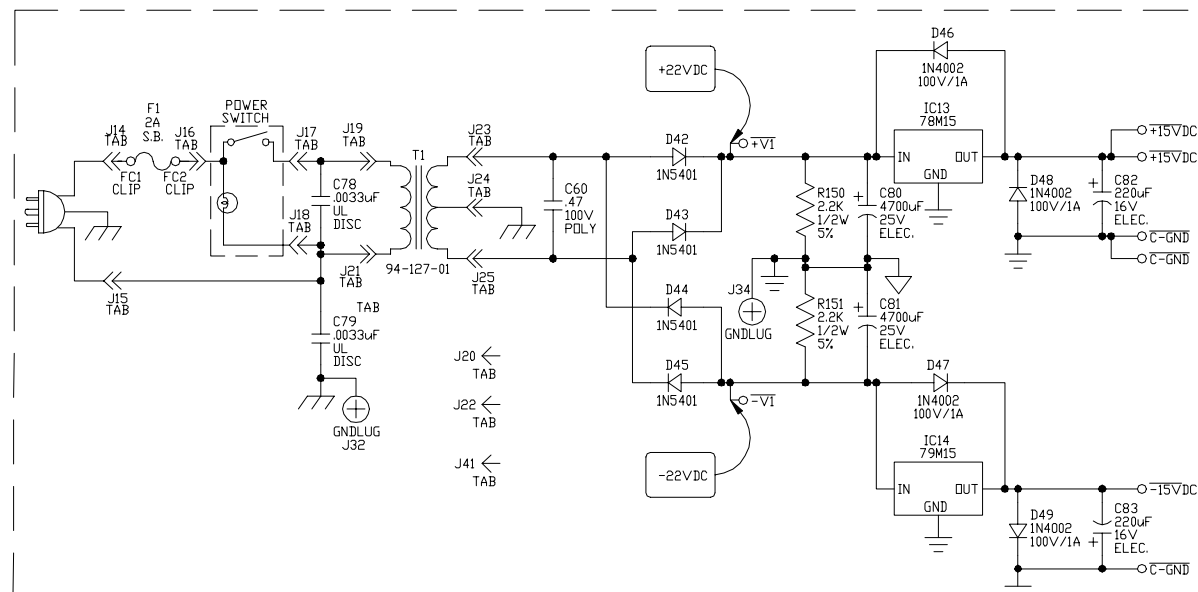


LAST USED DESIGNATOR  
 J44, R181, C108, D55  
 FC2, IC16, Q14, P17,  
 DC2, JW68

ASSY P/N 07-260-01  
 REPLACES DWG # 07S244-01

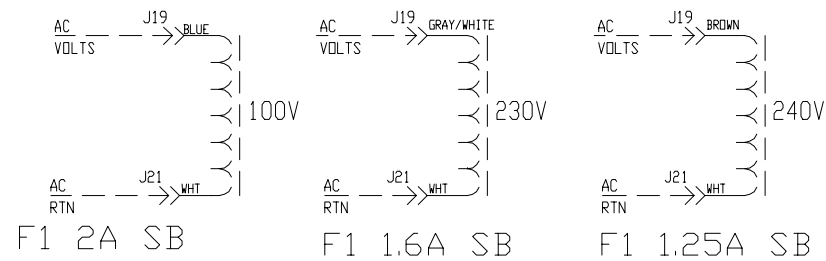
1	12-30-99	ADDED -04	N00168	RLB	
0	10/5/99	CONTROL ISSUE		REM	
A	6/12/99	PRELIM ISSUE		REM	
REV:	DATE:	DESCRIPTION	ECR/ECN NO:	CHNG'D BY:	APPR'D BY:
THE INFORMATION CONTAINED ON THIS DRAWING IS PROPRIETARY TO ST. LOUIS MUSIC, INC.					
SIGNATURES:		DATE:		11890 Borman Dr. St. Louis, Missouri 63146	
DRAWN: REM		6/12/99		FIRST USED ON: CA60a/CA60Da	
CHK'D:		6/12/99		DRAWING TITLE: SCHEMO - ACOUSTIC AMP	
RLS'D:				DRAWING NO.: 07S260-XX	
TOLERANCES:		DRAWING SIZE: D		SCALE: NONE	
		DRAWING TYPE: SCHEMO		SHEET: 2 OF 6	





**EXPORT WIRING**

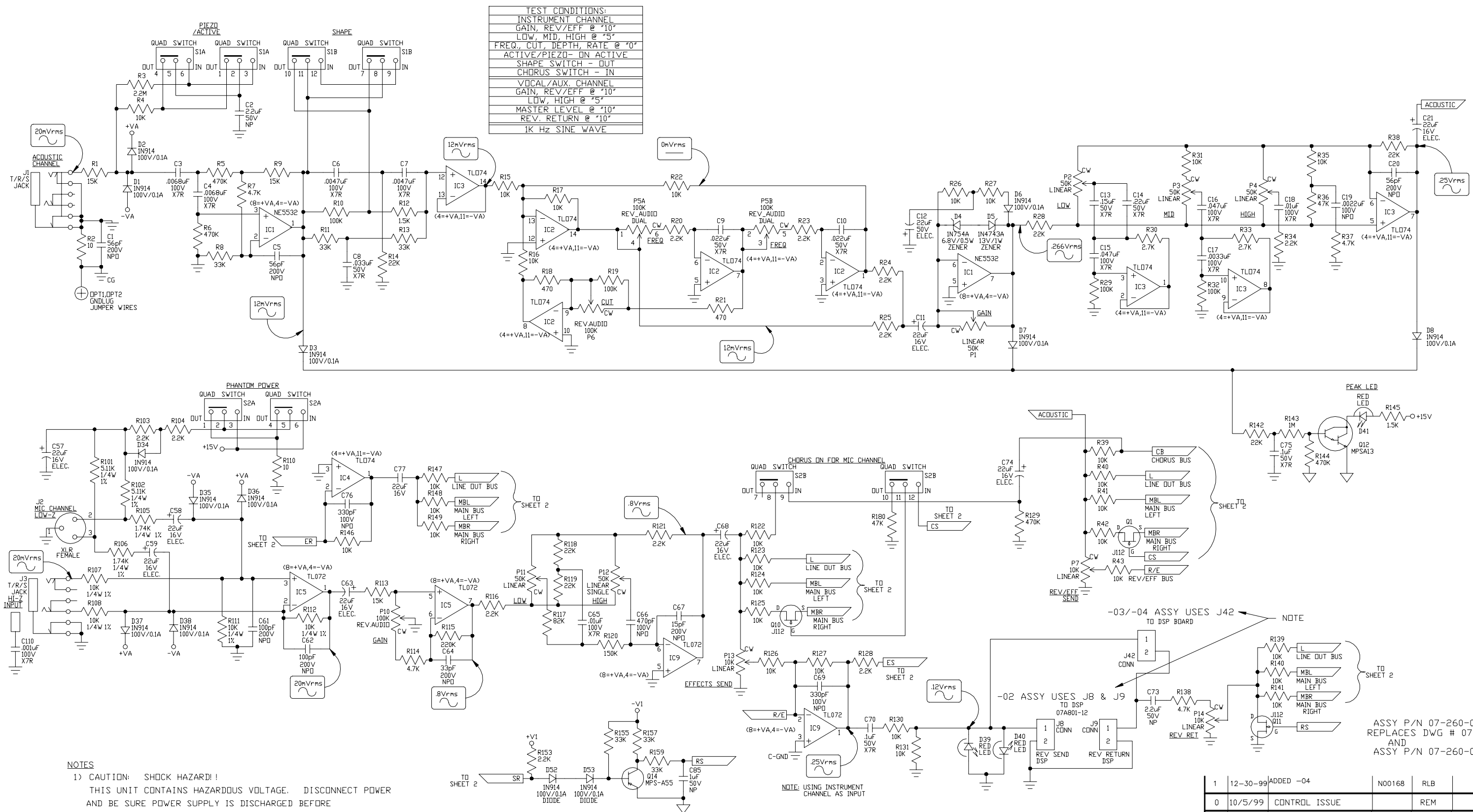
94-127-40  
TRANSFORMER



USE J20, J22, OR J41 FOR UNUSED PRIMARY LEADS.

ASSY P/N 07-260-01  
REPLACES DWG # 07S244-01

1	12-30-99	ADDED -04	N00168	RLB		
0	10/5/99	CONTROL ISSUE		REM		
A	6/12/99	PRELIM ISSUE		REM		
REV:	DATE:	DESCRIPTION	ECR/ECN NO:	CHNG'D BY:	APPR'D BY:	DATE:
THE INFORMATION CONTAINED ON THIS DRAWING IS PROPRIETARY TO ST. LOUIS MUSIC, INC.						
SIGNATURES:		DATE:		11890 Borman Dr. St. Louis, Missouri 63146		
DRAWN: REM		6/12/99		FIRST USED ON: CA60a/CA60Da		
CHK'D:		6/12/99		DRAWING TITLE: SCHEMO - ACOUSTIC AMP		
RLS'D:				DRAWING NO.: 07S260-XX		
TOLERANCES:	DRAWING SIZE: D	DRAWING TITLE:		DRAWING NO.:		
	DRAWING TYPE: SCHEMO	SCHEMO - ACOUSTIC AMP				
	CLASS CODE:	DRAWING NO.:				
	SCALE: NONE	SHEET: 3 OF 6				



TEST CONDITIONS:  
 INSTRUMENT CHANNEL  
 GAIN, REV/EFF @ "10"  
 LOW, MID, HIGH @ "5"  
 FREQ. CUT, DEPTH, RATE @ "0"  
 ACTIVE/PIEZO - ON ACTIVE  
 SHAPE/PIEZO - OUT  
 CHORUS SWITCH - IN  
 VDCAL/AUX. CHANNEL  
 GAIN, REV/EFF @ "10"  
 LOW, HIGH @ "5"  
 MASTER LEVEL @ "10"  
 REV. RETURN @ "10"  
 1K HZ SINE WAVE

- NOTES**
- 1) CAUTION: SHOCK HAZARD!! THIS UNIT CONTAINS HAZARDOUS VOLTAGE. DISCONNECT POWER AND BE SURE POWER SUPPLY IS DISCHARGED BEFORE TOUCHING INTERNAL PARTS.
  - 2) UNLESS NOTED, RESISTOR VALUES IN OHMS, 1/4W-5% TOL. CAPACITOR VALUES IN MICROFARADS, 50V-10% TOL.
  - 3) VOLTAGES ARE MEASURED WITH 1 MEGOHM OSCILLOSCOPE AND 10 MEGOHM DIGITAL VOLTMETER.
  - 4) CHASSIS GROUND  $\equiv$  SIGNAL GROUND  $\nabla$  CIRCUIT GROUND  $\nabla$

**CAUTION:**  
 THIS SCHEMATIC IS PROVIDED FOR USE BY QUALIFIED PERSONNEL. TO AVOID RISK OF ELECTRIC SHOCK, REFER SERVICING TO QUALIFIED SERVICE PERSONNEL. DO NOT PERFORM ANY SERVICING BEYOND THAT EXPLAINED IN THE OPERATING INSTRUCTIONS.

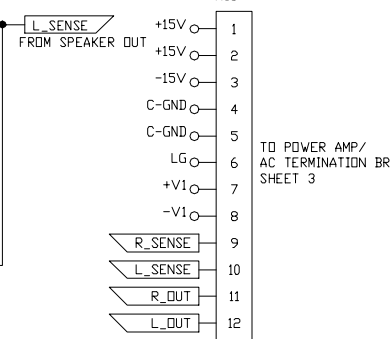
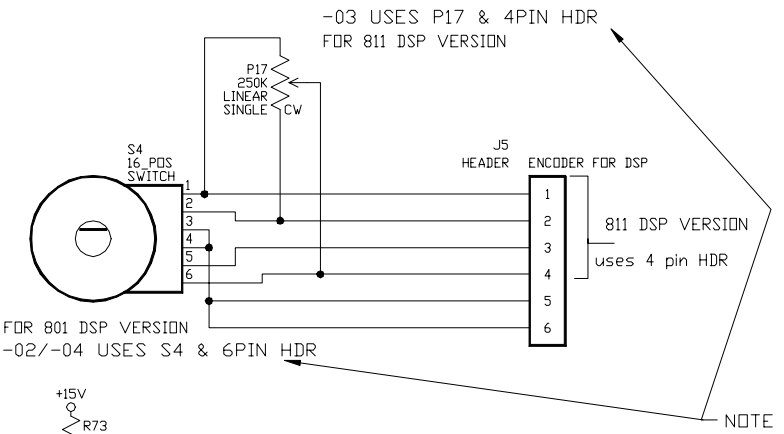
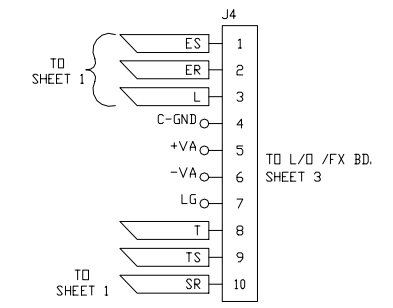
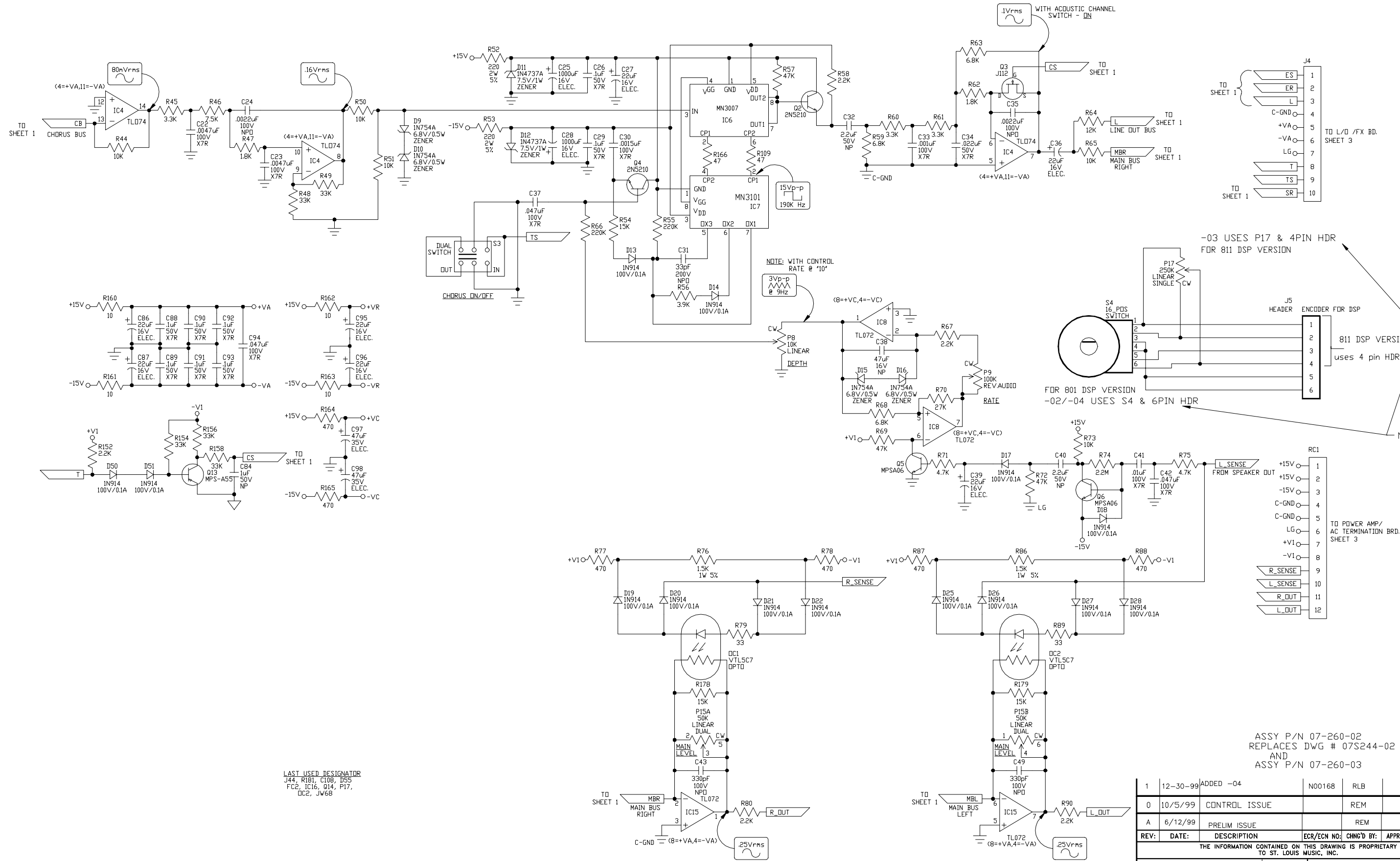
1	12-30-99	ADDED -04	N00168	RLB		
0	10/5/99	CONTROL ISSUE		REM		
A	6/12/99	PRELIM ISSUE		REM		
REV:	DATE:	DESCRIPTION	ECR/ECN NO:	CHNG'D BY:	APPR'D BY:	DATE:
THE INFORMATION CONTAINED ON THIS DRAWING IS PROPRIETARY TO ST. LOUIS MUSIC, INC.						
SIGNATURES:			DATE:			
DRAWN: REM			6/12/99		11880 Borman Dr. St. Louis, Missouri 63146	
CHK'D:			6/12/99		FIRST USED ON:	
RLS'D:					CA60a/CA60d	
TOLERANCES:			DRAWING SIZE: D		DRAWING TITLE: SCHEMO - ACOUSTIC AMP	
			DRAWING TYPE: SCHEMO		DRAWING NO.:	
			CLASS CODE:		07S260-XX	
			SCALE: NONE		SHEET: 4 OF 6	

ASSY P/N 07-260-02 REPLACES DWG # 07S244-02 AND ASSY P/N 07-260-03/04

-03/-04 ASSY USES J42 TO DSP BOARD

-02 ASSY USES J8 & J9 TO DSP 07A801-12

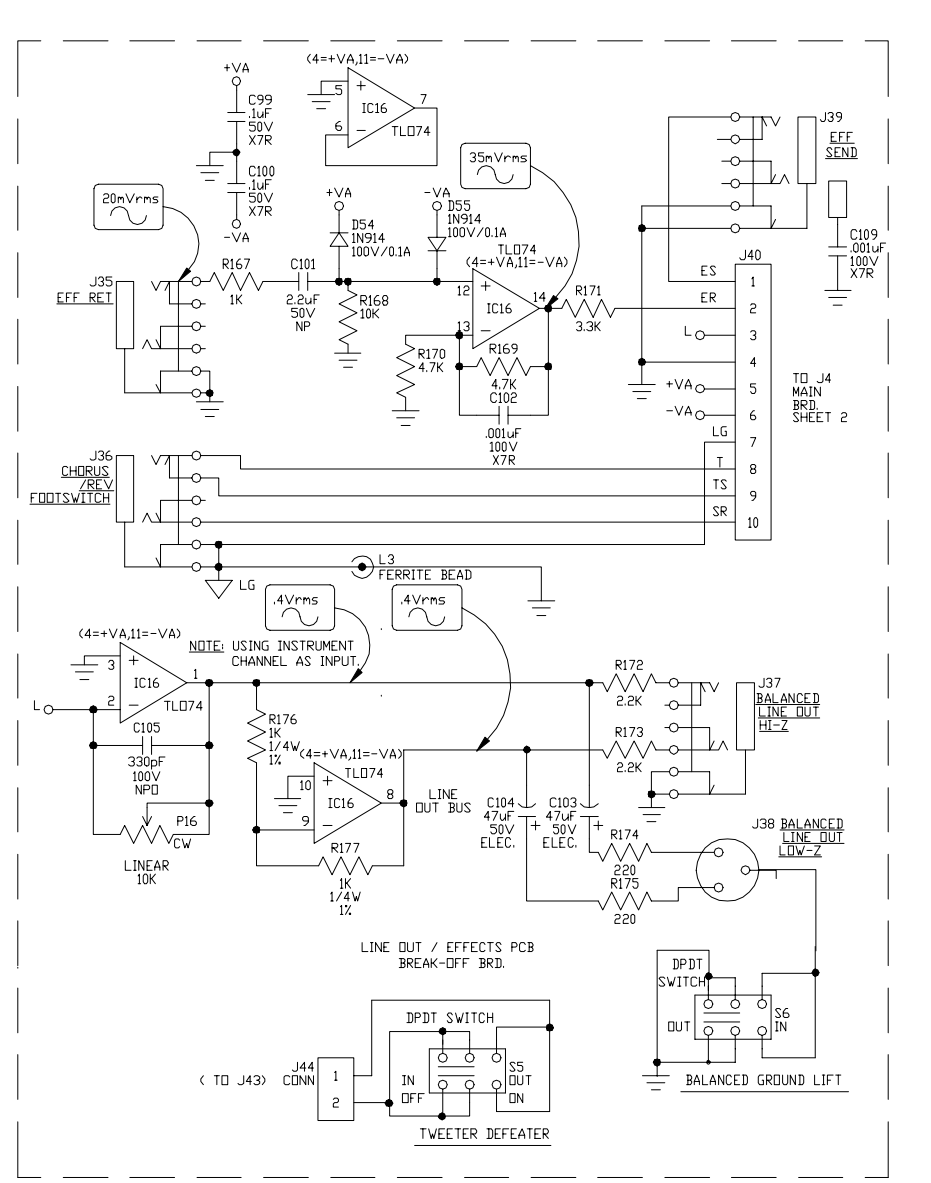
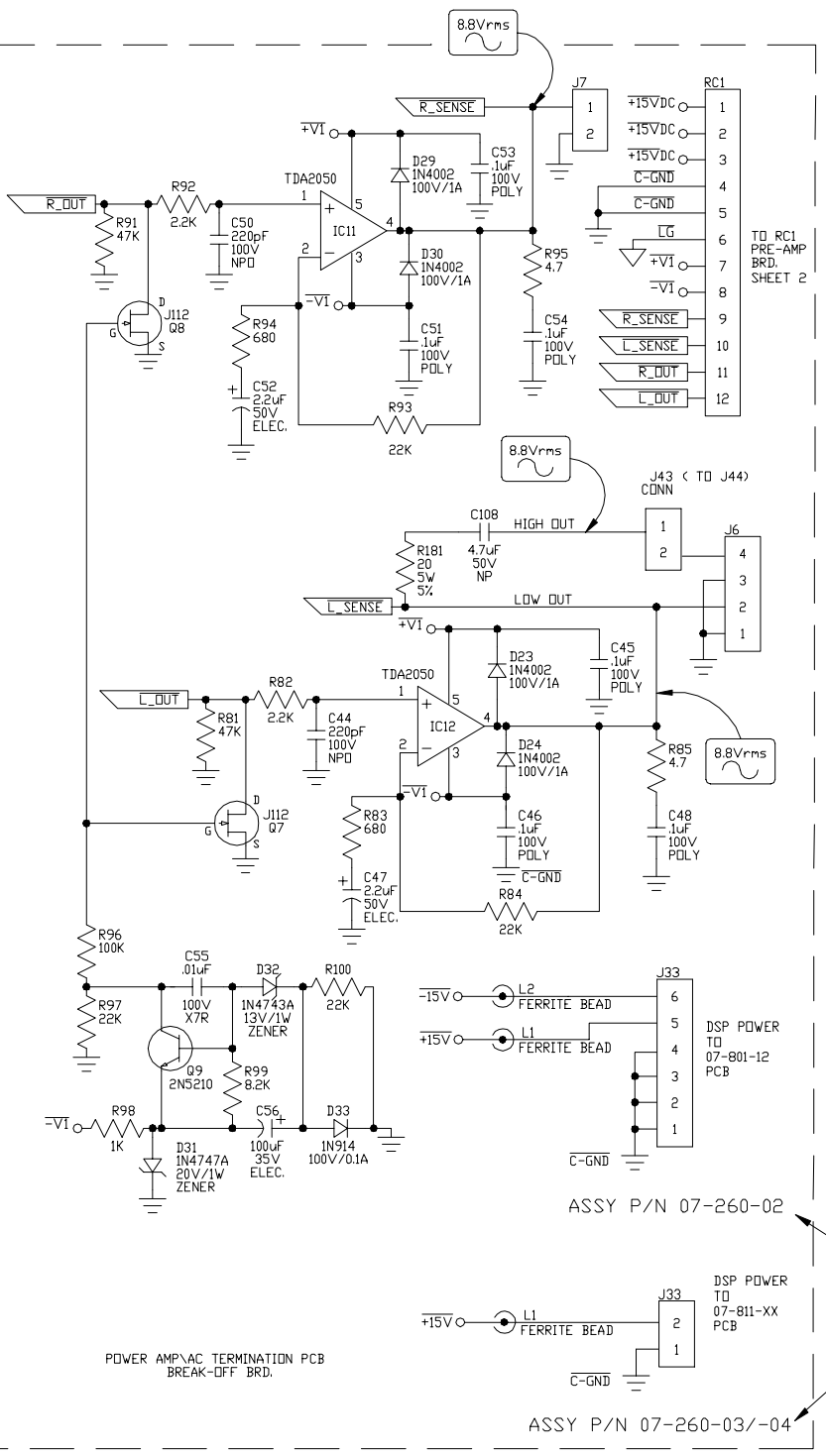
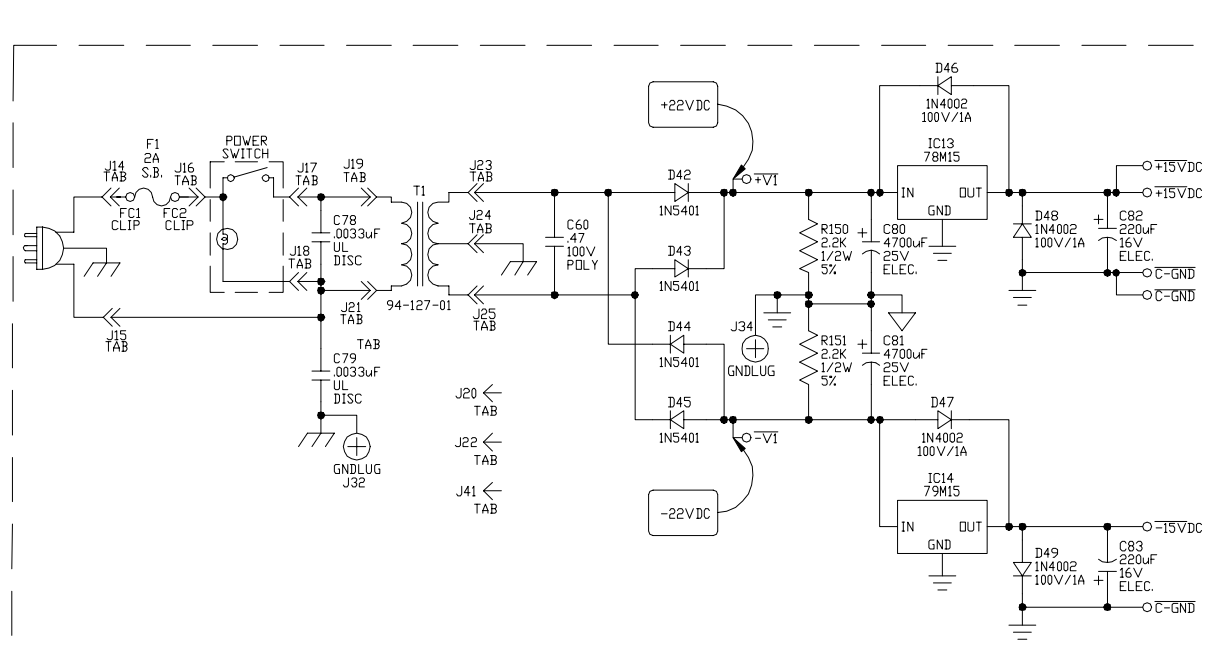
NOTE: USING INSTRUMENT CHANNEL AS INPUT



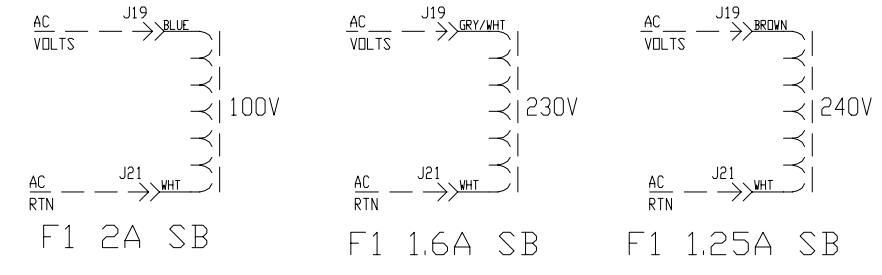
LAST USED DESIGNATOR  
 J44, R181, C108, D55  
 FC2, IC16, Q14, P17,  
 DC2, JW68

ASSY P/N 07-260-02  
 REPLACES DWG # 07S244-02  
 AND  
 ASSY P/N 07-260-03

1	12-30-99	ADDED -04	N00168	RLB		
0	10/5/99	CONTROL ISSUE		REM		
A	6/12/99	PRELIM ISSUE		REM		
REV:	DATE:	DESCRIPTION	ECR/ECN NO:	CHNG'D BY:	APPR'D BY:	DATE:
THE INFORMATION CONTAINED ON THIS DRAWING IS PROPRIETARY TO ST. LOUIS MUSIC, INC.						
SIGNATURES:		DATE:				
DRAWN: REM		6/12/99				
CHK'D:		6/12/99	FIRST USED ON: CA60a/CA60d			
RLS'D:						
DRAWING SIZE: D		DRAWING TITLE: SCHEMO - ACOUSTIC AMP				
DRAWING TYPE: SCHEMO		DRAWING NO.: 07S260-XX				
CLASS CODE:						
SCALE: NONE		SHEET: 5 OF 6				



**EXPORT WIRING**  
94-127-40



USE J20, J22, OR J41 FOR UNUSED PRI. LEADS.

NOTE

ASSY P/N 07-260-02  
REPLACES DWG # 07S244-02  
AND  
ASSY P/N 07-260-03

1	12-30-99	ADDED	07-260-03	N00168	RLB	
0	10/5/99	CONTROL ISSUE			REM	
A	6/12/99	PRELIM ISSUE			REM	
REV:	DATE:	DESCRIPTION	ECR/ECN NO:	CHNG'D BY:	APPR'D BY:	DATE:
THE INFORMATION CONTAINED ON THIS DRAWING IS PROPRIETARY TO ST. LOUIS MUSIC, INC.						
SIGNATURES:		DATE:		11880 Borman Dr. St. Louis, Missouri 63146		
DRAWN: REM		6/12/99		FIRST USED ON: CA60a/CA60d		
CHK'D:		6/12/99		DRAWING TITLE: SCHEMO - ACOUSTIC AMP		
RLS'D:				DRAWING NO.: 07S260-XX		
TOLERANCES:		DRAWING SIZE: D		SCALE: NONE		
		DRAWING TYPE: SCHEMO		SHEET: 6 OF 6		