

SHEET 1 AND 2 REPRESENT -01 AND -07

CAUTION:
THIS SCHEMATIC IS PROVIDED FOR USE BY QUALIFIED PERSONNEL.
TO AVOID RISK OF ELECTRIC SHOCK, REFER SERVICING TO QUALIFIED
SERVICE PERSONNEL. DO NOT PERFORM ANY SERVICING BEYOND
THAT EXPLAINED IN THE OPERATING INSTRUCTIONS.

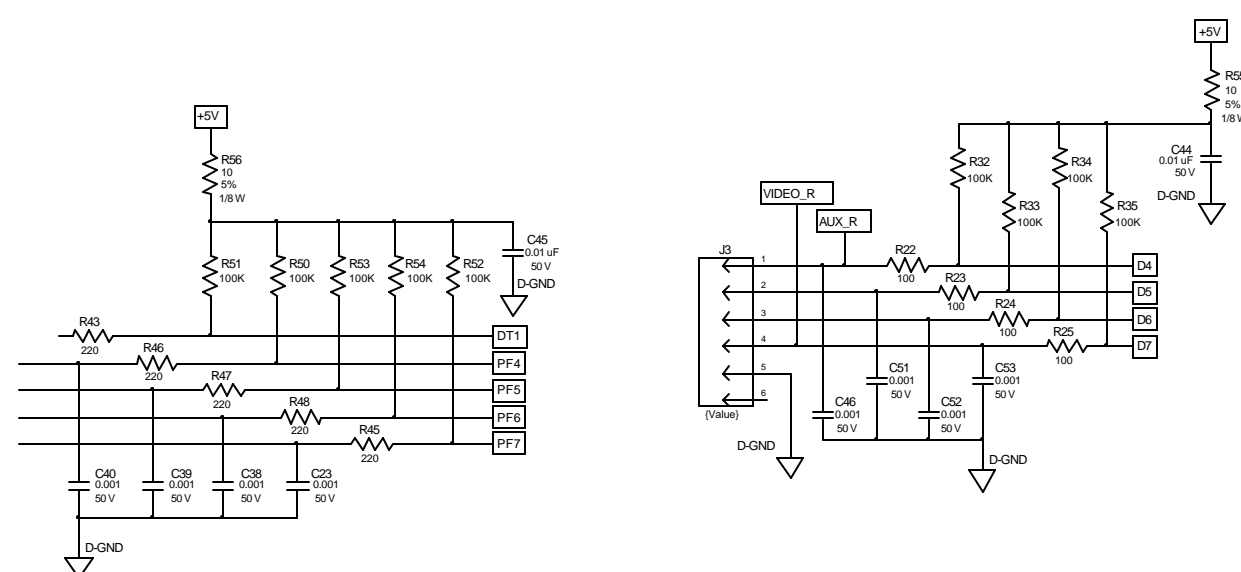
- NOTES:
- 1) CAUTION: SHOCK HAZARD!!
THIS UNIT CONTAINS HAZARDOUS VOLTAGE. DISCONNECT POWER
AND BE SURE POWER SUPPLY IS DISCHARGED BEFORE
TOUCHING INTERNAL PARTS.
 - 2) UNLESS NOTED, RESISTOR VALUES IN OHMS, 1/4W-5% TOL.
CAPACITOR VALUES IN MICROFARADS, 50V-10% TOL.
 - 3) VOLTAGES ARE MEASURED WITH 1 MEGOHM OSCILLOSCOPE
AND 10 MEGOHM DIGITAL VOLTMETER.

Ref Des	Device (Type)	Package	+5VA/D	+5VRS1	+5VDS1	+5V	D-GND
U1	37518 001	TOPP 100	15	18	36	59	87 90
U2	37588 101	ST-48	25	38	1	9	3 12 17 28 41 60 86
U4	37518 103	SOT-23	3				71 80 92
U5	37001 01	32PLCC				1	4 7 26 42
U6	37587 201	SQJ 32.3					16
U8	37518 102	SOT-23				3	1

1	9-29-00	ADDED DASH -10,-12 & -14	D000717	RLB		
0	4-28-00	CONTROL ISSUE		RLB		
A		INITIAL ISSUE				
REV	Date	DESCRIPTION	Ecr(s)/Ecn(s)	Chgd By	Appvd by	Date
THE INFORMATION CONTAINED ON THIS DRAWING IS PROPRIETARY TO ST. LOUIS MUSIC, INC.						
Signatures:			Date:		 11880 Borman Drive, St. Louis, MO 63146	
Drawn: RLB			10-5-99			
Checked:			First Used On:		DSP EFFECTS BD Drawing Number: 07S886-XX	
Released:						
Plot Date: Fri Sep 29, 2000		Drawing Size: C		Drawing Title:		
Plot Time: 1:30:12 PM		Drawing Type: Schematic		Drawing Number:		
Tolerance:		Class Code: NONE		Drawing Number:		
		Sheet 1 of 12				

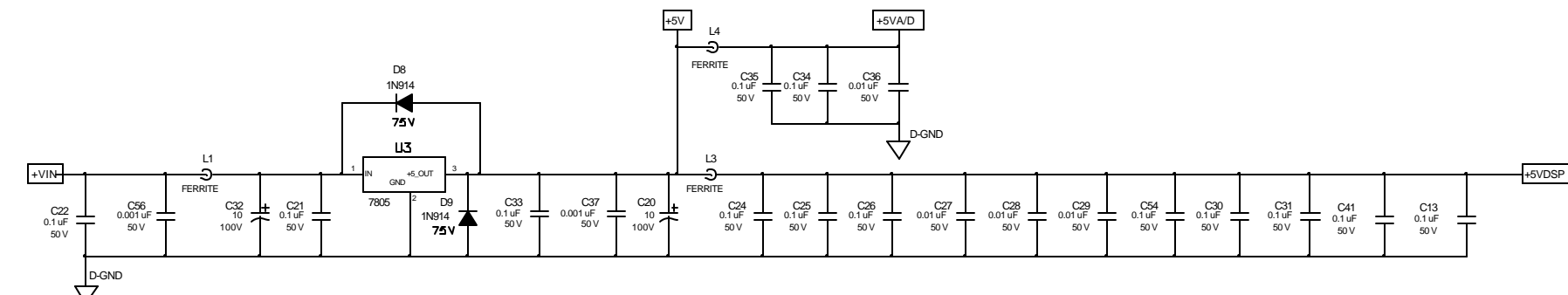
A B C D E F

1



2

3



SHEET 1 AND 2 REPRESENT -01 AND -07

CAUTION:
THIS SCHEMATIC IS PROVIDED FOR USE BY QUALIFIED PERSONNEL. TO AVOID RISK OF ELECTRIC SHOCK, REFER SERVICING TO QUALIFIED SERVICE PERSONNEL. DO NOT PERFORM ANY SERVICING BEYOND THAT EXPLAINED IN THE OPERATING INSTRUCTIONS.

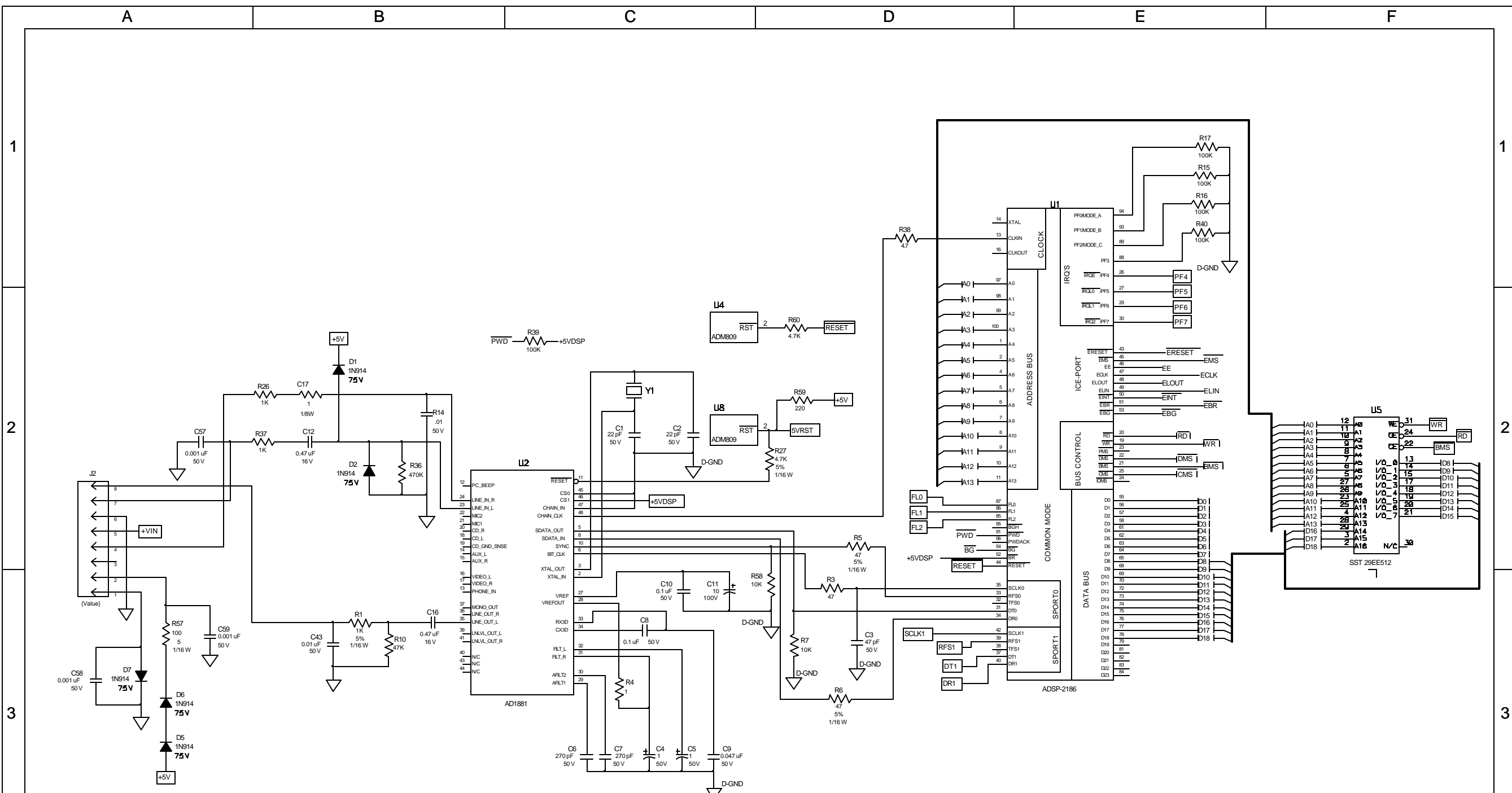
NOTES:
1) CAUTION: SHOCK HAZARD!! THIS UNIT CONTAINS HAZARDOUS VOLTAGE. DISCONNECT POWER AND BE SURE POWER SUPPLY IS DISCHARGED BEFORE TOUCHING INTERNAL PARTS.
2) UNLESS NOTED, RESISTOR VALUES IN OHMS, 1/4W-5% TOL. CAPACITOR VALUES IN MICROFARADS, 50V-10% TOL.
3) VOLTAGES ARE MEASURED WITH 1 MEGOHM OSCILLOSCOPE AND 10 MEGOHM DIGITAL VOLTMETER.

1	9-29-00	ADDED DASH -10,-12 & -14	D000717	RLB		
0	4-28-00	CONTROL ISSUE		RLB		
A		INITIAL ISSUE				
REV	Date	DESCRIPTION	Ecr(s)/Ecn(s)	Chgd By	Appvd by	Date
THE INFORMATION CONTAINED ON THIS DRAWING IS PROPRIETARY TO ST. LOUIS MUSIC, INC.						
Signatures:			Date:		 11880 Borman Drive, St. Louis, MO 63146	
Drawn: RLB			10-5-99			
Checked:			Released:		First Used On:	
Plot Date: Fit Sep 29, 2000		Drawing Size: C		Drawing Title: DSP EFFECTS BD		
Plot Time: 1:20:28		Drawing Type: Schematic		Drawing Number: 07S886-XX		
Tolerance:		Class Code: NONE		Sheet 2 of 12		

A B C D E F

4

4



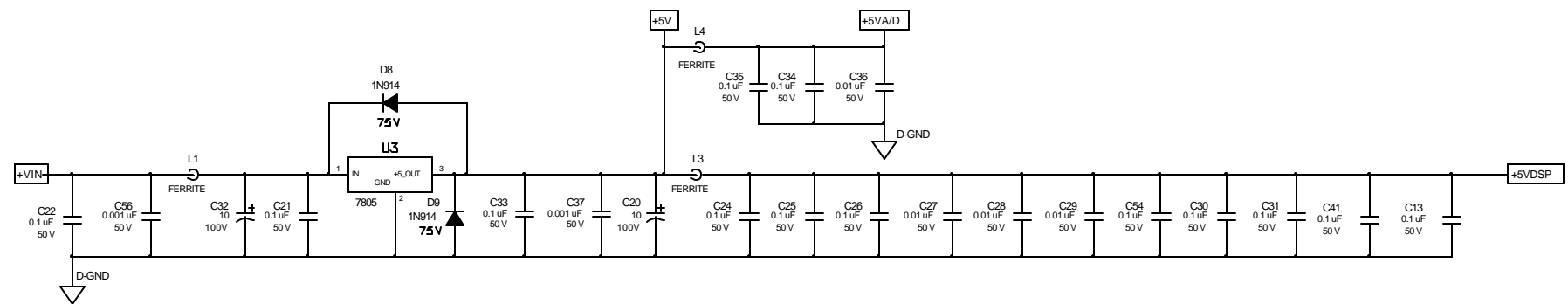
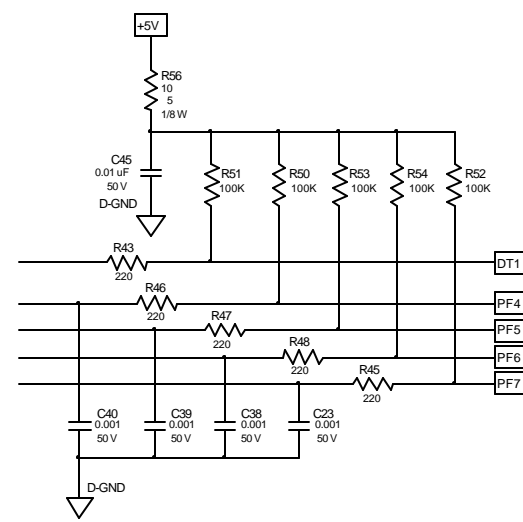
SHEET 3 AND 4 REPRESENT -02, -03, -04 AND -08

CAUTION:
THIS SCHEMATIC IS PROVIDED FOR USE BY QUALIFIED PERSONNEL. TO AVOID RISK OF ELECTRIC SHOCK, REFER SERVICING TO QUALIFIED SERVICE PERSONNEL. DO NOT PERFORM ANY SERVICING BEYOND THAT EXPLAINED IN THE OPERATING INSTRUCTIONS.

- NOTES:**
- 1) CAUTION: SHOCK HAZARD!! THIS UNIT CONTAINS HAZARDOUS VOLTAGE. DISCONNECT POWER AND BE SURE POWER SUPPLY IS DISCHARGED BEFORE TOUCHING INTERNAL PARTS.
 - 2) UNLESS NOTED, RESISTOR VALUES IN OHMS, 1/4W-5% TOL. CAPACITOR VALUES IN MICROFARADS, 50V-10% TOL.
 - 3) VOLTAGES ARE MEASURED WITH 1 MEGOHM OSCILLOSCOPE AND 10 MEGOHM DIGITAL VOLTMETER.

Ref Des	Device (Type)	Package	+5V/A/D	SVRST	+5V/DSP	+5V	D-GND
U1	37518 601_	TOPP 100	15	18	38	50	67 90 71 80 92
U2	37588 101_	ST-48	25	38	19		47 28 42
U4	37518 103_	SOT-23	3				1
U5	37001 01_32FLOC	32FLOC			1.32		16
U8	37518 103_	SOT-23				3	1

1	9-29-00	ADDED DASH-10, -12 & -14	D000717	RLB		
0	4-28-00	CONTROL ISSUE		RLB		
A		INITIAL ISSUE				
REV	Date	DESCRIPTION	Ecr(s)/Ecn(s)	Chgd By	Appvd by	Date
THE INFORMATION CONTAINED ON THIS DRAWING IS PROPRIETARY TO ST. LOUIS MUSIC, INC.						
Signatures:			Date:		 11880 Borman Drive, St. Louis, MO 63146	
Drawn: RLB			10-5-99			
Checked:			First Used On:			
Released:						
Plot Date: Fri Sep 29, 2000		Drawing Size: C		Drawing Title: DSP EFFECTS BD		
Plot Time: 13:02:21		Drawing Type: Schematic		Drawing Number: 07S886-XX		
Tolerance:		Class Code: NONE		Sheet 3 of 12		



CAUTION:
THIS SCHEMATIC IS PROVIDED FOR USE BY QUALIFIED PERSONNEL.
TO AVOID RISK OF ELECTRIC SHOCK, REFER SERVICING TO QUALIFIED
SERVICE PERSONNEL. DO NOT PERFORM ANY SERVICING BEYOND
THAT EXPLAINED IN THE OPERATING INSTRUCTIONS.

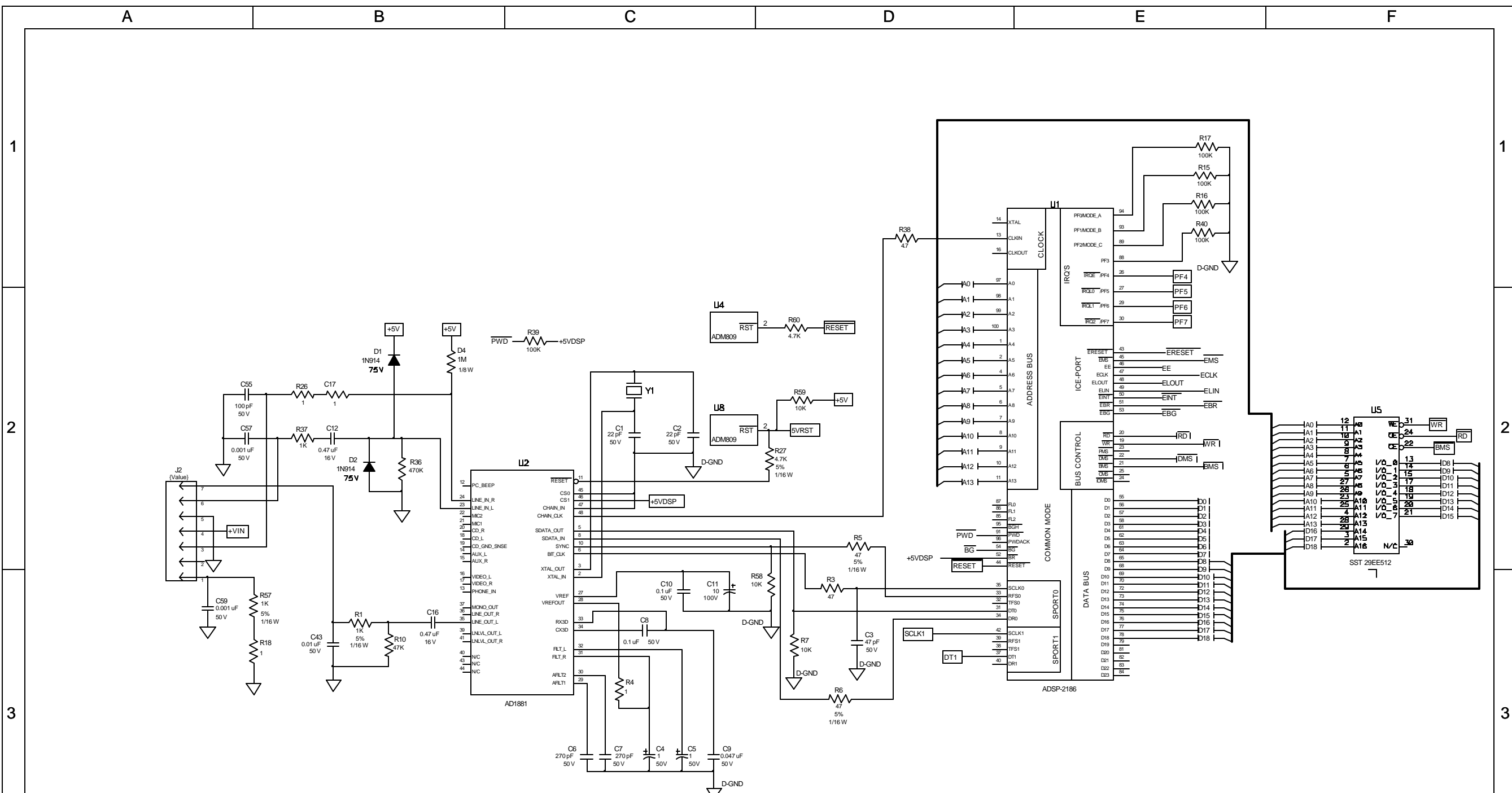
- NOTES:
- 1) CAUTION: SHOCK HAZARD!!
THIS UNIT CONTAINS HAZARDOUS VOLTAGE. DISCONNECT POWER
AND BE SURE POWER SUPPLY IS DISCHARGED BEFORE
TOUCHING INTERNAL PARTS.
 - 2) UNLESS NOTED, RESISTOR VALUES IN OHMS, 1/4W-5% TOL.
CAPACITOR VALUES IN MICROFARADS, 50V-10% TOL.
 - 3) VOLTAGES ARE MEASURED WITH 1 MEGOHM OSCILLOSCOPE
AND 10 MEGOHM DIGITAL VOLTMETER.

SHEET 3 AND 4 REPRESENT -02, -03, -04 AND -08

REV	Date	DESCRIPTION	Ecr(s)/Ecrn(s)	Chgd By	Appvd by	Date
1	9-29-00	ADDED DASH-10, -12 & -14		RLB		
0	4-28-00	CONTROL ISSUE		RLB		
A		INITIAL ISSUE				

THE INFORMATION CONTAINED ON THIS DRAWING IS PROPRIETARY TO
ST. LOUIS MUSIC, INC.

Signatures:		Date:	 11880 Borman Drive, St. Louis, MO 63146
Drawn:	RLB	10-5-99	
Checked:			First Used On:
Released:			
Plot Date: Fri Sep 29, 2000	Drawing Size: C	Drawing Title: DSP EFFECTS BD	
Plot Time: 13:02:28	Drawing Type: Schematic	Drawing Number: 07S886-XX	
Tolerance:	Class Code: NONE	Sheet 4 of 12	



SHEET 5 AND 6 REPRESENT -05, -06 AND -09

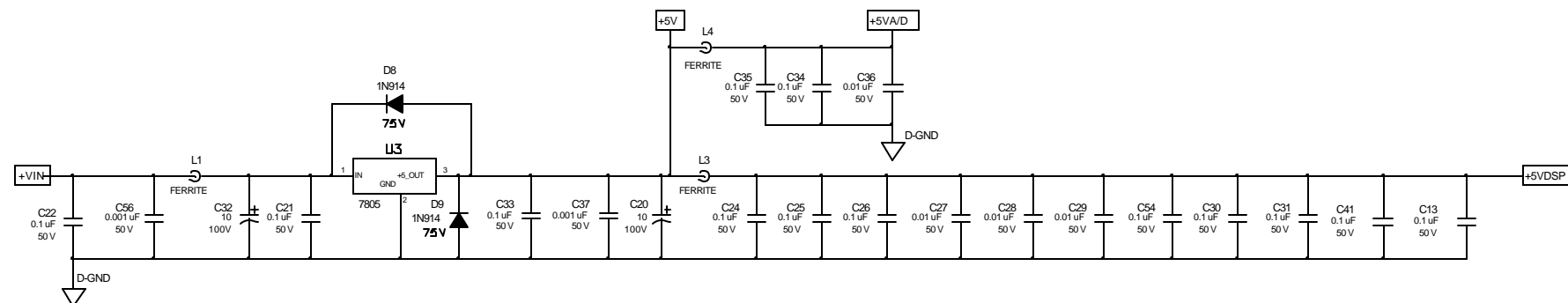
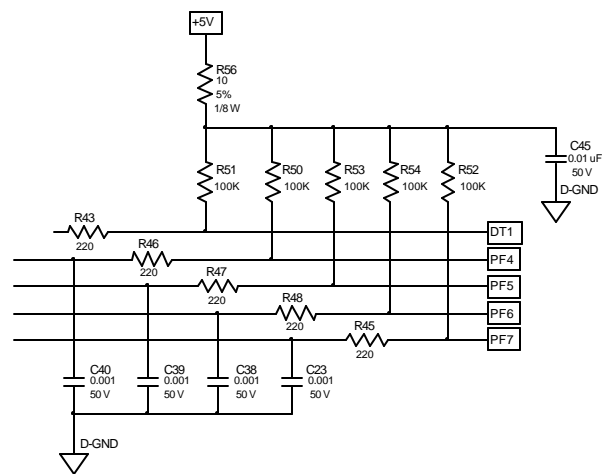
CAUTION:
THIS SCHEMATIC IS PROVIDED FOR USE BY QUALIFIED PERSONNEL.
TO AVOID RISK OF ELECTRIC SHOCK, REFER SERVICING TO QUALIFIED
SERVICE PERSONNEL. DO NOT PERFORM ANY SERVICING BEYOND
THAT EXPLAINED IN THE OPERATING INSTRUCTIONS.

- NOTES:
- 1) CAUTION: SHOCK HAZARD!!
THIS UNIT CONTAINS HAZARDOUS VOLTAGE. DISCONNECT POWER
AND BE SURE POWER SUPPLY IS DISCHARGED BEFORE
TOUCHING INTERNAL PARTS.
 - 2) UNLESS NOTED, RESISTOR VALUES IN OHMS, 1/4W-5% TOL.
CAPACITOR VALUES IN MICROFARADS, 50V-10% TOL.
 - 3) VOLTAGES ARE MEASURED WITH 1 MEGOHM OSCILLOSCOPE
AND 10 MEGOHM DIGITAL VOLTMETER.

Ref Des	Device (Type)	Package	+5V/A/D	SVRST	+5VDSPP	+5V	D-GND
U1	37518 001	TOPP 100	15	18	38	50	67 90
U2	37588 101	ST-48	25	38	19		3 12 17 28 41 60 86
U4	37518 103	SOT-23	3				47 28 42
U5	37001 01_32	PLCC			1		16
U8	37518 103	SOT-23			3		1

1	9-29-00	ADDED DASH-10, -12 & -14	D000717	RLB		
0	4-28-00	CONTROL ISSUE		RLB		
A		INITIAL ISSUE				
REV	Date	DESCRIPTION	Ecr(s)/Ecn(s)	Chgd By	Appvd by	Date
THE INFORMATION CONTAINED ON THIS DRAWING IS PROPRIETARY TO ST. LOUIS MUSIC, INC.						
Signatures:			Date:		 11880 Borman Drive, St. Louis, MO 63146	
Drawn: RLB			10-5-99			
Checked:			Released:		First Used On:	
Plot Date: Fri Sep 29, 2000			Drawing Size: C		Drawing Title: DSP EFFECTS BD	
Plot Time: 13:02:58			Drawing Type: Schematic		Drawing Number: 07S886-XX	
Tolerance:			Class Code: NONE		Sheet 5 of 12	

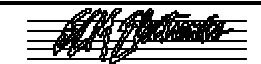
07S886-01B

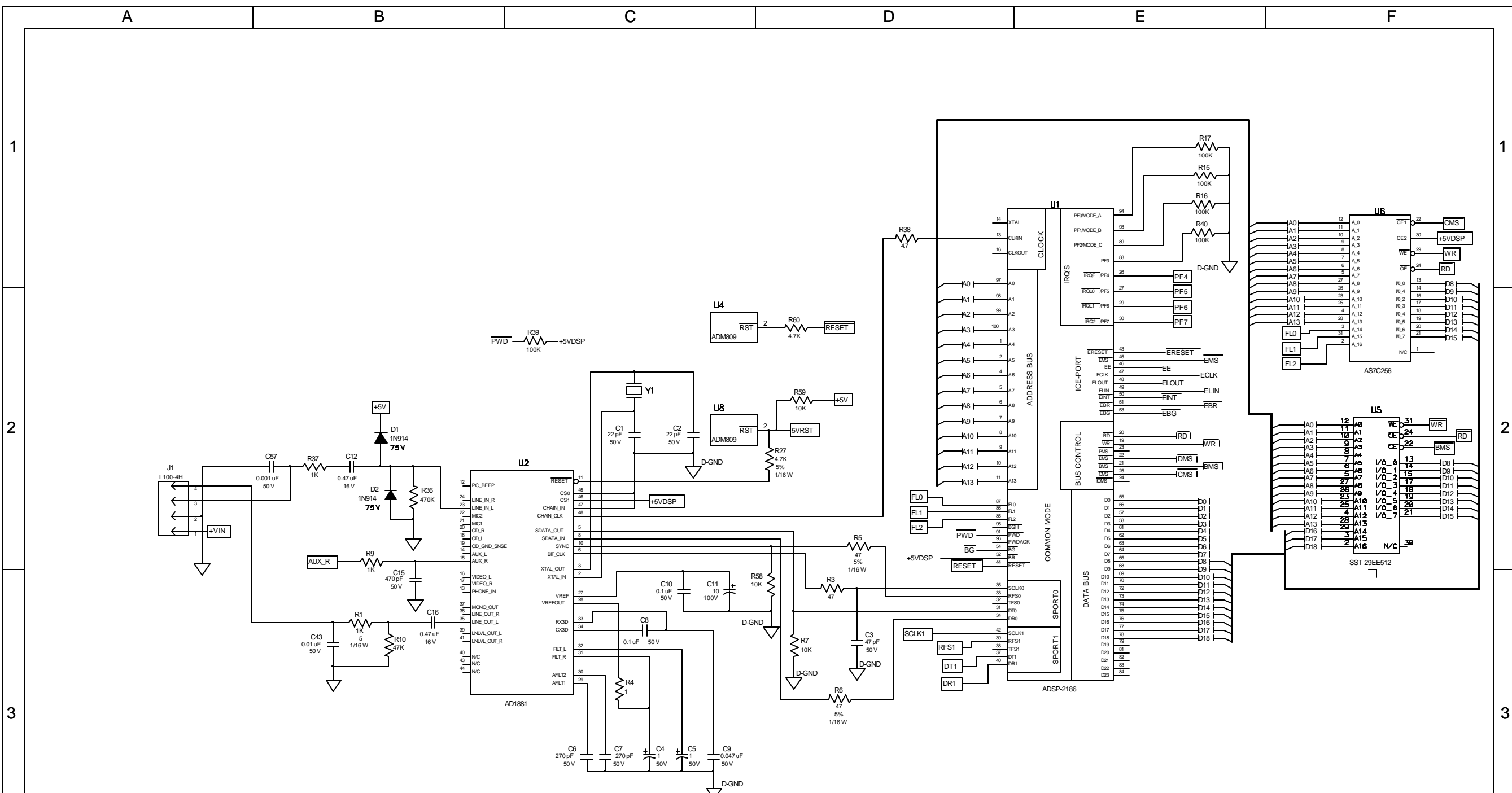


SHEET 5 AND 6 REPRESENT -05, -06 AND -09

CAUTION:
THIS SCHEMATIC IS PROVIDED FOR USE BY QUALIFIED PERSONNEL. TO AVOID RISK OF ELECTRIC SHOCK, REFER SERVICING TO QUALIFIED SERVICE PERSONNEL. DO NOT PERFORM ANY SERVICING BEYOND THAT EXPLAINED IN THE OPERATING INSTRUCTIONS.

- NOTES:**
- 1) CAUTION: SHOCK HAZARD!! THIS UNIT CONTAINS HAZARDOUS VOLTAGE. DISCONNECT POWER AND BE SURE POWER SUPPLY IS DISCHARGED BEFORE TOUCHING INTERNAL PARTS.
 - 2) UNLESS NOTED, RESISTOR VALUES IN OHMS, 1/4W-5% TOL. CAPACITOR VALUES IN MICROFARADS, 50V-10% TOL.
 - 3) VOLTAGES ARE MEASURED WITH 1 MEGOHM OSCILLOSCOPE AND 10 MEGOHM DIGITAL VOLTMETER.

1	9-29-00	ADDED DASH-10, -12 & -14	D000717	RLB		
0	4-28-00	CONTROL ISSUE		RLB		
A		INITIAL ISSUE				
REV	Date	DESCRIPTION	Ecr(s)/Ecn(s)	Chgd By	Appvd by	Date
THE INFORMATION CONTAINED ON THIS DRAWING IS PROPRIETARY TO ST. LOUIS MUSIC, INC.						
Signatures:			Date:		 11880 Borman Drive, St. Louis, MO 63146	
Drawn: RLB			10-5-99			
Checked:					First Used On:	
Released:						
Plot Date: Fri Sep 29, 2000		Drawing Size: C		Drawing Title: DSP EFFECTS BD		
Plot Time: 13:02:57		Drawing Type: Schematic		Drawing Number: 07S886-XX		
Tolerance:		Class Code: NONE		Sheet 6 of 12		



SHEET 7 AND 8 REPRESENT -10

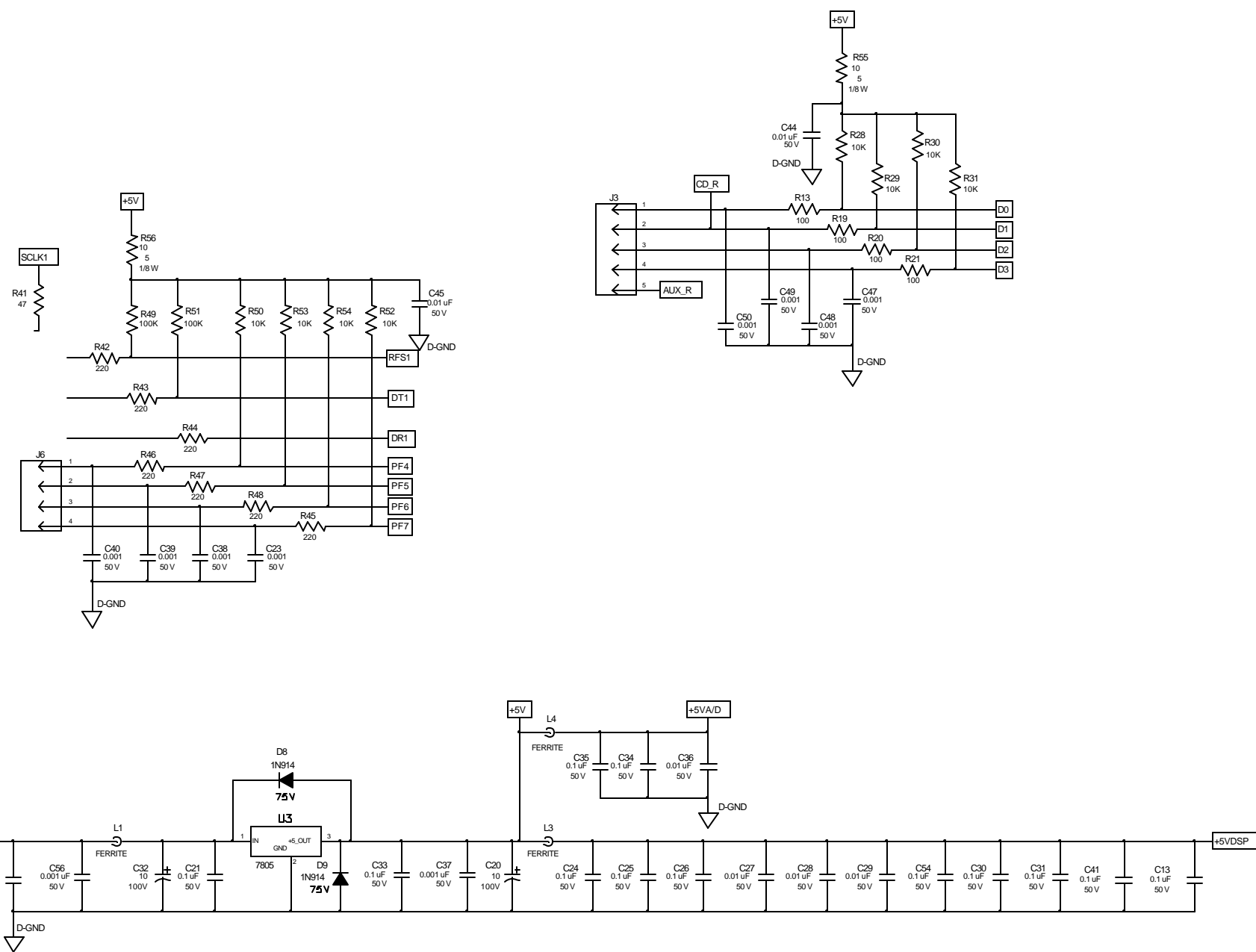
CAUTION:
THIS SCHEMATIC IS PROVIDED FOR USE BY QUALIFIED PERSONNEL.
TO AVOID RISK OF ELECTRIC SHOCK, REFER SERVICING TO QUALIFIED
SERVICE PERSONNEL. DO NOT PERFORM ANY SERVICING BEYOND
THAT EXPLAINED IN THE OPERATING INSTRUCTIONS.

- NOTES:
- 1) CAUTION: SHOCK HAZARD!!
THIS UNIT CONTAINS HAZARDOUS VOLTAGE. DISCONNECT POWER
AND BE SURE POWER SUPPLY IS DISCHARGED BEFORE
TOUCHING INTERNAL PARTS.
 - 2) UNLESS NOTED, RESISTOR VALUES IN OHMS, 1/4W-5% TOL.
CAPACITOR VALUES IN MICROFARADS, 50V-10% TOL.
 - 3) VOLTAGES ARE MEASURED WITH 1 MEGOHM OSCILLOSCOPE
AND 10 MEGOHM DIGITAL VOLTMETER.

Part	Device (Type)	Package	+5VA/D	SVRST	+5VDSPP	+5V	D-GND
U1	37518 001	TOPP 100	15	18	36	59	87 90
U2	37588 101	ST-48	25	38	19		4 7 26 42
U4	37518 103	SOT-23		3			1
U5	37001 01	32PLCC			1	32	16
U6	37587 201	SQJ 32.3				32	16
U8	37518 103	SOT-23				3	1

1	9-29-00	ADDED-10, -12 & -14	D000717	RLB		
REV	Date	DESCRIPTION	Ecr(s)/Ecn(s)	Chgd By	Appvd by	Date
THE INFORMATION CONTAINED ON THIS DRAWING IS PROPRIETARY TO ST. LOUIS MUSIC, INC.						
Signatures:			Date:		 11880 Borman Drive, St. Louis, MO 63146	
Drawn: RLB			10-5-99			
Checked:			First Used On:			
Released:						
Plot Date: Fri Sep 29, 2000		Drawing Size: C		Drawing Title: DSP EFFECTS BD		
Plot Time: 1:30:31		Drawing Type: Schematic		Drawing Number: 07S886-XX		
Tolerance:		Class Code: NONE		Sheet 7 of 12		

068886-01B

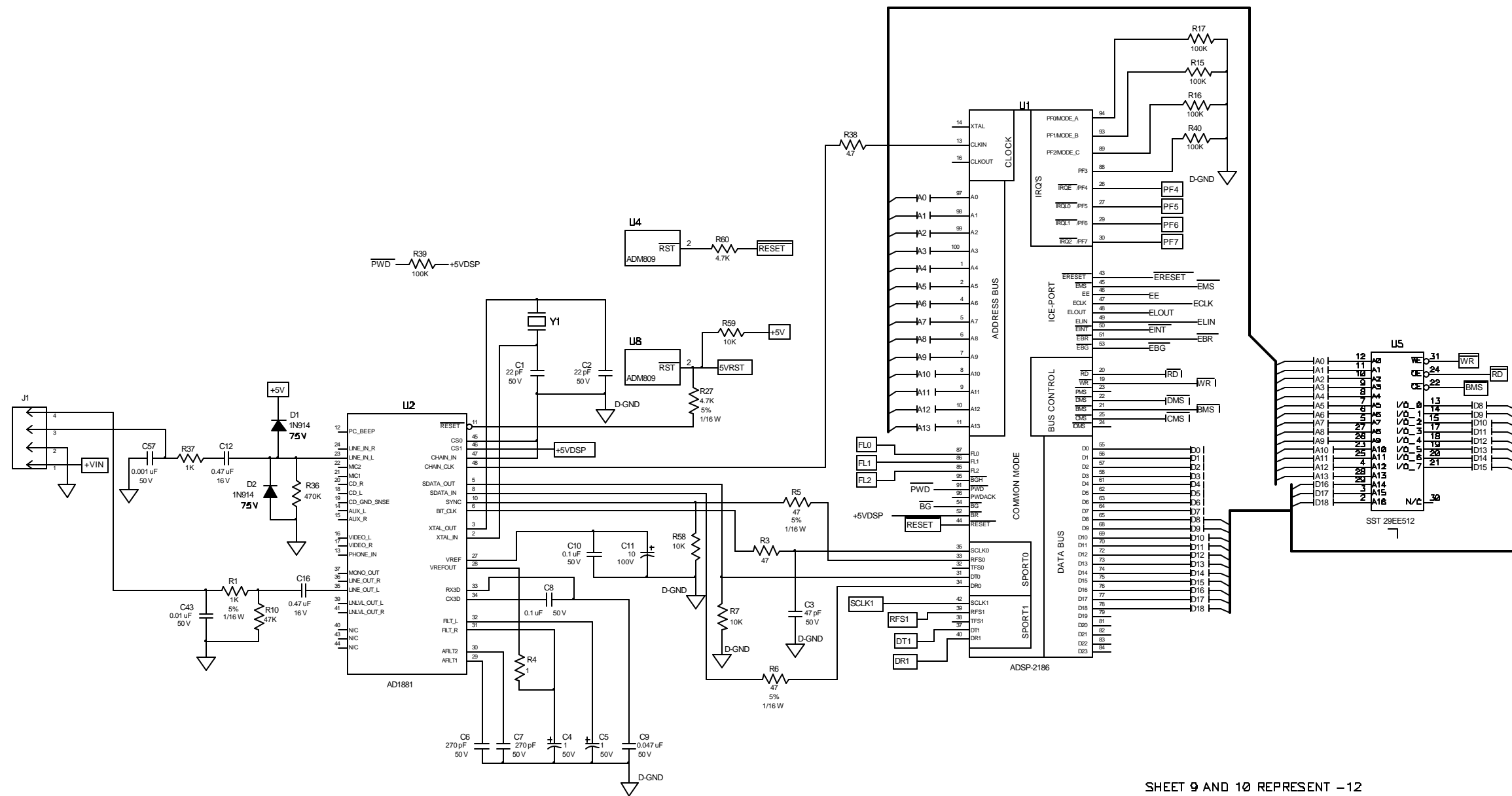


SHEET 7 AND 8 REPRESENT -10

CAUTION:
 THIS SCHEMATIC IS PROVIDED FOR USE BY QUALIFIED PERSONNEL.
 TO AVOID RISK OF ELECTRIC SHOCK, REFER SERVICING TO QUALIFIED
 SERVICE PERSONNEL. DO NOT PERFORM ANY SERVICING BEYOND
 THAT EXPLAINED IN THE OPERATING INSTRUCTIONS.

- NOTES:**
- 1) CAUTION: SHOCK HAZARD!!
 THIS UNIT CONTAINS HAZARDOUS VOLTAGE. DISCONNECT POWER
 AND BE SURE POWER SUPPLY IS DISCHARGED BEFORE
 TOUCHING INTERNAL PARTS.
 - 2) UNLESS NOTED, RESISTOR VALUES IN OHMS, 1/4W-5% TOL.
 CAPACITOR VALUES IN MICROFARADS, 50V-10% TOL.
 - 3) VOLTAGES ARE MEASURED WITH 1 MEGOHM OSCILLOSCOPE
 AND 10 MEGOHM DIGITAL VOLTMETER.

REV	Date	DESCRIPTION	Ecr(s)/Ecn(s)	Chgd By	Appvd by	Date
1	9-29-00	ADDED -10, -12 & -14	D000717	RLB		
THE INFORMATION CONTAINED ON THIS DRAWING IS PROPRIETARY TO ST. LOUIS MUSIC, INC.						
Signatures:			Date:		 11880 Borman Drive, St. Louis, MO 63146	
Drawn: RLB			10-5-99			
Checked:			Released:		First Used On:	
Plot Date: Fri Sep 29, 2000			Drawing Size: C		Drawing Title: DSP EFFECTS BD	
Plot Time: 1:30:33			Drawing Type: Schematic		Drawing Number: 07S886-XX	
Tolerance:			Class Code: NONE		Sheet 8 of 12	



SHEET 9 AND 10 REPRESENT -12

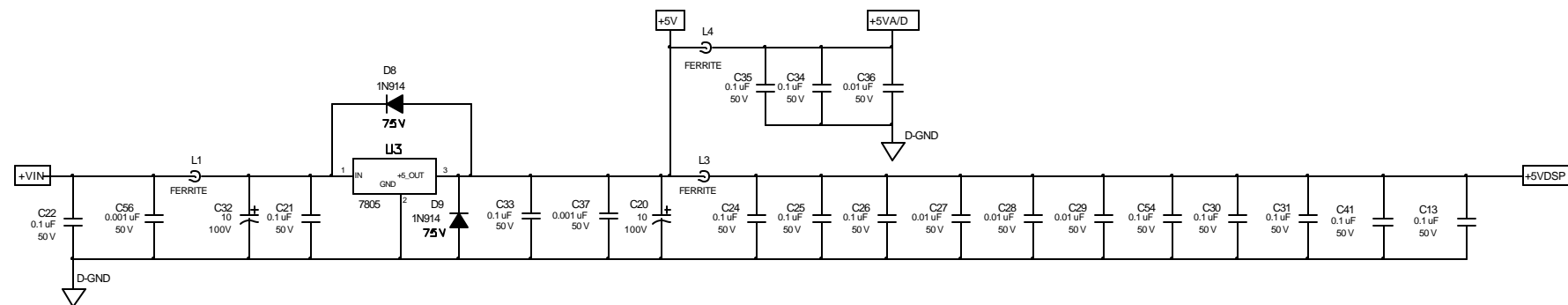
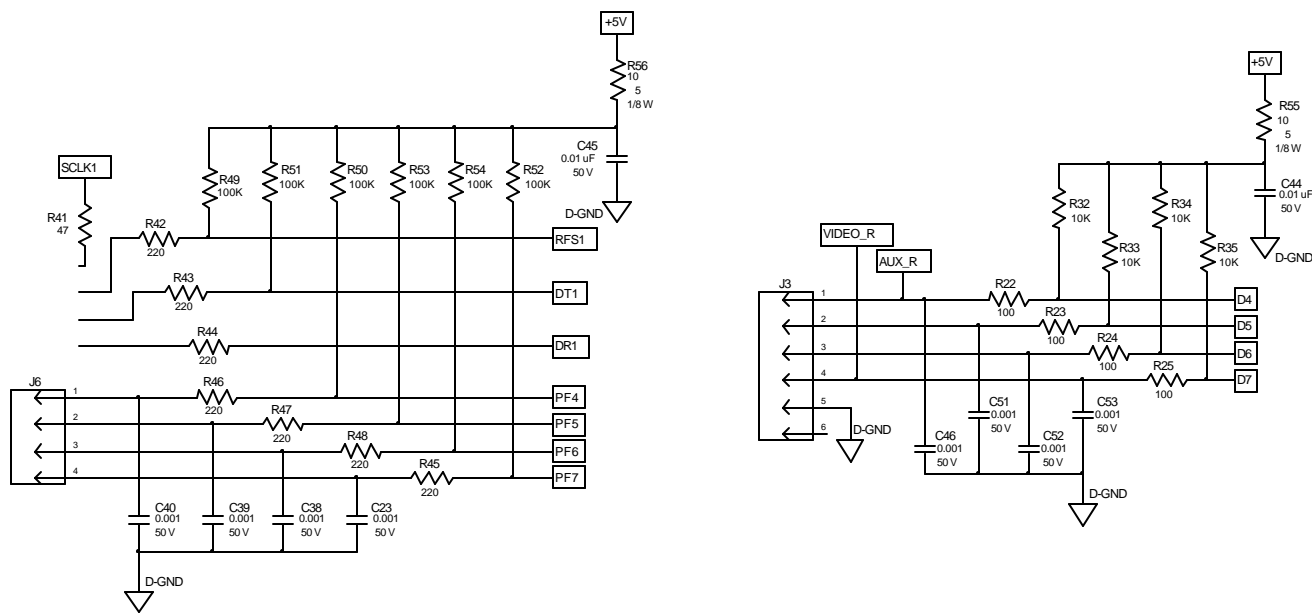
CAUTION:
THIS SCHEMATIC IS PROVIDED FOR USE BY QUALIFIED PERSONNEL.
TO AVOID RISK OF ELECTRIC SHOCK, REFER SERVICING TO QUALIFIED
SERVICE PERSONNEL. DO NOT PERFORM ANY SERVICING BEYOND
THAT EXPLAINED IN THE OPERATING INSTRUCTIONS.

- NOTES:**
- 1) CAUTION: SHOCK HAZARD!!
THIS UNIT CONTAINS HAZARDOUS VOLTAGE. DISCONNECT POWER
AND BE SURE POWER SUPPLY IS DISCHARGED BEFORE
TOUCHING INTERNAL PARTS.
 - 2) UNLESS NOTED, RESISTOR VALUES IN OHMS, 1/4W-5% TOL.
CAPACITOR VALUES IN MICROFARADS, 50V-10% TOL.
 - 3) VOLTAGES ARE MEASURED WITH 1 MEGOHM OSCILLOSCOPE
AND 10 MEGOHM DIGITAL VOLTMETER.

Power Table							
Ref Des	Device (Type)	Package	+5VA/D	SVRST	+5VDSP	D-GND	
U1	37518 001	TOPP 100	15	18	38	50 67 90	3 1 2 17 28 41 60 86 71 80 92
U2	37588 101	ST-48	25	38	19		4 7 26 42
U4	37518 103	SOT-23		3			1
U5	37001 01_32	PLCC 32			1	32	16
U8	37518 103	SOT-23			3		1

1	9-29-00	ADDED DASH-10, -12 & -14	D000717	RLB		
REV	Date	DESCRIPTION	Ecr(s)/Ecn(s)	Chgd By	Appvd by	Date
THE INFORMATION CONTAINED ON THIS DRAWING IS PROPRIETARY TO ST. LOUIS MUSIC, INC.						
Signatures:			Date:		 11880 Borman Drive, St. Louis, MO 63146	
Drawn: RLB			10-5-99			
Checked:			First Used On:			
Released:						
Plot Date: Fri Sep 29, 2000		Drawing Size: C		Drawing Title: DSP EFFECTS BD		
Plot Time: 13:04:21		Drawing Type: Schematic		Drawing Number: 07S886-XX		
Tolerance:		Class Code: NONE		Sheet 9 of 12		


07S886-01B

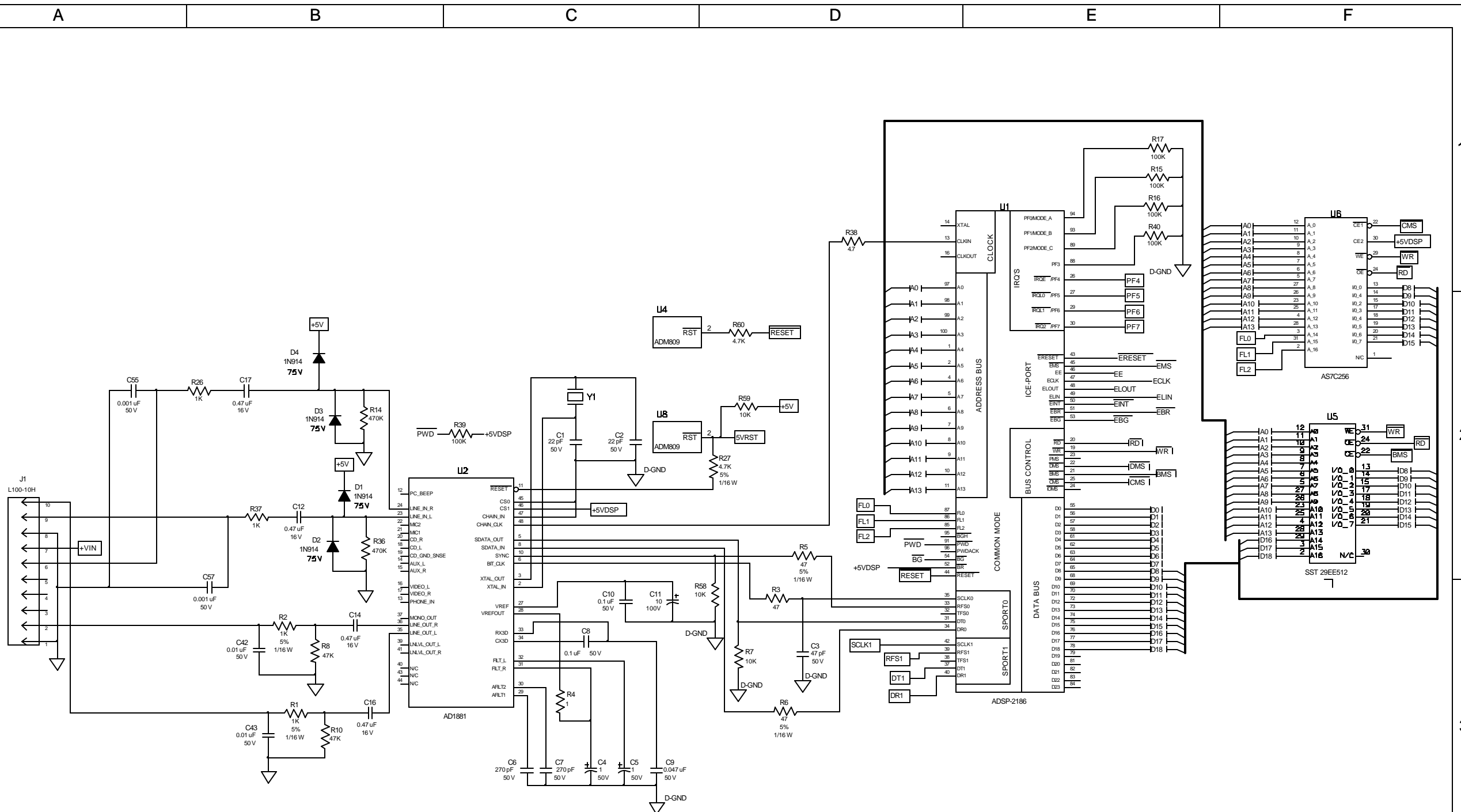


SHEET 9 AND 10 REPRESENT -12

CAUTION:
THIS SCHEMATIC IS PROVIDED FOR USE BY QUALIFIED PERSONNEL.
TO AVOID RISK OF ELECTRIC SHOCK, REFER SERVICING TO QUALIFIED
SERVICE PERSONNEL. DO NOT PERFORM ANY SERVICING BEYOND
THAT EXPLAINED IN THE OPERATING INSTRUCTIONS.

- NOTES:**
- 1) CAUTION: SHOCK HAZARD!!
THIS UNIT CONTAINS HAZARDOUS VOLTAGE. DISCONNECT POWER
AND BE SURE POWER SUPPLY IS DISCHARGED BEFORE
TOUCHING INTERNAL PARTS.
 - 2) UNLESS NOTED, RESISTOR VALUES IN OHMS, 1/4W-5% TOL.
CAPACITOR VALUES IN MICROFARADS, 50V-10% TOL.
 - 3) VOLTAGES ARE MEASURED WITH 1 MEGOHM OSCILLOSCOPE
AND 10 MEGOHM DIGITAL VOLTMETER.

1	9-29-00	ADDED DASH-10,-12 & -14	D000717	RLB		
REV	Date	DESCRIPTION	Ecr(s)/Ecn(s)	Chgd By	Appvd by	Date
THE INFORMATION CONTAINED ON THIS DRAWING IS PROPRIETARY TO ST. LOUIS MUSIC, INC.						
Signatures:			Date:		 11880 Borman Drive, St. Louis, MO 63146	
Drawn: RLB			10-5-99			
Checked:					First Used On:	
Released:						
Plot Date: Fri Sep 29, 2000		Drawing Size: C		Drawing Title: DSP EFFECTS BD		
Plot Time: 1:34:23		Drawing Type: Schematic		Drawing Number: 07S886-XX		
Tolerance:		Class Code: NONE		Sheet 10 of 12		



SHEET 11 AND 12 REPRESENT -14

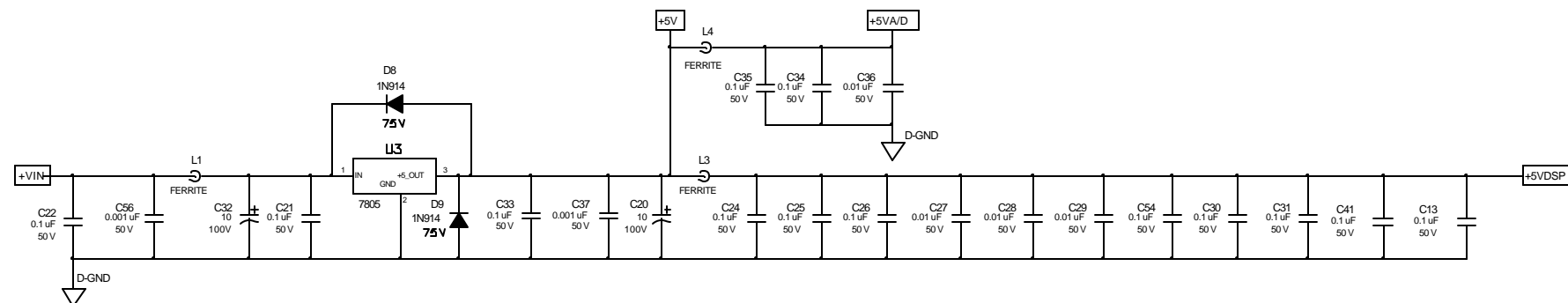
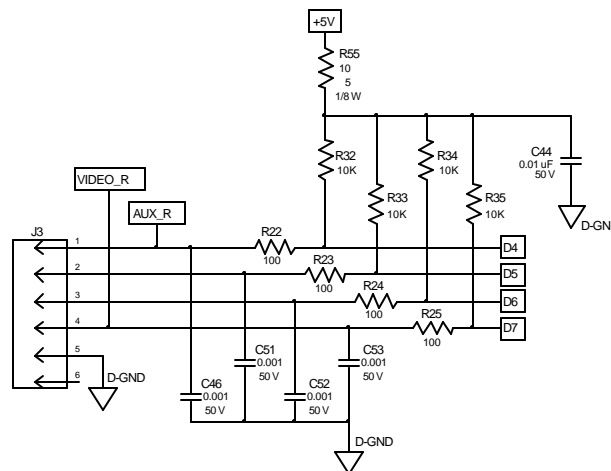
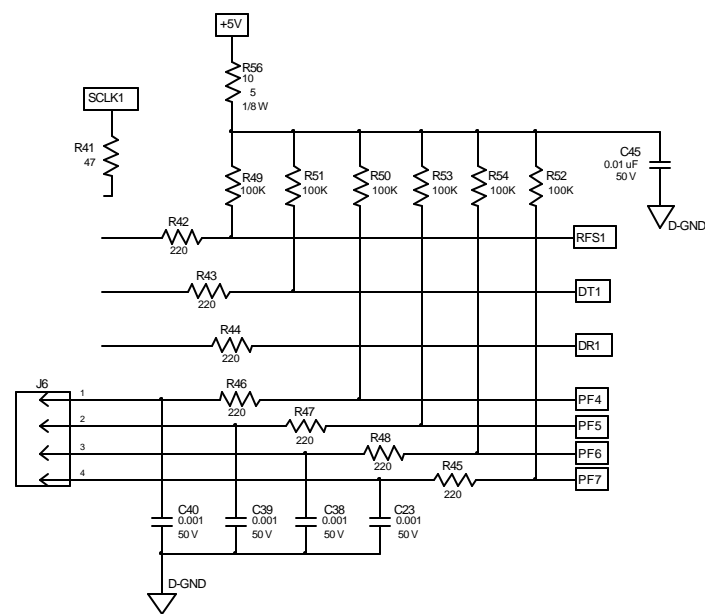
CAUTION:
THIS SCHEMATIC IS PROVIDED FOR USE BY QUALIFIED PERSONNEL.
TO AVOID RISK OF ELECTRIC SHOCK, REFER SERVICING TO QUALIFIED
SERVICE PERSONNEL. DO NOT PERFORM ANY SERVICING BEYOND
THAT EXPLAINED IN THE OPERATING INSTRUCTIONS.

- NOTES:**
- 1) CAUTION: SHOCK HAZARD!!
THIS UNIT CONTAINS HAZARDOUS VOLTAGE. DISCONNECT POWER
AND BE SURE POWER SUPPLY IS DISCHARGED BEFORE
TOUCHING INTERNAL PARTS.
 - 2) UNLESS NOTED, RESISTOR VALUES IN OHMS, 1/4W-5% TOL.
CAPACITOR VALUES IN MICROFARADS, 50V-10% TOL.
 - 3) VOLTAGES ARE MEASURED WITH 1 MEGOHM OSCILLOSCOPE
AND 10 MEGOHM DIGITAL VOLTMETER.

Ref Des	Device (Type)	Package	+5VA/D	+5VRS1	+5VDS1	+5V	D-GND
U1	37518 001	TOPP 100	15	18	36	59	67 90
U2	37588 101	ST-48	25	38			1 9
U4	37518 103	SOT-23					3
U5	37001 01	32-PLCC					1 32
U6	37587 201	SOJ 32-3					32
U8	37518 103	SOT-23					3 1

REV	Date	DESCRIPTION	Ecr(s)/Ecn(s)	Chgd By	Appvd by	Date
A		INITIAL ISSUE				
THE INFORMATION CONTAINED ON THIS DRAWING IS PROPRIETARY TO ST. LOUIS MUSIC, INC.						
Signatures:		Date:		 11880 Borman Drive, St. Louis, MO 63146		
Drawn: RLB		10-5-99				
Checked:		Released:		First Used On:		
Tolerance:		Drawing Size: C		Drawing Title: DSP EFFECTS BD		
		Drawing Type: Schematic		Drawing Number: 07S886-XX		
		Class Code: NONE				
		Sheet 11 of 12				

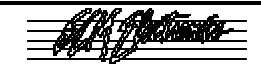
07S886-01B



SHEET 11 AND 12 REPRESENT -14

CAUTION:
THIS SCHEMATIC IS PROVIDED FOR USE BY QUALIFIED PERSONNEL. TO AVOID RISK OF ELECTRIC SHOCK, REFER SERVICING TO QUALIFIED SERVICE PERSONNEL. DO NOT PERFORM ANY SERVICING BEYOND THAT EXPLAINED IN THE OPERATING INSTRUCTIONS.

- NOTES:**
- 1) CAUTION: SHOCK HAZARD!! THIS UNIT CONTAINS HAZARDOUS VOLTAGE. DISCONNECT POWER AND BE SURE POWER SUPPLY IS DISCHARGED BEFORE TOUCHING INTERNAL PARTS.
 - 2) UNLESS NOTED, RESISTOR VALUES IN OHMS, 1/4W-5% TOL. CAPACITOR VALUES IN MICROFARADS, 50V-10% TOL.
 - 3) VOLTAGES ARE MEASURED WITH 1 MEGOHM OSCILLOSCOPE AND 10 MEGOHM DIGITAL VOLTMETER.

A						
REV	Date	DESCRIPTION	Ecr(s)/Ecn(s)	Chgd By	Appvd by	Date
THE INFORMATION CONTAINED ON THIS DRAWING IS PROPRIETARY TO ST. LOUIS MUSIC, INC.						
Signatures:			Date:		 11880 Borman Drive, St. Louis, MO 63146	
Drawn: RLB			10-5-99		First Used On:	
Checked:					Released:	
Tolerance:		Drawing Size: C		Drawing Title: DSP EFFECTS BD		
		Drawing Type: Schematic		Drawing Number: 07S886-XX		
		Class Code: NONE		Sheet 12 of 12		