

EXPORT WIRING

* NOT USED

ASSY P/N 07-287-03 SHT 1 OF 2
 ASSY P/N 07-287-04 SHT 2 OF 2
 THIS DWG SUPERCEDES 07S287-01

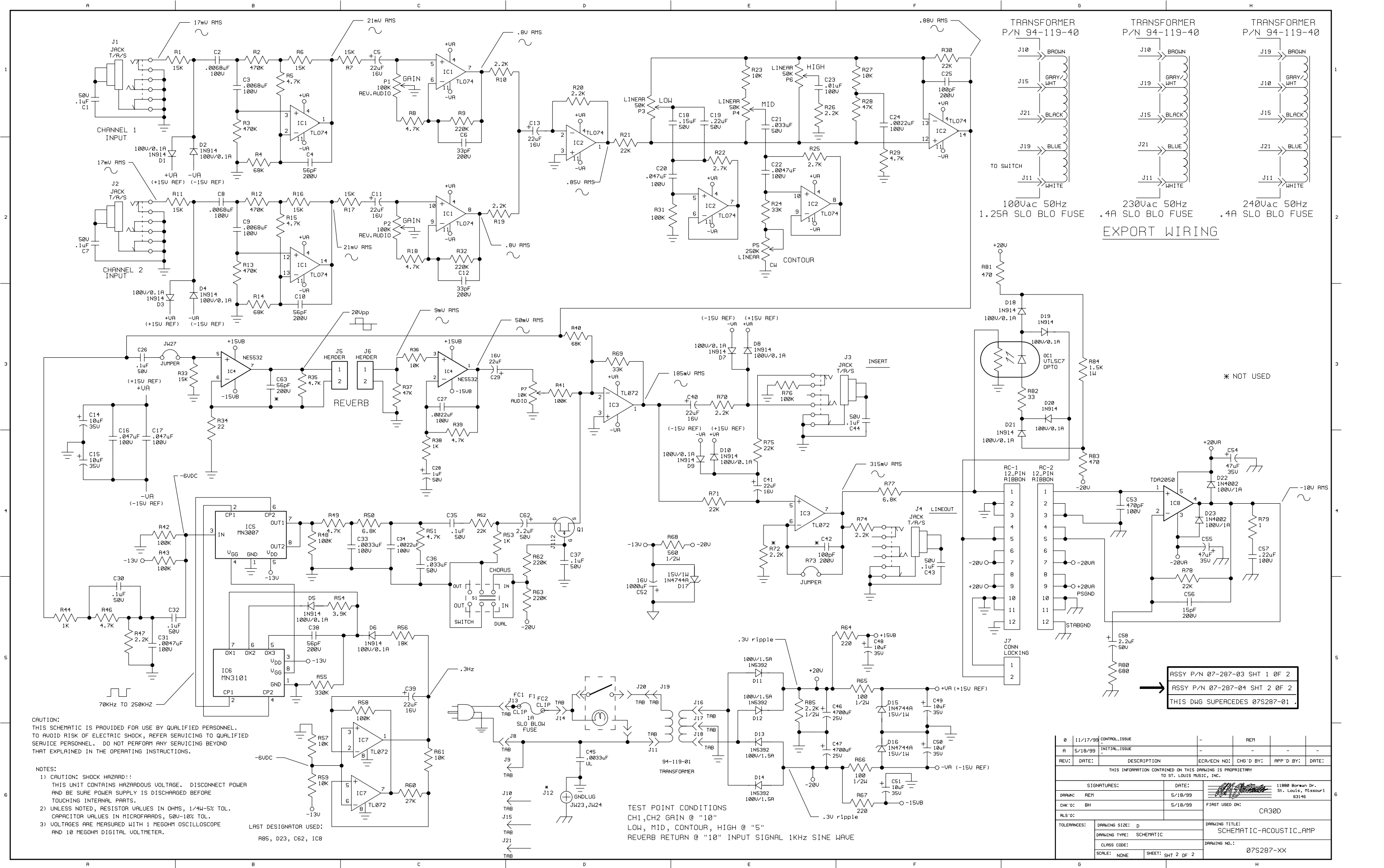
CAUTION:
 THIS SCHEMATIC IS PROVIDED FOR USE BY QUALIFIED PERSONNEL.
 TO AVOID RISK OF ELECTRIC SHOCK, REFER SERVICING TO QUALIFIED
 SERVICE PERSONNEL. DO NOT PERFORM ANY SERVICING BEYOND
 THAT EXPLAINED IN THE OPERATING INSTRUCTIONS.

- NOTES:
- 1) CAUTION: SHOCK HAZARD!!
 THIS UNIT CONTAINS HAZARDOUS VOLTAGE. DISCONNECT POWER
 AND BE SURE POWER SUPPLY IS DISCHARGED BEFORE
 TOUCHING INTERNAL PARTS.
 - 2) UNLESS NOTED, RESISTOR VALUES IN OHMS, 1/4W-5% TOL.
 CAPACITOR VALUES IN MICROFARADS, 50V-10% TOL.
 - 3) VOLTAGES ARE MEASURED WITH 1 MEGOHM OSCILLOSCOPE
 AND 10 MEGOHM DIGITAL VOLTMETER.

LAST DESIGNATOR USED:
 R85, D23, C58, IC8

TEST POINT CONDITIONS
 CH1, CH2 GAIN @ "10"
 LOW, MID, CONTOUR, HIGH @ "5"
 REVERB RETURN @ "10" INPUT SIGNAL 1KHz SINE WAVE

| | | | | | | | |
|--|----------|-------------------|-------------|--|-----------|-------|--|
| 0 | 11/17/99 | CONTROL ISSUE | | | | | |
| A | 5/18/99 | INITIAL ISSUE | | | | | |
| REV: | DATE: | DESCRIPTION: | ECR/ECN NO: | CHG'D BY: | APP'D BY: | DATE: | |
| THIS INFORMATION CONTAINED ON THIS DRAWING IS PROPRIETARY TO ST. LOUIS MUSIC, INC. | | | | | | | |
| SIGNATURES: | | DATE: | | 11880 Bowman Dr. St. Louis, Missouri 1 63146 | | | |
| DRAWN: REM | | 5/18/99 | | FIRST USED ON: CA30D | | | |
| CHK'D: BH | | 5/18/99 | | DRAWING NO.: 07S287-XX | | | |
| TOLERANCES: | | DRAWING SIZE: D | | DRAWING TITLE: SCHEMATIC-ACOUSTIC AMP | | | |
| DRAWING TYPE: SCHEMATIC | | CLASS CODE: | | DRAWING NO.: | | | |
| SCALE: NONE | | SHEET: SHT 1 OF 2 | | DRAWING NO.: | | | |



CAUTION:
THIS SCHEMATIC IS PROVIDED FOR USE BY QUALIFIED PERSONNEL.
TO AVOID RISK OF ELECTRIC SHOCK, REFER SERVICING TO QUALIFIED
SERVICE PERSONNEL. DO NOT PERFORM ANY SERVICING BEYOND
THAT EXPLAINED IN THE OPERATING INSTRUCTIONS.

- NOTES:
- 1) CAUTION: SHOCK HAZARD!!
THIS UNIT CONTAINS HAZARDOUS VOLTAGE. DISCONNECT POWER
AND BE SURE POWER SUPPLY IS DISCHARGED BEFORE
TOUCHING INTERNAL PARTS.
 - 2) UNLESS NOTED, RESISTOR VALUES IN OHMS, 1/4W-5% TOL.
CAPACITOR VALUES IN MICROFARADS, 50V-10% TOL.
 - 3) VOLTAGES ARE MEASURED WITH 1 MEGOHM OSCILLOSCOPE
AND 10 MEGOHM DIGITAL VOLTMETER.

LAST DESIGNATOR USED:
R85, D23, C62, IC8

TEST POINT CONDITIONS
CH1, CH2 GAIN @ "10"
LOW, MID, CONTOUR, HIGH @ "5"
REVERB RETURN @ "10" INPUT SIGNAL 1KHz SINE WAVE

ASSY P/N 07-287-03 SHT 1 OF 2
ASSY P/N 07-287-04 SHT 2 OF 2
THIS DWG SUPERCEDES 07S287-01

| | | | | | | |
|--|----------|-------------------------|--|-----------|-----------|-------|
| REV: | DATE: | DESCRIPTION: | ECR/ECN NO.: | CHG'D BY: | APP'D BY: | DATE: |
| 0 | 11/17/98 | CONTROL_ISSUE | - | - | - | - |
| A | 5/18/99 | INITIAL_ISSUE | - | - | - | - |
| THIS INFORMATION CONTAINED ON THIS DRAWING IS PROPRIETARY TO ST. LOUIS MUSIC, INC. | | | | | | |
| SIGNATURES: | | DATE: | 11880 Bowman Dr. St. Louis, Missouri 63146 | | | |
| DRAWN: | REM | 5/18/99 | FIRST USED ON: CA30D | | | |
| CHK'D: | BH | 5/18/99 | DRAWING TITLE: SCHEMATIC-ACOUSTIC_AMP | | | |
| TOLERANCES: | | DRAWING SIZE: D | DRAWING NO.: 07S287-XX | | | |
| CLASS CODE: | | DRAWING TYPE: SCHEMATIC | SCALE: NONE | | | |
| SCALE: NONE | | SHEET: SHT 2 OF 2 | | | | |