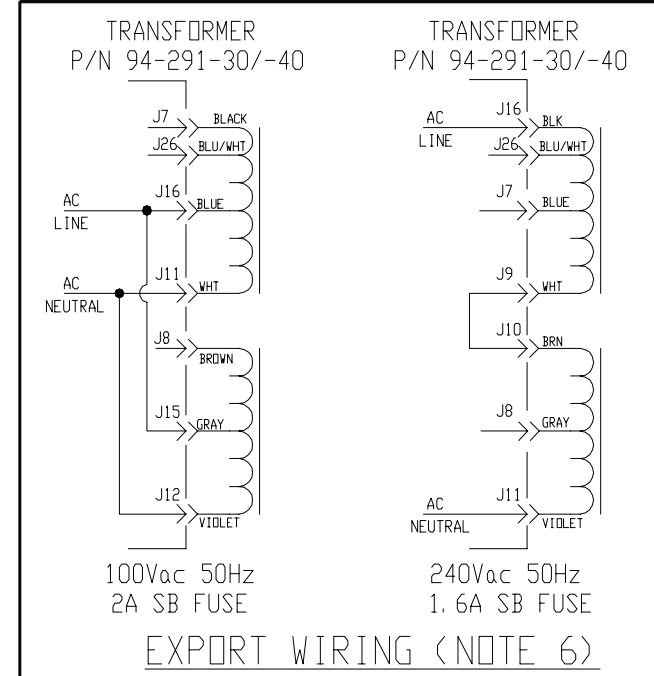


BIAS: WITH NO SIGNAL AND NO LOAD ADJUST AP1 FOR 5mV ACROSS R53.

INPUT PAD @ '0dB'
GAIN LEVEL & BAL LEVEL @ '10'
CONTOUR @ OFF
BAL. LINE OUT 'POST'
4 OHM LOAD
1 KHZ 14mV INPUT SIGNAL

T.P.	AC VOLTAGE RMS	DC VOLTAGE
1	275mV	---
2	320mV	---
3	310mV	---
4	300mV	---
5	50mV	---
6	450mV	---
7	1.15V	---
8	15V	---
9	0.5V ripple	+32V
10	0.5V ripple	-32V
11	---	+16V
12	---	-16V

CAUTION:
THIS SCHEMATIC IS PROVIDED FOR USE BY QUALIFIED PERSONNEL. TO AVOID RISK OF ELECTRIC SHOCK, REFER SERVICING TO QUALIFIED SERVICE PERSONNEL. DO NOT PERFORM ANY SERVICING BEYOND THAT EXPLAINED IN THE OPERATING INSTRUCTIONS.

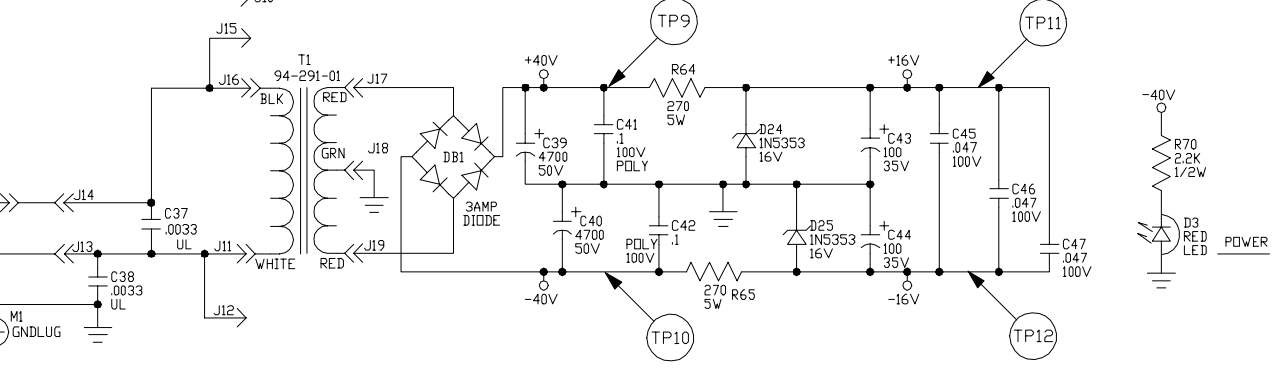


100Vac 50Hz
2A SB FUSE
EXPORT WIRING (NOTE 6)

240Vac 50Hz
1.6A SB FUSE

NOT USED:
R43, R57-R60, C48, D18, Q1

- NOTES**
- 1) CAUTION: SHOCK HAZARD!! THIS UNIT CONTAINS HAZARDOUS VOLTAGE. DISCONNECT POWER AND BE SURE POWER SUPPLY IS DISCHARGED BEFORE TOUCHING INTERNAL PARTS.
 - 2) UNLESS NOTED, RESISTOR VALUES IN OHMS, 1/4W-5% TOL. CAPACITOR VALUES IN MICROFARADS, 50V-10% TOL.
 - 3) VOLTAGES ARE MEASURED WITH 1 MEGOHM OSCILLOSCOPE AND 10 MEGOHM DIGITAL VOLTMETER.
 - 4) CIRCUIT GROUND \perp SWITCH GROUND \perp CHASSIS GROUND \perp
 - 5) J5 ON 07-232-01 ONLY
JW26 ON 07-232-02 ONLY
 - 6) BLU/WHT XFMR LEAD NOT USED ON 94-291-30. THE 94-291-30 WAS NOT CAPABLE OF 240V. FOR 230V WIRE BLK LEAD TO J16 FOR THE 94-291-30 AND WIRE THE BLU/WHT LEAD TO J16 FOR THE 94-291-40 XFMR. J26 NOT USED ON ALL VERSIONS.



12	2/12/98	WFB		REVISIONS PER ECO #970564, #970826
11	10/23/97	SWR		ADDED J26 PER ECO #970445.
10	06/11/97	DLS		CHANGED 230VAC FUSE INFO PER E970314
9	05/07/97	MAG		ADDED 02 VERSION PER ECO 270219.
8	08/28/96	LMA		UPDATED REV TO REFLECT PICT CHG E960254
7	05/31/96	LMA	TGK	EXPORT WIRING-CORRECTION- J11 MISLABELED S/BE J11 E960223
6	04/25/96	LMA		ADDED JUMPER NOTE ON PIC PER E960153
5	08/07/95	SWR		CHANGED BIAS FROM 10mV TO 5mV. PER ECO #E950218
4	06/19/95	SWR		ADDED TUBING TO PICTORIAL FOR CENTER LEG OF Q2. PER ECO #E950105.

3	04/13/94	LMA		REV CHG ONLY TO REFLECT JUMPER WIRE PER E150 CHANGED LABELS ON EQ. POTS P5-P10.
2	02/17/94	ERW		REPLACED C26 & C27 WITH 22UF/50V.
1	01/27/93	ERW		REPLACED Q9 WITH MPSA06, R67 WITH 33K & R68 WITH 4.7K, PER E017.
REV	DATE	BY	CHK'D	DESCRIPTION
SIGNATURES:		DATE:		 11880 BORMAN DR. ST. LOUIS, MISSOURI 63146 PROJECT NAME: BX-100 BASS AMP DRAWING NAME: SCHEMATIC
DRAWN:	ERW	01/27/94		
CHK'D:	TEK	01/27/94		
APP'D:	TEK	01/27/94		
ORIGINAL ISSUED:		01/27/94		
PLOT DATE:		08/14/98		DRAWING NO.: 07S232-01/02
PLOT TIME:		07:16:11		REV: 12
FILE NAME:		23201HL		SCALE: NTS SHEET: 1 OF 1