


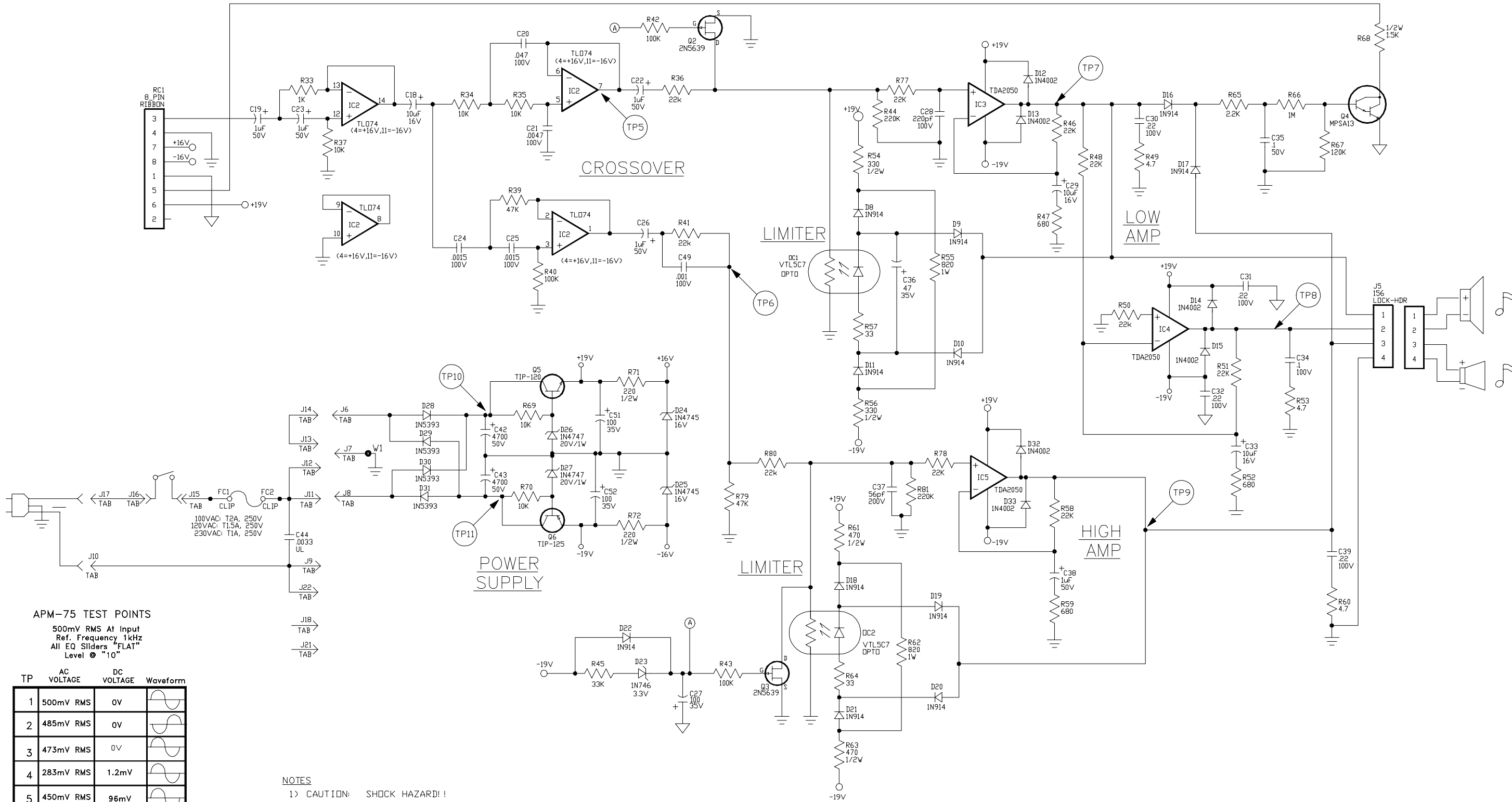
NOTES

- 1) CAUTION: SHOCK HAZARD!!
THIS UNIT CONTAINS HAZARDOUS VOLTAGE. DISCONNECT POWER AND BE SURE POWER SUPPLY IS DISCHARGED BEFORE TOUCHING INTERNAL PARTS.
- 2) UNLESS NOTED, RESISTOR VALUES IN OHMS, 1/4W-5% TOL. CAPACITOR VALUES IN MICROFARADS, 50V-10% TOL.
- 3) VOLTAGES ARE MEASURED WITH 1 MEGOHM OSCILLOSCOPE AND 10 MEGOHM DIGITAL VOLTMETER.
- 4) CIRCUIT GROUND --- SWITCH GROUND --- CHASSIS GROUND ---

CAUTION:

THIS SCHEMATIC IS PROVIDED FOR USE BY QUALIFIED PERSONNEL. TO AVOID RISK OF ELECTRIC SHOCK, REFER SERVICING TO QUALIFIED SERVICE PERSONNEL. DO NOT PERFORM ANY SERVICING BEYOND THAT EXPLAINED IN THE OPERATING INSTRUCTIONS.

6				
5	10/01/97	MAG		CHG'D 12-107-32,12-476-32,96-013-01 TO 12R107-32,12R47635,96R013-01 PER E970570.
4	07/11/97	SWR		CHANGED FC1 AND FC2 ON PICTORIAL PER ECO #970104.
3	08/30/96	LMA		UPDATED REV TO REFLECT PIC CHANGE E960254
2	05/24-94	LMA		REV CHG TO REFLECT JUMPER CHG PER E150
1	01/11/94	REM		SWAPPED PINS 5 & 6 OF J3 & J4 J19 REDESIGNATED AS RC1
REV	DATE	BY	CHK'D	DESCRIPTION
SIGNATURES:		DATE:		 11880 BORMAN DR. ST. LOUIS, MISSOURI 63146 PROJECT NAME: APM-75 MONITOR DRAWING NAME: SCHEMATIC DRAWING DRAWING NO. 07S660-01 REV: 5_ SCALE: NONE SHEET: 1 OF 2
DRAWN:	MGA	09/02/93		
CHK'D:	DKS	09/02/93		
APP'D:	DKS	09/02/93		
ORIGINAL ISSUED:		09/02/93		
PLOT DATE:		10/07/97		
PLOT TIME:		12:30:42		
FILE NAME:	66001h5_			



APM-75 TEST POINTS
 500mV RMS At Input
 Ref. Frequency 1kHz
 All EQ Sliders "FLAT"
 Level @ "10"

TP	AC VOLTAGE	DC VOLTAGE	Waveform
1	500mV RMS	0V	
2	485mV RMS	0V	
3	473mV RMS	0V	
4	283mV RMS	1.2mV	
5	450mV RMS	96mV	
6	101mV RMS	0V	
7	9.2V RMS	3.2mV	
8	9.2V RMS	2.8mV	
9	2.2V RMS	4.7mV	
10	.32V P-P RIPPLE	+28.3V	
11	.3V P-P RIPPLE	-28.3V	

- NOTES**
- CAUTION: SHOCK HAZARD!! THIS UNIT CONTAINS HAZARDOUS VOLTAGE. DISCONNECT POWER AND BE SURE POWER SUPPLY IS DISCHARGED BEFORE TOUCHING INTERNAL PARTS.
 - UNLESS NOTED, RESISTOR VALUES IN OHMS, 1/4W-5% TOL. CAPACITOR VALUES IN MICROFARADS, 50V-10% TOL.
 - VOLTAGES ARE MEASURED WITH 1 MEGOHM OSCILLOSCOPE AND 10 MEGOHM DIGITAL VOLTMETER.

CAUTION:
 THIS SCHEMATIC IS PROVIDED FOR USE BY QUALIFIED PERSONNEL. TO AVOID RISK OF ELECTRIC SHOCK, REFER SERVICING TO QUALIFIED SERVICE PERSONNEL. DO NOT PERFORM ANY SERVICING BEYOND THAT EXPLAINED IN THE OPERATING INSTRUCTIONS.

SEE SHT 1 FOR REV HISTORY

SIGNATURES:		DATE:	 11880 BORMAN DR. ST. LOUIS, MISSOURI 63146
DRAWN:	MGA	09/02/93	
CHK'D:	DKS	09/02/93	PROJECT NAME:
APP'D:	DKS	09/02/93	APM-75 MONITOR
ORIGINAL ISSUED:	09/02/93	DRAWING NAME:	SCHEMATIC DRAWING
PLOT DATE:	10/07/97	DRAWING NO.	07S660-01
PLOT TIME:	12:30:42	REV.	5
FILE NAME:	66001h5_	SCALE:	NONE
		SHEET:	2 OF 2