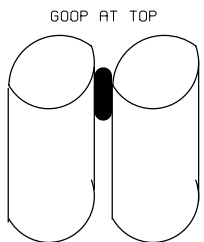


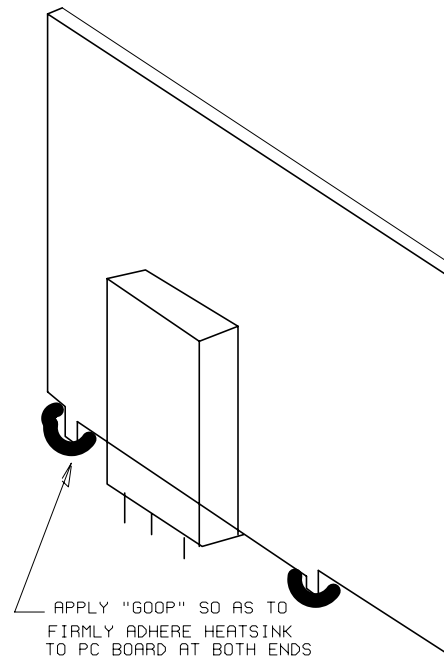
GOOP THE 4 SPOTS BETWEEN PARTS AS SHOWN BELOW:



GOOP AT TOP

NOTES

- 1) CAUTION: SHOCK HAZARD!!  
THIS UNIT CONTAINS HAZARDOUS VOLTAGE. DISCONNECT POWER AND BE SURE POWER SUPPLY IS DISCHARGED BEFORE TOUCHING INTERNAL PARTS.
  - 2) UNLESS NOTED, RESISTOR VALUES IN OHMS, 1/4W-5%TOL. CAPACITOR VALUES IN MICROFARADS, 50V-10%TOL.
  - 3) VOLTAGES ARE MEASURED WITH 1 MEGOHM OSCILLOSCOPE AND 10 MEGOHM DIGITAL VOLTMETER.
- GOOP PARTS AS SHOWN PER STANDARD PRACTICE.



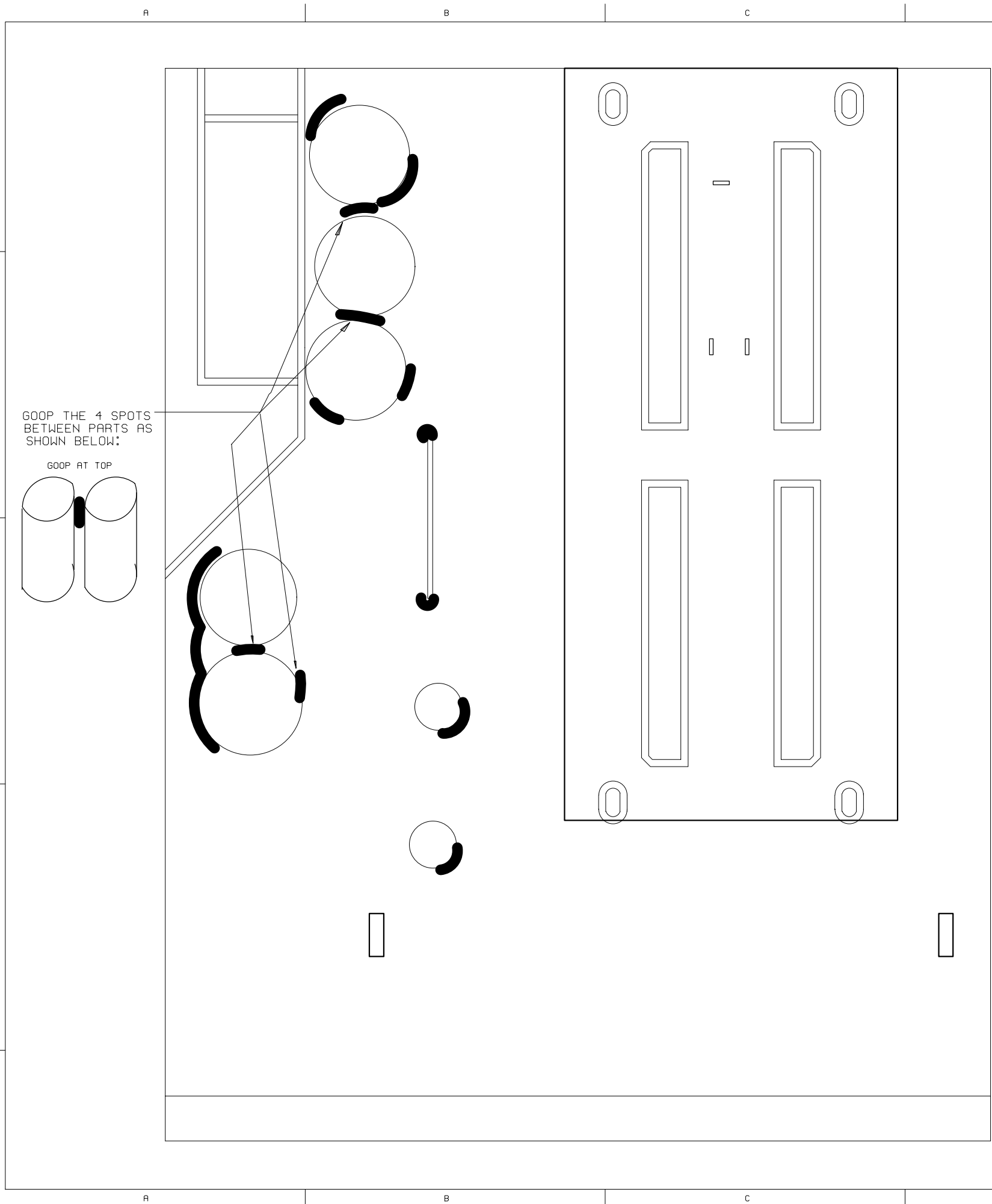
APPLY "GOOP" SO AS TO FIRMLY ADHERE HEATSINK TO PC BOARD AT BOTH ENDS WHERE HEATSINK TABS FIT IN BOARD

- \* ASSY 07-437-02 RMA-1601 HAS R23 & R26, DOES NOT HAVE J1.
- \* ASSY 07-437-10 RMA-1650 HAS J1, DOES NOT HAVE R23 & R26.

4	3-25-99	MOVED_C214	990062	REM		
3	4-3-98	CHANGED_78-033-01_TO_78A033-01	980254	REM		
2	3-24-98	UPDATE_TO_MATCH_DRILL	980278	REM		
1	2-20-98	PARTS_MISSING_FROM_PARTS_LIST	980206	REM		
REV:	DATE:	DESCRIPTION	ECO/ECA NO:	CHNG'D BY:	APPR'D BY:	DATE:

THIS INFORMATION CONTAINED ON THIS DRAWING IS PROPRIETARY TO ST. LOUIS MUSIC, INC.						
SIGNATURES:		DATE:		11880 Borman Dr. St. Louis, Missouri 63146		
DRAWN: REM		12-19-97		FIRST USED ON: RMA_1601/1650		
CHK'D:		DRAWING TITLE: PICTORIAL				
RLS'D:		DRAWING NO.: 07P437-02/10				
TOLERANCES:		DRAWING SIZE: C		SCALE: 1:1 SHEET: SHT 1 OF 4		
		DRAWING TYPE:				
		CLASS CODE:				

A				B				C				D				E				F			
REF	DES	PART #	DESCRIPTION	REF	DES	PART #	DESCRIPTION	REF	DES	PART #	DESCRIPTION	REF	DES	PART #	DESCRIPTION	REF	DES	PART #	DESCRIPTION	REF	DES	PART #	DESCRIPTION
AF101		71-501-02	500 TRIM	D4		21A593-01	1N5393 200V/1.5A	FC1		23-926-02	CLIP	R18		77-473-01	47K 1/2W	R191		77-152-03	1.5K 1/2W	R192		78-470-05	0.47 5W
AP201		71-501-02	500 TRIM	D5		21A593-01	1N5393 200V/1.5A	FC2		23-926-02	CLIP	R19		77-473-01	47K 1/2W	R193		78-470-05	0.47 5W	R194		78-470-05	0.47 5W
C1		10A104-01	.1uF 50V	D6		21A593-01	1N5393 200V/1.5A	FC3		23-926-02	CLIP	R20		76-273-01	27K	R195		77-470-03	47 1/2W	R196		77-152-03	1.5K 1/2W
C2		10A104-01	.1uF 50V	D7		21A402-01	1N4002 100V/1A	FC4		23-926-02	CLIP	R21		76-101-01	100	R197		78-470-05	0.47 5W	R198		78-470-05	0.47 5W
C3		12-228-32	2200uF 35V	D8		21A402-01	1N4002 100V/1A	FC5		23-926-02	CLIP	R22		76-103-02	10K 1/4W	R199		77-152-03	1.5K 1/2W	R200		77-470-03	47 1/2W
C4		12-228-32	2200uF 35V	D9		21A402-01	1N4002 100V/1A	FC6		23-926-02	CLIP	R23		76-333-02	33.2K 1/4W	R201		76-103-02	10K 1/4W	R202		76-103-02	10K 1/4W
C5		10A473-11	.047uF 100V	D10		21A402-01	1N4002 100V/1A	FC7		23-926-02	CLIP	R24		76-233-02	23.2K 1/4W	R203		76-103-02	10K 1/4W	R204		76-103-02	10K 1/4W
C6		10A473-11	.047uF 100V	D11		21A437-01	1N4737A 7.5V/1W	FC8		23-926-02	CLIP	R25		76-333-02	33.2K 1/4W	R205		76-101-01	100 1/2W	R206		76-101-01	100 1/2W
C7		10A223-01	.022uF 50V	D12		21A914-01	1N914 100V/0.1A	* J1	17-101-16	100	DR_HEADER	R26		76-233-02	23.2K 1/4W	R207		76-103-01	10K 1/4W	R208		76-103-01	10K 1/4W
C8		10A223-01	.022uF 50V	D13		21A914-01	1N914 100V/0.1A	J2	17-105-02	CONN		R27		76-103-02	10K 1/4W	R209		76-473-02	47.5K 1/4W	R210		76-172-02	1.74K 1/4W
C9		10-684-10	.68uF 400V	D14		21A914-01	1N914 100V/0.1A	J3	17-105-02	CONN		R28		76-233-02	23.2K 1/4W	R211		76-471-01	470 1/2W	R212		76-182-01	1.8K 1/2W
C10		10-684-10	.68uF 400V	D15		21A146-01	1N746A 3.3V/0.5W	J4	17-310-03	156	HEADER	R29		76-333-02	33.2K 1/4W	R213		76-152-01	1.5K 1/2W	R214		77-103-01	10K 1/2W
C11		10A223-01	.022uF 50V	D16		21A593-01	1N5393 200V/1.5A	J5	17-195-06	AMP	HEADER	R30		76-233-02	23.2K 1/4W	R215		76-821-01	820 1/2W	R216		76-821-01	820 1/2W
C12		12-688-10	6800uF 100V	D17		21A593-01	1N5393 200V/1.5A	J6	39-931-01			R31		76-103-02	33.2K 1/4W	R217		76-102-01	1K 1/2W	R218		76-152-01	1.5K 1/2W
C13		12R106-36	10uF 35V	D18		21-502-01	GREEN LED	J101	39-117-51	T/R/S	JACK	R32		77-010-03	1 1/2W	R219		76-224-01	220K 1/2W	R220		76-223-01	22K 1/2W
C14		12R106-36	10uF 35V	D19		21A914-01	1N914 100V/0.1A	J102	39-320-01	FEMALE	XLR	R33		77-010-03	1 1/2W	R221		76-103-01	10K 1/4W	R222		76-335-01	3.3M 1M
C15		12R227-32	220uF 35V	D20		21A914-01	1N914 100V/0.1A	J103	39-320-01	FEMALE	XLR	R34		76-103-02	10K 1/4W	R223		76-105-01	1M 1/2W	R224		76-473-01	47K 1/2W
C16		10-104-10	.1uF 400V	D21		21A370-01	1N3070 200V/0.1A	J104	DO NOT INSTALL			R35		76-103-02	10K 1/4W	R225		76-152-01	1.5K 1/2W	R226		76-152-01	1.5K 1/2W
C17		10-104-21	.1uF 250V	D22		21A593-01	1N5393 200V/1.5A	J105	39-931-01			R36		76-103-02	10K 1/4W	R227		76-333-01	33K 1/2W	R228		76-333-01	33K 1/2W
C18		10-104-21	.1uF 250V	D23		21A593-01	1N5393 200V/1.5A	J106	17-836-01	TAB		R37		76-103-02	10K 1/4W	R229		76-472-01	47K 1/2W	R230		76-102-01	1K 1/2W
C19		12-228-16	2200uF 16V	D24		21A593-01	1N5393 200V/1.5A	J107	17-836-01	TAB		R38		76-103-02	10K 1/4W	R231		77-101-01	100 1/2W	R232		76-102-01	1K 1/2W
C20		12-228-16	2200uF 16V	D25		21A593-01	1N5393 200V/1.5A	J108	17-836-01	TAB		R39		76-103-02	10K 1/4W	R233		76-223-01	22K 1/2W	R234		76-103-01	10K 1/2W
C21		12-688-10	6800uF 100V	D26		21A593-01	1N5393 200V/1.5A	J109	17-836-01	TAB		R40		76-103-02	10K 1/4W	R235		76-105-01	1M 1/2W	R236		76-105-01	1M 1/2W
C22		12-688-10	6800uF 100V	D27		21A914-01	1N914 100V/0.1A	J201	39-117-51	T/R/S	JACK	R41		76-103-01	10K 1/2W	R237		76-133-01	13K 1/2W	R238		76-682-01	6.8K 1/2W
C23		12-688-10	6800uF 100V	D28		21A914-01	1N914 100V/0.1A	J202	39-320-01	FEMALE	XLR	R42		76-101-01	100 1/2W	R239		76-470-03	47 1/2W	R240		78A033-01	3.3 1W
C24		12-688-10	6800uF 100V	D29		21A914-01	1N914 100V/0.1A	J203	DO NOT INSTALL			R43		76-101-01	100 1/2W	R241		76-335-01	3.3M 1/2W	R242		76-104-01	100K 1/2W
C25		12R105-51	1uF 50V	D30		21A914-01	1N914 100V/0.1A	J204	39-931-01			R44		76-102-01	100 1/2W	R243		76-153-01	15K 1/2W	R244		76-823-01	82K 1/2W
C26		12R226-50	22uF 50V	D31		21A914-01	1N914 100V/0.1A	J205	17-836-01	TAB		R45		76-102-01	100 1/2W	R245		76-223-01	22K 1/2W	R246		76-223-01	22K 1/2W
C27		12-688-10	6800uF 100V	D32		21A914-01	1N914 100V/0.1A	J206	17-836-01	TAB		R46		76-102-01	100 1/2W	R247		76-272-01	2.7K 1/2W	R248		76-472-01	4.7K 1/2W
C28		10-104-10	.1uF 400V	D33		21A914-01	1N914 100V/0.1A	K101	82-090-01	RELAY		R47		76-102-01	100 1/2W	R249		76-102-01	1K 1/2W	R250		76-472-01	4.7K 1/2W
C29		10-104-21	.1uF 250V	D34		21A914-01	1N914 100V/0.1A	K201	82-090-01	RELAY		R48		76-102-01	100 1/2W	R251		76-102-01	1K 1/2W	R252		77-102-03	1K 1/2W
C30		10-104-21	.1uF 250V	D35		21A914-01	1N914 100V/0.1A	L101	94-141-01	.5uH	BEAD	R49		76-102-01	100 1/2W	R253		77-102-03	1K 1/2W	R254		77-470-03	47 1/2W
C31		10A331-11	330pF 100V	D36		21A914-01	1N914 100V/0.1A	L102	94A001-01	FERRITE	BEAD	R50		76-102-01	100 1/2W	R255		77-470-03	47 1/2W	R256		77-470-03	47 1/2W
C32		10A331-11	330pF 100V	D37		21A914-01	1N914 100V/0.1A	L103	94A001-01	FERRITE	BEAD	R51		76-102-01	100 1/2W	R257		76-823-01	82K 1/2W	R258		76-681-01	680 1/2W
C33		10A331-11	330pF 100V	D38		21-501-01	RED LED	L201	94-141-01	.5uH	BEAD	R52		76-102-01	100 1/2W	R259		76-823-01	82K 1/2W	R260		76-823-01	82K 1/2W
C34		10A331-11	330pF 100V	D39		21-502-01	GREEN LED	L202	94A001-01	FERRITE	BEAD	R53		76-102-01	100 1/2W	R261		76-471-01	470 1/2W	R262		76-471-01	470 1/2W
C35		10A223-01	.022uF 50V	D40		21A914-01	1N914 100V/0.1A	L203	94A001-01	FERRITE	BEAD	R54		76-102-01	100 1/2W	R263		76-471-01	470 1/2W	R264		76-471-01	470 1/2W
C36		10A104-01	.1uF 50V	D41		21A914-01	1N914 100V/0.1A	P101	70-103-68	10KA		R55		76-102-01	100 1/2W	R265		77-103-01	10K 1/2W	R266		77-103-01	10K 1/2W
C37		10A104-01	.1uF 50V	D42		21A914-01	1N914 100V/0.1A	P201	70-103-68	10KA		R56		76-102-01	100 1/2W	R267		77-221-03	220 1/2W	R268		77-221-03	220 1/2W
C101		12R106-36	10uF 35V	D43		21A370-01	1N3070 200V/0.1A	Q1	96-125-01	TIP-125		R57		76-473-01	47K 1/2W	R269		77-103-01	10K 1/2W	R270		77-470-03	47 1/2W
C102		12R106-36	10uF 35V	D44		21A914-01	1N914 100V/0.1A	Q101	96R006-01	MPSA06		R58		76-152-01	1.5K 1/2W	R271		76-470-03	47 1/2W	R272		77-152-03	1.5K 1/2W
C103		10A101-21	100pF 200V	D45		21A914-01	1N914 100V/0.1A	Q102	96R056-01	MPSA56		R59		76-103-01	10K 1/2W	R273		76-102-01	1K 1/2W	R274		78-470-05	0.47 5W
C104		10A101-21	100pF 200V	D46		21A914-01	1N914 100V/0.1A	Q103	96R006-01	MPSA06		R60		76-333-01	33K 1/2W	R275		76-102-01	1K 1/2W	R276		77-470-05	0.47 5W
C105		12R106-36	10uF 35V	D47		21A914-01	1N914 100V/0.1A	Q104	96R056-01	MPSA56		R61		76-472-01	4.7K 1/2W	R277		76-103-01	10K 1/2W	R278		77-470-03	47 1/2W
C106		12R106-36	10uF 35V	D48		21A914-01	1N914 100V/0.1A	Q105	96-914-02	IRFP9240		R62		76-472-01	4.7K 1/2W	R279		76-103-01	10K 1/2W	R280		77-152-03	1.5K 1/2W
C107		12R226-82	22uF 16V	D49		21A914-01	1N914 100V/0.1A	Q106	96R042-01	MPSW42		R63		76-102-01	100 1/2W	R281		76-102-01	1K 1/2W	R282		78-470-05	0.47 5



REF DES	PART #	DESCRIPTION	
R277	77-470-03	47	1/2W
R278	77-152-03	1.5K	1/2W
R279	77-152-03	1.5K	1/2W
R280	78-470-05	0.47	5W
R281	78-470-05	0.47	5W
R282	77-470-03	47	1/2W
R283	77-470-03	47	1/2W
R284	77-152-03	1.5K	1/2W
R285	77-152-03	1.5K	1/2W
R286	78-470-05	0.47	5W
R287	78-470-05	0.47	5W
R288	77-470-03	47	1/2W
R289	77-470-03	47	1/2W
R290	77-152-03	1.5K	1/2W
R291	77-152-03	1.5K	1/2W
R292	78-470-05	0.47	5W
R293	78-470-05	0.47	5W
R294	78-470-05	0.47	5W
R295	77-470-03	47	1/2W
R296	77-152-03	1.5K	1/2W
R297	78-470-05	0.47	5W
R298	78-470-05	0.47	5W
R299	77-152-03	1.5K	1/2W
R300	77-470-03	47	1/2W
S1	88-302-01	DUAL	SWITCH
S2	88-302-01	DUAL	SWITCH
U1	37-715-01	78M15	
U2	37-915-01	79M15	
U3	37-350-01	LM-35	
U5	37-275-01	OP275	
U6	37-074-01	TL074	
U7	37-074-01	TL074	
U8	37-275-01	OP275	
U9	37-275-01	OP275	
VR101	66-100-01	UTL5C7	OPTO
VR201	66-100-01	UTL5C7	OPTO

JW1-148 76-000-05 JUMPER WIRE		
MISCELLANEOUS HARDWARE:		
QUANTITY	PART #	DESCRIPTION
1	06A437-02	RMA-1601/1650 PCB
4	30-440-02	4-40 X 3/8" PPH MS
20	30-443-01	4-40 X 3/8" CAP SCREW
20	30-636-01	#6 BELLEVILLE WASHER
5	30-638-75	6-32 X 3/4" PPH MS
1	30-639-52	6-32 X 9/16" PPH MS
1	33-157-03	MAIN HEATSINK
1	33-222-01	RECTIFIER HEATSINK
7	33-576-01	T0-220 CLIP-ON HEATSINK
4	35-043-01	NYLON BUSHING
3	35-080-01	INSULATOR TUBING
2	35-570-02	BERQUIST INSULATOR 9.5"
2	68-602-01	RELAY DUST COVER T90
1	81-207-01	SILCON RUBBER PAD
1	81-208-01	SILCON RUBBER PAD
5	85-627-01	.200 SWAGE STANDOFF

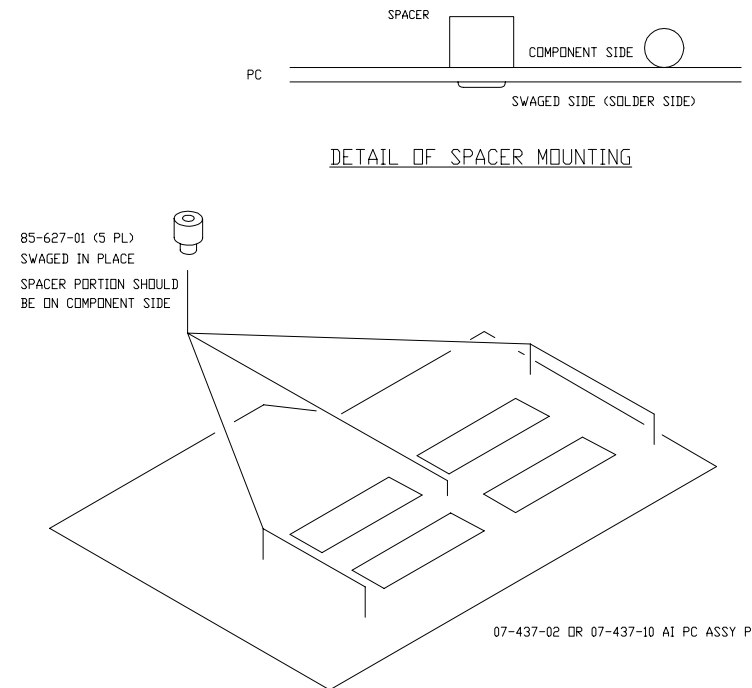
  

WIRE PREPS:		
QUANTITY	PART #	DESCRIPTION
1	97-152-38	6" SLUG/250 18GA RED
1	97-152-39	5" SLUG/250 18GA BLK
1	97-152-40	5" SLUG/250 18GA WHT
1	97-152-41	5" SLUG/250 18GA BLUE
1	97-153-72	4" 18GA SLUG/#10RNG RED
1	97-153-76	4" 18GA SLUG/#10RNG BLK
1	97-153-98	4" 18GA SLUG/RING WHT
1	97-153-99	4" 18GA SLUG/RING BLUE
1	06A437-02	PWA-POWER AMP

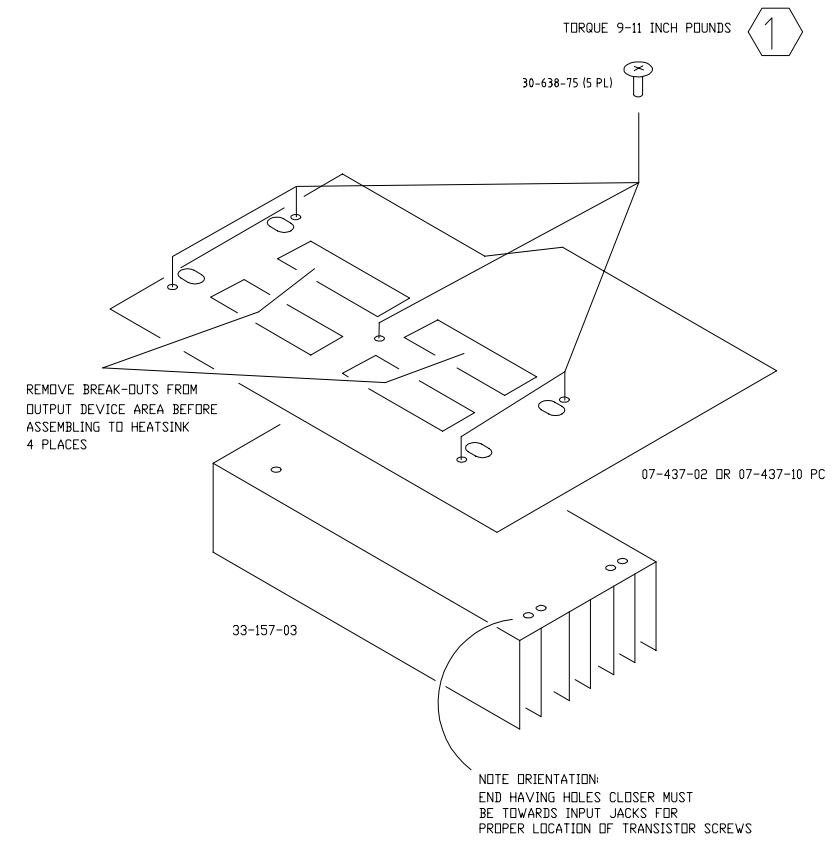
\* ASSY 07-437-02 RMA-1601 HAS R23 & R26, DOES NOT HAVE J1.  
 \* ASSY 07-437-10 RMA-1650 HAS J1, DOES NOT HAVE R23 & R26.

4	SEE_SHT_1_FOR_REU_HISTORY					
REV:	DATE:	DESCRIPTION	ECO/ECR NO:	CHNG'D BY:	APPR'D BY:	DATE:
THIS INFORMATION CONTAINED ON THIS DRAWING IS PROPRIETARY TO ST. LOUIS MUSIC, INC.						
SIGNATURES:		DATE:	11800 Borman Dr. St. Louis, Missouri 63146			
DRAWN:	REM	12-19-97				
CHK'D:			FIRST USED ON:			
RLS'D:			RMA-1601/1650			
TOLERANCES:	DRAWING SIZE:	C	DRAWING TITLE:			
	DRAWING TYPE:		PICTORIAL			
	CLASS CODE:		DRAWING NO.:			
	SCALE:	1:1	07P437-02/10			
			SHEET: SHT 3 OF 4			

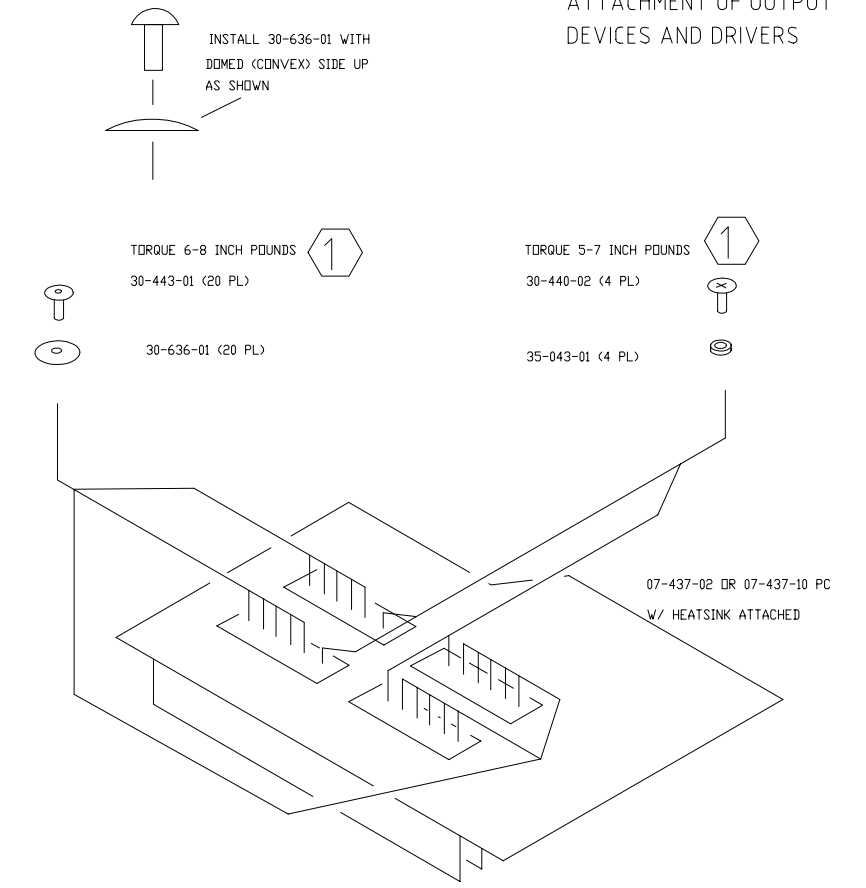
INSTALLATION OF SWAGED STANDOFFS



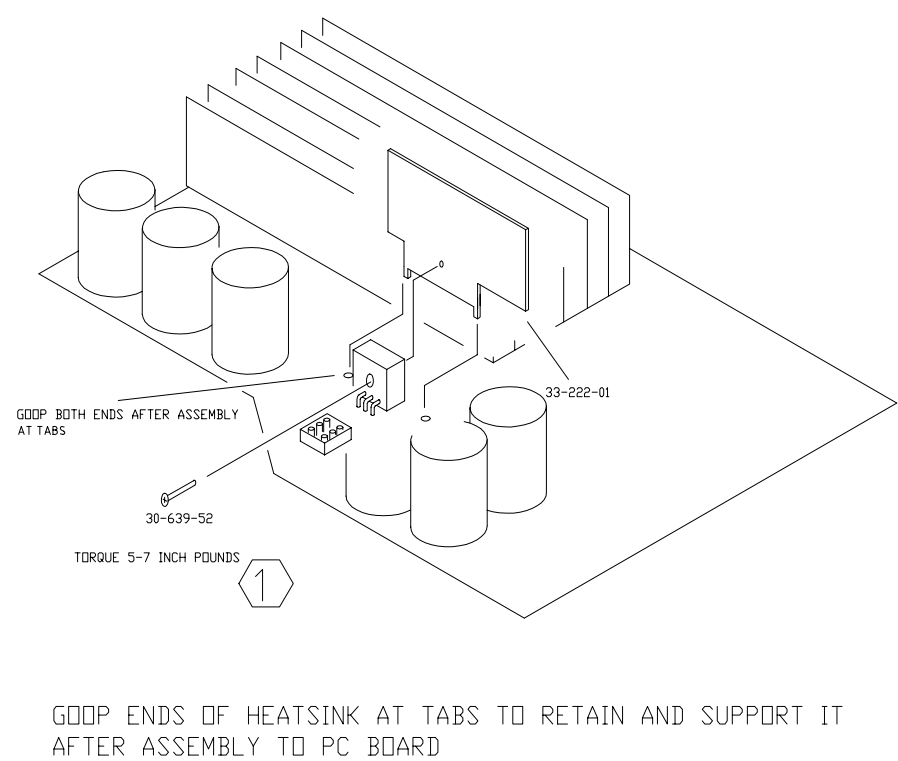
ATTACHMENT OF PC BOARD TO HEATSINK



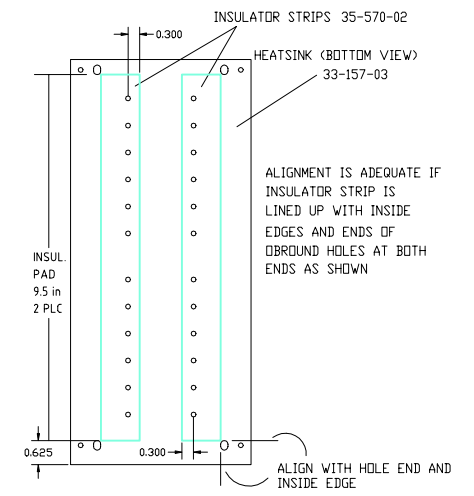
ATTACHMENT OF OUTPUT DEVICES AND DRIVERS



ATTACHMENT OF RECTIFIER HEATSINK



INSULATOR LOCATION



NOTE:  
REFERENCE PCAD DRAWING 06-437-01  
FOR SHEETS 1-3.

TRANSISTOR LEAD BENDING



4	11-24-98	SEE SHT 1 FOR REV HISTORY			
REV:	DATE:	DESCRIPTION	ECR/ECN NO:	CHNG'D BY:	APPR'D BY:
THE INFORMATION CONTAINED ON THIS DRAWING IS PROPRIETARY TO ST. LOUIS MUSIC, INC.					
SIGNATURES:		DATE:		11880 Borman Dr. St. Louis, Missouri 63146	
DRAWN: DDA		1-12-98		FIRST USED ON:	
CHK'D:				RMA-1650/1601	
RLS'D:				DRAWING TITLE:	
TOLERANCES:		DRAWING SIZE: D		DRAWING NO:	
		DRAWING TYPE:		ASSEMBLY DRAWING	
		CLASS CODE:		DRAWING NO:	
		SCALE: 1:1		07-437-02/10	
		SHEET: 4 OF 4			