

ON 07-751-11 ONLY  
BREAK OFF AND DISCARD

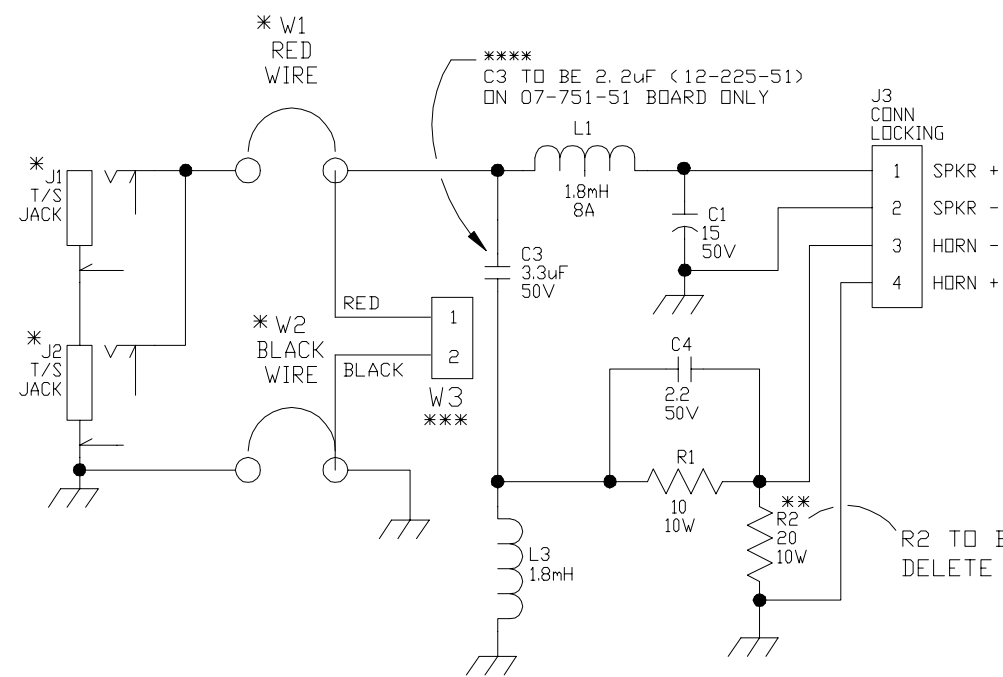
R2 TO BE USED ONLY ON 07-751-01 & -11  
DELETE R2 ON 07-751-51

NOTES

- \* - USED ON 07-751-01 & -51 ONLY  
NOT USED ON 07-751-11.
- \*\* - USED ON 07-751-01 AND -11 ONLY  
NOT USED ON 07-751-51.
- \*\*\* - USED ON 07-751-11  
NOT USED ON 07-751-01 AND -51.
- \*\*\*\* - C3 = 2.2 uF (12-225-51)  
ON 07-751-51 ONLY

07-751-01/11/51 CROSSOVER ASSEMBLY

DESIGNATOR	PART #	DESCRIPTION
C1	12-156-51	15uF 50V
C3	12-335-51	3.3uF 50V
	**** (12-225-51)	2.2uF 50V
C4	12-225-51	2.2uF 50V
* J1	39-116-01	T/S JACK
* J2	39-116-01	T/S JACK
J3	17-309-04	CONN 4 PIN LOCK
L1	94-181-51	1.8mH COIL
L3	94-182-01	1.8mH IRON CORE
R1	78-100-10	10ohm 10W
** R2	78-200-10	20ohm 10W
* W1	97-168-62	6.5" RED WIRE
* W2	97-168-66	6.5" BLACK WIRE
*** W3	97-136-03	2-14" TWISTED PAIR
SCREW (2)	30-895-02	10-32x1 1/4" SCREW
NUT (2)	30-859-01	10-32 ZINC LOCKNUT
SPACER (2)	85-929-01	1/2" NYLON SPACER



R2 TO BE USED ONLY ON 07-751-01 & -11  
DELETE R2 ON 07-751-51

5	7-14-99	SCREW WAS 30-895-01	N00044	RLB		
4	5-12-98	NUT WAS 30896-01	980322	REM		
3	2-2-95	ADDED NOTE **** FOR C3		MGA		
2	8-12-94	ADDED INFO FOR APM-65 DESIGN		SWR		
1	1-29-93	REDESIGN		SWR		
REV:	DATE:	DESCRIPTION	ECR/ECN NO:	CHNG'D BY:	APPR'D BY:	DATE:
THE INFORMATION CONTAINED ON THIS DRAWING IS PROPRIETARY TO ST. LOUIS MUSIC, INC.						
SIGNATURES:		DATE:		11880 Borman Dr. St. Louis, Missouri 63146		
DRAWN:	MGA	6-9-92		FIRST USED ON: PE-12H/15H/PFM-65		
CHK'D:				DRAWING TITLE: CROSSOVER PICTORIAL		
RLS'D:				DRAWING NO.: 07P751-01/11/51		
TOLERANCES:	DRAWING SIZE:	C				
	DRAWING TYPE:					
	CLASS CODE:					
	SCALE:	1:1	SHEET:	1 OF 1		