

REV/EFF

MON

LEVEL

HIGH

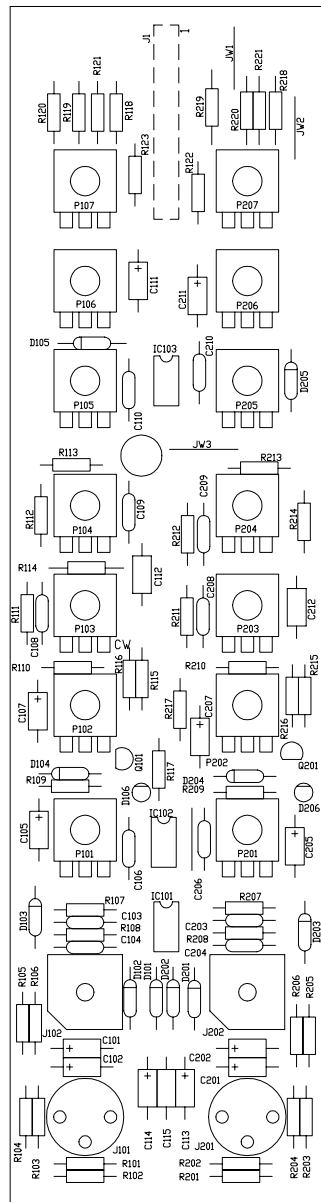
MID

LOW

TRIM

HIGH-Z

LOW-Z



DESIGNATOR	DESCRIPTION	P/N
C101	10uF/16V	12A106-11
C102	10uF/16V	12A106-11
C103	100pF/200V	10A101-21
C104	100pF/200V	10A101-21
C105	10uF/16V	12A106-11
C106	50P/200V	10A500-21
C107	10uF/16V	12A106-11
C108	.01uF/100V	10A103-11
C109	470pF/100V	10A471-11
C110	15pF/200V	10A150-21
C111	10uF/16V	12A106-11
C112	.1uF/50V	10A104-01
C113	10uF/16V	12A106-11
C114	10uF/16V	12A106-11
C115	.047uF/100V	10A473-11
C201	10uF/16V	12A106-11
C202	10uF/16V	12A106-11
C203	100pF/200V	10A101-21
C204	100pF/200V	10A101-21
C205	10uF/16V	12A106-11
C206	50P/200V	10A500-21
C207	10uF/16V	12A106-11
C208	.01uF/100V	10A103-11
C209	470pF/100V	10A471-11
C210	15pF/200V	10A150-21
C211	10uF/16V	12A106-11
C212	.1uF/50V	10A104-01
D101	1N914	21A914-01
D102	1N914	21A914-01
D103	1N914	21A914-01
D104	1N914	21A914-01
D105	1N914	21A914-01
D106	RED LED w/SPCR	21-504-01
D201	1N914	21A914-01
D202	1N914	21A914-01
D203	1N914	21A914-01
D204	1N914	21A914-01
D205	1N914	21A914-01
D206	RED LED w/SPCR	21-504-01
R101	5.11K 1%	76-512-02
R102	5.11K 1%	76-512-02
R103	1.74K 1%	76-172-02
R104	1.74K 1%	76-172-02
R105	10.0K 1%	76-103-02
R106	10.0K 1%	76-103-02
R107	15.4K 1%	76-153-02
R108	15.4K 1%	76-153-02
R109	1K	76-102-01
R110	2.2K	76-222-01
R111	82K	76-823-01
R112	150K	76-154-01
R113	2.2K	76-222-01
R114	2.2K	76-222-01
R115	1M	76-105-01
R116	270K	76-274-01
R117	1.5K	76-152-01
R118	68K	76-683-01
R119	68K	76-683-01
R120	68K	76-683-01
R121	68K	76-683-01
R122	10	76-100-01
R123	10	76-100-01
R201	5.11K 1%	76-512-02
R202	5.11K 1%	76-512-02
R203	1.74K 1%	76-172-02
R204	1.74K 1%	76-172-02
R205	10.0K 1%	76-103-02
R206	10.0K 1%	76-103-02
R207	15.4K 1%	76-153-02
R208	15.4K 1%	76-153-02
R209	1K	76-102-01
R210	2.2K	76-222-01
R211	82K	76-823-01
R212	150K	76-154-01
R213	2.2K	76-222-01
R214	2.2K	76-222-01
R215	1M	76-105-01
R216	270K	76-274-01
R217	1.5K	76-152-01
R218	68K	76-683-01
R219	68K	76-683-01
R220	68K	76-683-01
R221	68K	76-683-01
JW1-3	JUMPER	76-000-05
IC101	NE5532	37-532-01
IC102	TLD-72CP	37-072-01
IC103	TLD-72CP	37-072-01
P101	50KL VERT D SHAFT	70-503-81
P102	50KL VERT D SHAFT	70-503-81
P103	50KL VERT D SHAFT	70-503-81
P104	50KL VERT D SHAFT	70-503-81
P105	50KL VERT D SHAFT	70-503-81
P106	50KL VERT D SHAFT	70-503-81
P107	50KL VERT D SHAFT	70-503-81
P201	50KL VERT D SHAFT	70-503-81
P202	50KL VERT D SHAFT	70-503-81
P203	50KL VERT D SHAFT	70-503-81
P204	50KL VERT D SHAFT	70-503-81
P205	50KL VERT D SHAFT	70-503-81
P206	50KL VERT D SHAFT	70-503-81
P207	50KL VERT D SHAFT	70-503-81
J1	MFSS156-10-T HDR	17-310-10
J101	NC3F1P XLR FEM	39-319-02
J102	VERT TRS JACK W/LWF	39-114-05
J201	NC3F1P XLR FEM	39-319-02
J202	VERT TRS JACK W/LWF	39-114-05
Q101	MPSA13 NPN DARL.	96-013-01
Q201	MPSA13 NPN DARL.	96-013-01

MISC.

SCREW	6-32 x 3/8	30-638-53	1
STANDOFF	15/16"	85-133-01	1
PRINTED CIRCUIT BOARD		06A683-01	1

SIGNATURES:		DATE:		11880 BORMAN DR. ST. LOUIS, MISSOURI 63146	
DRAWN: S.RADER		01/12/93		PROJECT NAME:	
CHK'D:				PCM-8+	
APP'D:				DRAWING NAME:	
ORIGINAL ISSUED:		02/10/93		2 CHANNEL PICTORIAL	
PLOT DATE:		10/28/96		REV 1	
PLOT TIME:		15:35:17		DRAWING NO. 06P683-01	
FILE NAME:		68301p1_		SCALE: 1:1 SHEET: 1 OF 1	

3				
2				
1	10/28/96	REM		CHG'D 39-319-01 JACK TO -02 PER E 960158.
REV	DATE	BY	CHK'D	DESCRIPTION