

TEST POINT	WAVE FORM	VOLTAGE Vrms	VOLTAGE VDC
1	~	.5	—
2	~	.5	—
3	~	2.78	1.66
4	~	2.76	-1.78
5	~	1.15	24.1
6	~	1.2	-24.1
7	~	.925	24.6
8	~	1.0	-24.6
9	~	9.5	5M
10	~	.45	25.2
11	~	.45	-25.2
12	—	—	+16
13	—	—	-16

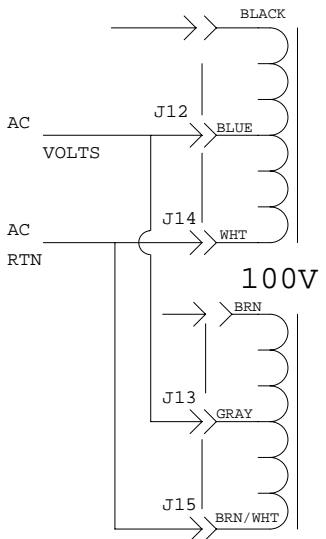
TEST POINT CONDITIONS:  
 1 KHZ SINEWAVE  
 .5Vrms INPUT AT  
 PIN 4 OF J1

BIAS ADJUSTMENT:  
 NO SIGNAL, NO LOAD  
 2mVDC ACROSS R22 & R30

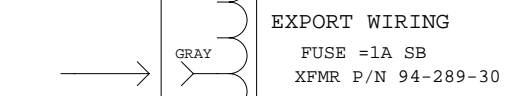
NOTES:

- 1) CAUTION: SHOCK HAZARD!! THIS UNIT CONTAINS HAZARDOUS VOLTAGE. DISCONNECT POWER AND BE SURE POWER SUPPLY IS DISCHARGED BEFORE TOUCHING INTERNAL PARTS.
- 2) UNLESS NOTED, RESISTOR VALUES IN OHMS, 1/4W-5% TOL. CAPACITOR VALUES IN MICROFARADS, 50V-10% TOL.
- 3) VOLTAGES ARE MEASURED WITH 1MEGOHM OSCILLOSCOPE AND 10 MEGOHM DIGITAL VOLTMETER.
- 4) CIRCUIT GROUND SWITCH GROUND CHASSIS GROUND

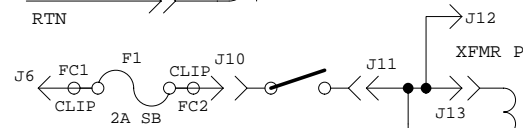
CAUTION:  
 THIS SCHEMATIC IS PROVIDED FOR USE BY QUALIFIED PERSONNEL. TO AVOID RISK OF ELECTRIC SHOCK, REFER SERVICING TO QUALIFIED SERVICE PERSONNEL. DO NOT PERFORM ANY SERVICING BEYOND THAT EXPLAINED IN THE OPERATING INSTRUCTIONS.



EXPORT WIRING  
 FUSE = 2A SB  
 XFMR P/N 94-289-30



EXPORT WIRING  
 FUSE = 1A SB  
 XFMR P/N 94-289-30



EXPORT WIRING  
 FUSE = 2A SB  
 XFMR P/N 94-289-30

SIGNATURES:	DATE:		11880 BORMAN DR.
DRAWN: REM	10/1/98		ST. LOUIS, MISSOURI 63146
CHK'D:		PROJECT NAME:	PA4a BOX MIXER
APP'D:		DRAWING NAME:	POWER AMP SCHEMATIC
ORIGINAL ISSUED:		REV 0_	DRAWING NO. 07S481-02
PLOT DATE:	10/1/98	SCALE: NONE	SHEET: 1 OF 1
PLOT TIME:			
FILE NAME:	48102C0_		