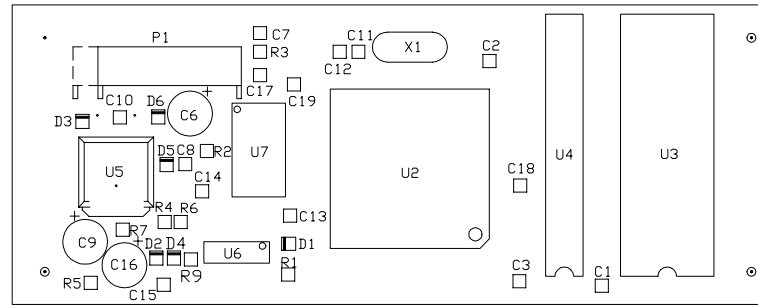


NOTES:

1. USE CRYSTAL INSULATOR BIVAR P/N CI-192-028 OR EQUIVALENT UNDER CRYSTAL X1.
2. PROGRAMMED EPROM NUMBERS REPRESENT CURRENT REV LEVELS. HIGHER REV LEVELS WILL RETROFIT UNLESS NOTED. (X) SUFFIX REPRESENTS REVISION LEVEL DESIGNATION.
3. D4 IS NOT USED ON -01, -02 AND -03.




REF DES	PART NO.	VALUE			
C1	10S104-11	.1uF	50V	20%	
C2	10S104-11	.1uF	50V	20%	
C3	10S104-11	.1uF	50V	20%	
C6	12R106-35	10uF	35V		
C7	10S104-01	.1uF	50V		
C8	10S104-01	.1uF	50V		
C9	12R106-35	10uF	35V		
C10	10S104-11	.1uF	50V	20%	
C11	10S330-02	33pF	50V		
C12	10S330-02	33pF	50V		
C13	10S104-11	.1uF	50V	20%	
C14	10S104-11	.1uF	50V	20%	
C15	10S222-02	.0022uF	50V	5%	
C16	12R106-35	10uF	35V		
C17	10S472-02	.0047uF	50V		
C18	10S104-11	.1uF	50V	20%	
C19	10S104-11	.1uF	50V	20%	
D1	21S914-01	1N914	100V/0.1A		
D2	21S914-01	1N914	100V/0.1A		
D3	21S914-01	1N914	100V/0.1A		
D4	SEE NOTE 3				
D5	21S914-01	1N914	100V/0.1A		
D6	21S914-01	1N914	100V/0.1A		
P1	SEE TABLE 2				
R1	76S104-01	100K			
R2	76S105-01	1M			
R3	76S102-01	1K			
R4	76S104-01	100K			
R5	76S104-01	100K			
R6	76S102-01	1K			
R7	76S104-01	100K			
R9	76S104-01	100K			
U2	37-804-81	ADSP2104			
U3	SEE TABLE 1				
U4	37-871-02	UM62256A			
U5	37S705-01	78M05			
U6	37S714-01	74HC14			
U7	37S733-11	AD73311			
X1	37-900-18	18.432MHz			
S3	17-460-28	SOCKET			
	06B811-01	PC BOARD			

TABLE 1 FIRMWARE NOTE 2

ASSEMBLY	UNPROGRAMMED EPROM	PROGRAMMED EPROM (U3)	NOTES
07B811-01	37-881-02	38-81101(X)	
07B811-02	37-881-02	38-81102(X)	
07B811-03	37-881-02	38-81103(X)	

TABLE 2

ASSEMBLY	CONNECTOR PART NO.	NOTES
07B811-01	17-193-07	
07B811-02	17-193-07	
07B811-03	17-103-07	

6				
5	1-27-99	RLB		P1 WAS 17-194-07 CHANGE PER ECO 990033
4	12-4-98	RLB		ADDED NOTE 3 PER ECO 980619
3	4-21-98	RLB	BN	ADDED 07B811-02 TO TABLE PER ECO 980305
2	01/09/98	MAG	K.C.	ADDED TABLE 1 & NOTE 2 PER ECO 980009.
1	12-2-97	RLB		37-804-81 WAS 37-804-80 CHANGE PER ECO 970772
REV	DATE	BY	CHK'D	DESCRIPTION
SIGNATURES:		DATE:		 11880 BORMAN DR. ST. LOUIS, MISSOURI 63146
DRAWN:	RLB	10-3-97		
CHK'D:	BCN	10/08/97		PROJECT NAME:
APP'D:	BCN	10/08/97		07B811-XX
ORIGINAL ISSUED:				DRAWING NAME:
PLOT DATE:		03/03/99		PICTORIAL
PLOT TIME:		09:32:37		DRAWING NO. 07P811-XX
FILE NAME:		81101P5_		REV 5_
SCALE: 1:1		SHEET: 1 OF 1		