

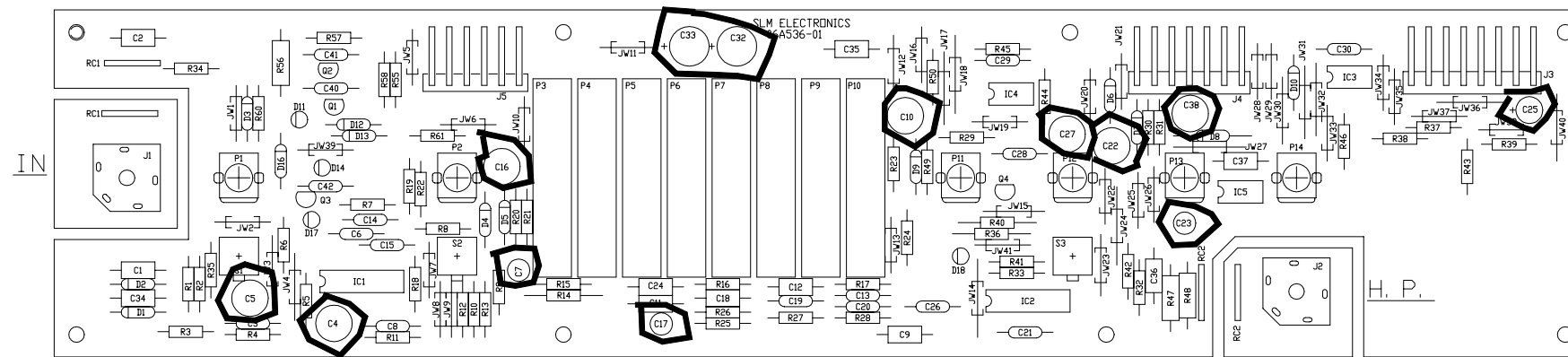
DESIGNATOR PART # DESCRIPTION

C1	10A392-01	.0039uF	100V
C2	10A473-11	.047uF	100V
C3	10A560-21	56pF	200V
C4	12R106-36	10uF	NP
C5	12R106-36	10uF	NP
C6	10A102-11	.001uF	100V
C7	12R105-51	1uF	NP
C8	10A471-11	470pF	100V
C9	10A103-11	.01uF	100V
C10	12R106-36	10uF	NP
C11	10A224-01	.22uF	50V
C12	10A473-11	.047uF	100V
C13	10A472-11	.0047uF	100V
C14	10A221-11	220pF	100V
C15	10A101-21	100pF	200V
C16	12R106-36	10uF	NP
C17	12R105-51	1uF	NP
C18	10A104-01	.1uF	50V
C19	10A103-11	.01uF	100V
C20	10A152-11	.0015uF	100V
C21	10A101-21	100pF	200V
C22	12R106-36	10uF	NP
C23	12R105-51	1uF	NP
C24	10A104-01	.1uF	50V
C25	12R106-35	10uF	NP
C26	10A471-11	470pF	100V
C27	12R106-36	10uF	NP
C28	10A471-11	470pF	100V
C29	10A471-11	470pF	100V
C30	10A471-11	470pF	100V
C31	NOT USED		
C32	12R476-35	47uF	35V
C33	12R476-35	47uF	35V
C34	10A104-01	.1uF	50V
C35	10A104-01	.1uF	50V
C36	10A104-01	.1uF	50V
C37	10A104-01	.1uF	50V
C38	12R106-36	10uF	NP
C40	10A102-11	.001uF	100V
C41	10A102-11	.001uF	100V
C42	10A102-11	.001uF	100V
C43	NOT USED		
C44	NOT USED		
C45	NOT USED		
D1	21A914-01	1N914	100V
D2	21A914-01	1N914	100V
D3	21A914-01	1N914	100V
D4	21A914-01	1N914	100V
D5	21A914-01	1N914	100V
D6	21A914-01	1N914	100V
D7	21A914-01	1N914	100V
D8	21A914-01	1N914	100V
D9	21A914-01	1N914	100V
D10	21A914-01	1N914	100V
D11	21-510-03	YELLOW	LED
D12	21A914-01	1N914	100V
D13	21A914-01	1N914	100V
D14	21-510-01	GREEN	LED
D16	21A914-01	1N914	100V
D17	21-510-02	RED	LED
D18	21-510-01	GREEN	LED
IC1	37-074-01	TL074	
IC2	37-074-01	TL074	
IC3	37-072-01	TL072	


IC4	37-532-01	NE5532	
IC5	37-532-01	NE5532	
IC6	NOT USED		
J1	39-114-04	114BPC	JACK
J2	39-114-04	114BPC	JACK
J3	17-311-08	156 HEADER 8 PIN RIGHT ANGLE	
J4	17-311-07	156 HEADER 7 PIN RIGHT ANGLE	
J5	17-311-06	156 HEADER 6 PIN RIGHT ANGLE	
P1	70-104-33	9mm_POT 100KRA	
P2	70-503-34	9mm_POT 50K	
P3	70-203-54	LINEAR	
P4	70-203-54	LINEAR	
P5	70-203-54	LINEAR	
P6	70-203-54	LINEAR	
P7	70-203-54	LINEAR	
P8	70-203-54	LINEAR	
P9	70-203-54	LINEAR	
P10	70-203-54	LINEAR	
P11	70-103-35	9mm_POT 10KA	
P12	70-103-35	9mm_POT 10KA	
P13	70-503-34	9mm_POT 50K	
P14	70-103-35	9mm_POT 10KA	
P15	NOT USED		
P16	NOT USED		
Q1	96-013-01	MPSA13	
Q2	96-013-01	MPSA13	
Q3	96-013-01	MPSA13	
Q4	96-013-01	MPSA13	
R1	76-683-01	68K	
R2	76-153-01	15K	
R3	76-105-01	1M	
R4	76-104-01	100K	
R5	76-472-01	4.7K	
R6	76-102-01	1K	
R7	76-222-01	2.2K	
R8	76-103-01	10K	
R9	76-102-01	1K	
R10	76-221-01	220	
R11	76-153-01	15K	
R12	76-153-01	15K	
R13	76-682-01	6.8K	
R14	76-471-01	470	
R15	76-222-01	2.2K	
R16	76-332-01	3.3K	
R17	76-682-01	6.8K	
R18	76-103-01	10K	
R19	76-103-01	10K	
R20	76-103-01	10K	
R21	76-471-01	470	
R22	76-471-01	470	
R23	76-103-01	10K	
R24	76-103-01	10K	
R25	76-222-01	2.2K	
R26	76-332-01	3.3K	
R27	76-682-01	6.8K	
R28	76-103-01	10K	
R29	76-471-01	470	
R30	76-222-01	2.2K	
R31	76-222-01	2.2K	
R32	76-105-01	1M	
R33	76-105-01	1M	
R34	76-105-01	1M	
R35	76-472-01	4.7K	

R36	76-272-01	2.7K	
R37	76-472-01	4.7K	
R38	76-103-01	10K	
R39	76-103-01	10K	
R40	76-103-01	10K	
R41	76-103-01	10K	
R42	76-102-01	1K	
R43	76-153-01	15K	
R44	76-103-01	10K	
R45	76-103-01	10K	
R46	76-472-01	4.7K	
R47	77-101-01	100	1/2W
R48	77-101-01	100	1/2W
R49	76-222-01	2.2K	
R50	76-182-01	1.8K	
R55	76-472-01	4.7K	
R56	77-152-01	1.5K	1/2W
R57	76-183-01	18K	
R58	76-103-01	10K	
R60	76-473-01	47K	
R61	76-123-01	12K	
R63	NOT USED		
R64	NOT USED		
R65	NOT USED		
R66	NOT USED		
R67	NOT USED		
R68	NOT USED		
R69	NOT USED		
R70	NOT USED		
RC1	99-134-01	4_PIN 2 INCH FLAT RIBBON	
RC2	99-134-01	4_PIN 2 INCH FLAT RIBBON	
S1	88-907-01	DPDT SWITCH	
S2	88-907-01	DPDT SWITCH	
S3	88-907-01	DPDT SWITCH	
JW1-JW41	76-000-05	JUMPER	
JW42-JW44	NOT USED		
	06A536-01	P. C. BOARD	

SIGNATURES:	DATE:	11880 BORMAN DR. ST. LOUIS, MISSOURI 63146	
DRAWN: D.MORRISON	04/26/96	PROJECT NAME: BX-220H / BX-2115	
CHK'D: RGK	04/26/96	DRAWING NAME: PREAMP PICTORIAL	
APP'D: RGK	04/26/96	DRAWING NO. 07P536-03 REV 0	
ORIGINAL ISSUED:	04/26/96	SCALE: 1:1 SHEET: 1 OF 2	
PLOT DATE:	05/01/96		
PLOT TIME:	09:35:05		
FILE NAME:	53603PO_		



GOOD PARTS SHOWN PER STANDARD GOOD PRACTICE

SIGNATURES:		DATE:				11880 BORMAN DR.	
DRAWN: D.MORRISON		04/26/96				ST. LOUIS, MISSOURI	
CHK'D: RGK		04/26/96		PROJECT NAME:		63146	
APP'D: RGK		04/26/96		BX-220H / BX-2115			
ORIGINAL ISSUED:		04/26/96		DRAWING NAME:			
PLOT DATE:		05/01/96		PREAMP PICTORIAL			
PLOT TIME:		09:35:05		DRAWING NO.		07P536-03	
FILE NAME:		53603PO_		SCALE: 1:1		REV 0	
				SHEET:		2 OF 2	