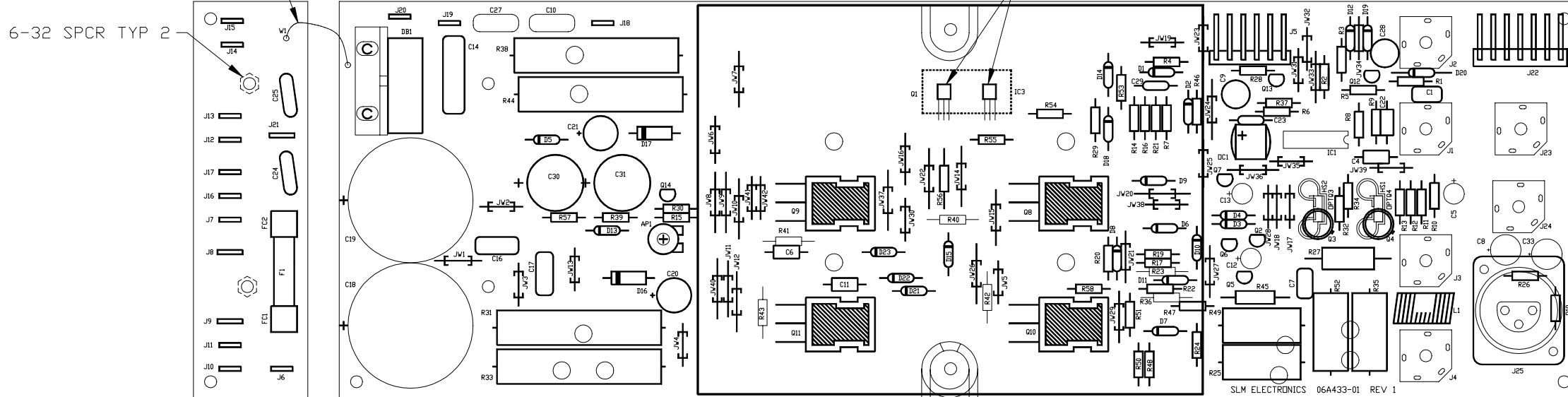


97-167-07 4" 18 GA. GREEN GND WIRE FLAT SIDE UP



SLM ELECTRONICS 06A433-01 REV 1

DESIGNATOR	PART #	DESCRIPTION	DESIGNATOR	PART #	DESCRIPTION	DESIGNATOR	PART #	DESCRIPTION	DESIGNATOR	PART #	DESCRIPTION
AP1	71-501-02	500 TRIM-POT	DB1	21-207-01	25AMP BRIDGE DIODE	R1	76-823-01	82K	R44	78-621-10	620 10W
C1	10R104-03	.1uF 100V	FC1	23-926-02	FUSE CLIP	R2	76-221-01	220	R45	78-033-01	3.3 1W
C2	NOT USED		FC2	23-926-02	FUSE CLIP	R3	76-102-01	1K	R46	76-332-01	3.3K
C3	NOT USED		F1	23-550-05	5A SB FUSE	R4	76-102-01	1K	R47	76-331-01	330
C4	10A104-01	.1uF 50V	IC1	37-074-01	TL074	R5	76-102-01	1K	R48	76-472-01	4.7K
C5	12R225-50	2.2uF 50V	IC3	37-350-01	LM-35	R6	76-473-01	47K	R49	78-330-05	0.33 5W
C6	10A681-21	680pF 200V	J1	39-114-04	1/4" TRS JACK	R7	76-333-01	33K	R50	76-472-01	4.7K
C7	10R104-03	.1uF 100V	J2	39-114-04	1/4" TRS JACK	R8	76-473-01	47K	R51	76-331-01	330
C8	12R476-62	47uF 63V	J3	39-114-04	1/4" TRS JACK	R9	76-333-01	33K	R52	78-330-05	0.33 5W
C9	12R106-36	10uF NON POLAR 35V	J4	39-114-04	1/4" TRS JACK	R10	76-393-01	39K	R53	76-102-01	1K
C10	10F154-02	.15uF 100V	J5	17-311-06	.156 R/A-HDR	R11	76-103-01	10K	R54	76-473-01	47K
C11	10A681-21	680pF 200V	J6	17-836-01	.250 TAB	R12	76-683-01	68K	R55	76-471-01	470
C12	12R225-50	2.2uF 50V	J7	17-836-01	.250 TAB	R13	76-103-01	10K	R56	76-101-01	100
C13	12R225-50	2.2uF 50V	J8	17-836-01	.250 TAB	R14	76-683-01	68K	R57	76-473-01	47K
C14	10-684-21	.68uF 250V	J9	17-836-01	.250 TAB	R15	76-101-01	100	R58	76-331-01	330
C15	NOT USED		J10	17-836-01	.250 TAB	R16	76-272-01	2.7K	W1	97-167-07	18 GA. GREEN GND WIRE
C16	10F224-03	.22uF 100V	J11	17-836-01	.250 TAB	R17	76-681-01	680			
C17	10F224-03	.22uF 100V	J12	17-836-01	.250 TAB	R18	76-331-01	330			
C18	12-478-80	4700uF 80V	J13	17-836-01	.250 TAB	R19	76-823-01	82K			
C19	12-478-80	4700uF 80V	J14	17-836-01	.250 TAB	R20	76-823-01	82K			
C20	12R107-32	100uF 35V	J15	17-836-01	.250 TAB	R21	76-272-01	2.7K			
C21	12R107-32	100uF 35V	J16	17-836-01	.250 TAB	R22	76-681-01	680			
C22	10A104-01	.1uF 50V	J17	17-836-01	.250 TAB	R23	77-470-03	47 1/2W			
C23	10A101-21	100pF 200V	J18	17-836-01	.250 TAB	R24	76-331-01	330			
C24	10-332-01	.0033uF UL/VDE 250V	J19	17-836-01	.250 TAB	R25	78-330-05	0.33 5W			
C25	10-332-01	.0033uF UL/VDE 250V	J20	17-836-01	.250 TAB	R26	76-331-01	330			
C26	NOT USED		J21	17-836-01	.250 TAB	R27	78-100-01	10 2W			
C27	10F154-02	.15uF 100V	J22	17-311-07	.156 R/A-HDR	R28	76-473-01	47K			
C28	12R106-36	10uF NON POLAR 35V	J23	39-114-04	1/4" TRS JACK	R29	76-472-01	4.7K			
C29	10A560-21	56pF 200V	J24	39-114-04	1/4" TRS JACK	R30	76-681-01	680			
C30	12-337-03	330uF 100V	J25	39-305-01	MALE XLR	R31	78-621-10	620 10W			
C31	12-337-03	330uF 100V	L1	94-141-01	.5uH VACTROL	R32	76-472-01	4.7K			
C32	NOT USED		OC1	66-100-01	VTL5C7	R33	78-621-10	620 10W			
C33	12R476-62	47uF 63V	Q1	96-006-01	MPSA06	R34	76-472-01	4.7K			
D1	21A914-01	1N914 100V	Q2	96R006-01	MPSA06	R35	78-330-05	0.33 5W			
D2	21A914-01	1N914 100V	Q3	96-515-01	2N5415	R36	77-470-03	47 1/2W			
D3	21A370-01	1N3070 200V	Q4	96-340-01	2N3440	R37	76-224-01	220K			
D4	21A370-01	1N3070 200V	Q5	96R056-01	MPSA56	R38	78-621-10	620 10W			
D5	21A402-01	1N4002 100V	Q6	96R006-01	MPSA06	R39	76-473-01	47K			
D6	21A914-01	1N914 100V	Q7	96R056-01	MPSA56	R40	77-470-03	47 1/2W			
D7	21A370-01	1N3070 200V	Q8	96-014-02	IRFP240	R41	77-470-03	47 1/2W			
D8	21A370-01	1N3070 200V	Q9	96-014-02	IRFP240	R42	77-470-03	47 1/2W			
D9	21A914-01	1N914 100V	Q10	96-914-02	IRFP9240	R43	77-470-03	47 1/2W			
D10	21A370-01	1N3070 200V	Q11	96-914-02	IRFP9240	JW1-42	76-000-XX				
D11	21A370-01	1N3070 200V	Q12	96R112-01	J12						
D12	21A914-01	1N914 100V	Q13	96R013-01	MPSA13						
D13	21A402-01	1N4002 100V	Q14	96R006-01	MPSA06						
D14	21A914-01	1N914 100V									
D15	21A443-01	1N4743A 13V/1W									
D16	21-553-01	1N5353 16V/5W									
D17	21-553-01	1N5353 16V/5W									
D18	21A914-01	1N914 100V									
D19	21A914-01	1N914 100V									
D20	21A914-01	1N914 100V									
D21	21A443-01	1N4743A 13V/1W									
D22	21A443-01	1N4743A 13V/1W									
D23	21A443-01	1N4743A 13V/1W									

SEE SYSTEM BDM FOR JUMPER WIRE 76-000-XX

PART #	HARDWARE DESCRIPTION	QTY
30-440-52	3/8" 4-40 SCREW	2
30-442-52	4-40 KEPS NUT	2
30-638-53	3/8" 6-32 SCREW	4
30-638-75	3/4" 6-32 SCREW	1
30-834-01	8-32 NUT	4
33-118-03	HEATSINK	1
33-601-01	TD-39 HEATSINK	2
35-080-11	5/16" SLEEVING	2
35-570-01	INSULATOR	4
51-223-01	HTSNK MTG BRKT	1
51-301-01	RECTIFIER BRKT	1
81-206-51	SILICON PAD	2
85-116-01	11/16" 6-32 SPCR	1
06A433-01	PC BOARD	1

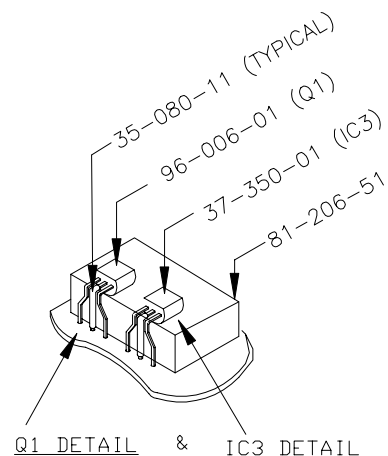
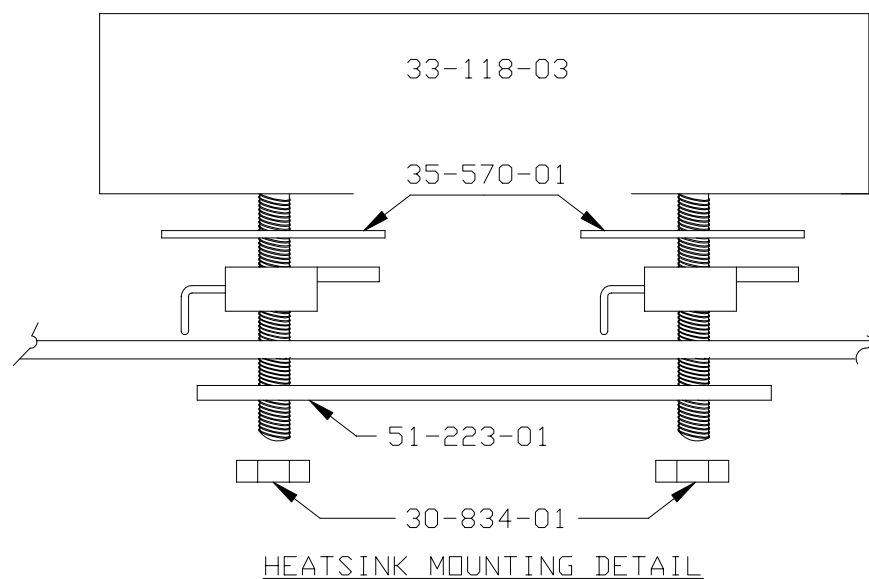
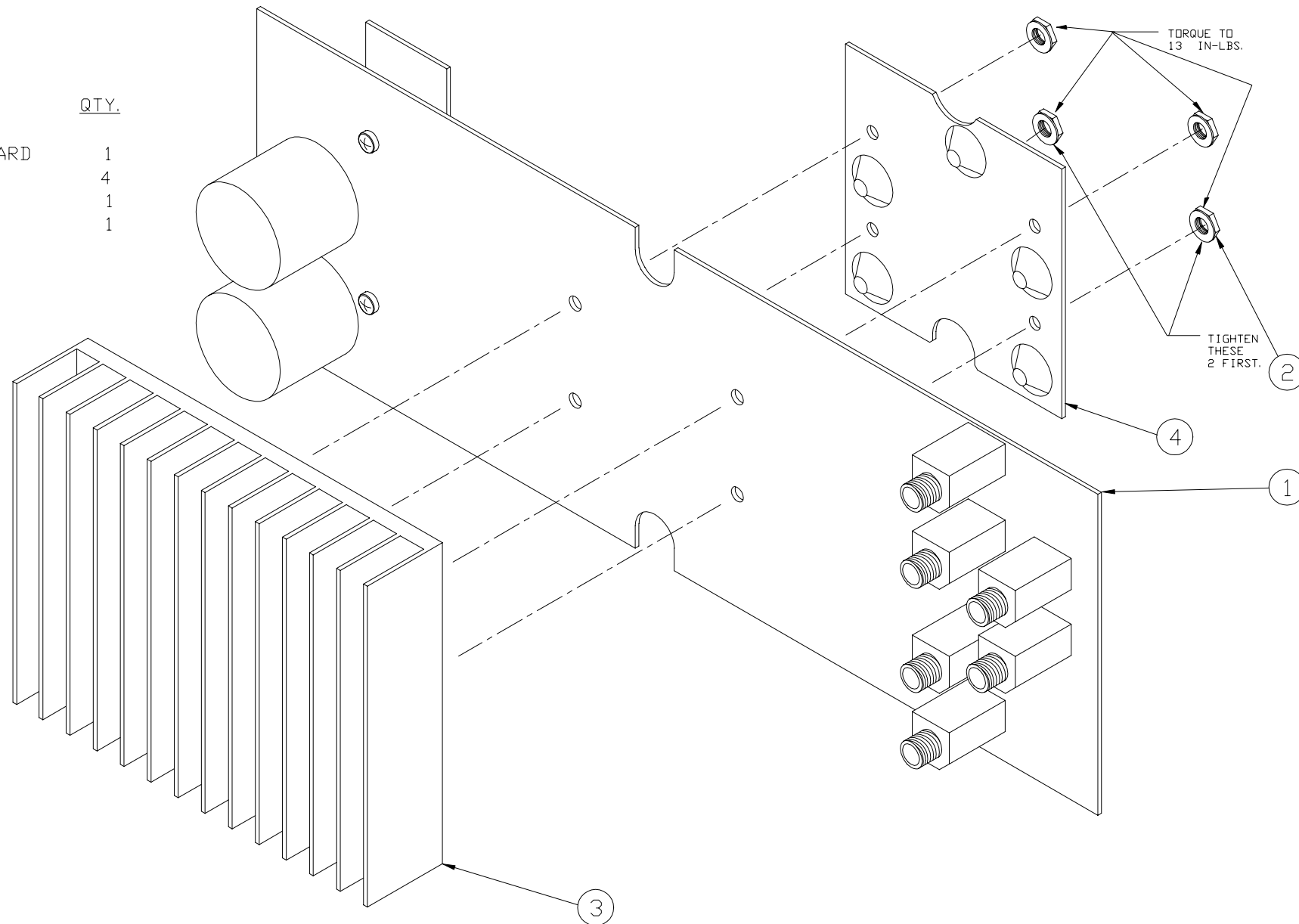
NOTES
 1) CAUTION: SHOCK HAZARD! THIS UNIT CONTAINS HAZARDOUS VOLTAGE. DISCONNECT POWER AND BE SURE POWER SUPPLY IS DISCHARGED BEFORE TOUCHING INTERNAL PARTS.
 2) UNLESS NOTED, RESISTOR VALUES IN OHMS, 1/4W-5% TOL. CAPACITOR VALUES IN MICROFARADS, 50V-10% TOL.

REV	DATE	BY	CHK'D	DESCRIPTION
5	11/18/97	SWR		CHANGED C10, C16, C17, & C27. FROM RADIAL PARTS TO FORMED PARTS. PER ECO #970739.
4	02/19/97	MAG		CHG'D TO 23-926-02 FUSE CLIPS AND NEW FUSES PER ECO 970062.
2W	07/06/95	REM		J8, J9, J21 TO .250" TABS PER ECO 950158.
2X	5/26/95	REM		ART TO REV 2. CHANGED C1, 7, 10, 16, 17, 27 FROM '10-' TO '10R' PER E950613.
1Y	04/06/95	JCJ		REDESIGN PER ECO# E0613
3	9/12/95	REM		R4, R7 VALUE PER E950273


REV	DATE	BY	CHK'D	DESCRIPTION
8				
7				
6	5/7/98	REM		CAPS & TRANS TO 'R' PART # PER ECO970585 & 980013.

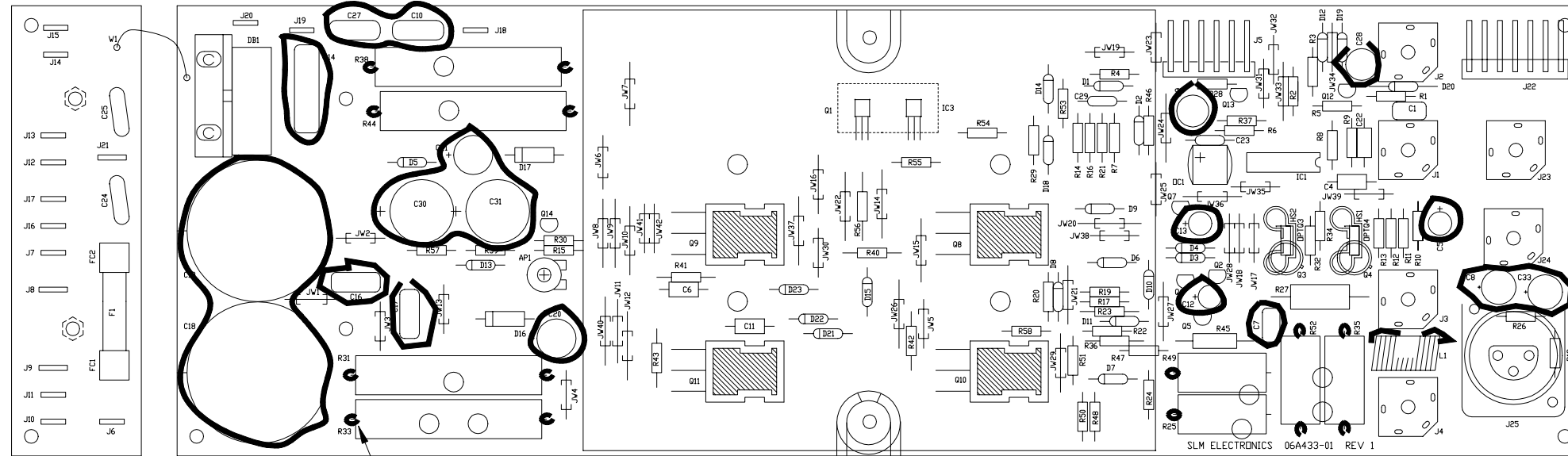
SIGNATURES:	DATE:	
DRAWN: REM	12/21/94	11880 BORMAN DR. ST. LOUIS, MISSOURI 63146
CHK'D: DAP	1/2/95	PROJECT NAME: BX-220H BASS AMP
APP'D: DAP	1/2/95	DRAWING NAME: POWER AMP PICTORIAL
ORIGINAL ISSUED:	12/21/94	DRAWING NO. 07P433-01 REV. 6
PLOT DATE:	07/28/98	SCALE: 1:1 SHEET: 1 OF 3
PLOT TIME:	12:51:59	
FILE NAME:	43301p6_	

ITEM	P/N	DESCRIPTION	QTY.
1	07-433-01	POWER AMP PRINTED CIRCUIT BOARD	1
2	30-834-01	8-32 HEX KEPSNUTS	4
3	33-118-03	HEATSINK WITH STUDS	1
4	51-223-01	HEATSINK MOUNTING PLATE	1



SEE SHEET 1 OF 3 FOR REVISION HISTORY


SIGNATURES:	DATE:	 11880 BORMAN DR. ST. LOUIS, MISSOURI 63146	
DRAWN: REM	12/21/94		
CHK'D: DAP	1/2/95	PROJECT NAME:	
APP'D: DAP	1/2/95	BX-220H BASS AMP	
ORIGINAL ISSUED:	12/21/94	DRAWING NAME:	
PLOT DATE:	07/28/98	POWER AMP PICTORIAL	
PLOT TIME:	12:51:59	DRAWING NO. 07P433-01	REV. 6_
FILE NAME:	43301p6_	SCALE: 1:1	SHEET: 2 OF 3



NOTE: INDICATES
5W & 10W RESISTOR
LEADS ONLY TO BE
GOOPED ! 14 PLACES

GOOP PARTS INDICATED PER
STANDARD GOOP PRACTICE

SEE SHEET 1 IF 3 FOR REVISION HISTORY

SIGNATURES:		DATE:	 11880 BORMAN DR. ST. LOUIS, MISSOURI 63146
DRAWN:	REM	12/21/94	
CHK'D:	DAP	1/2/95	PROJECT NAME:
APP'D:	DAP	1/2/95	BX-220H BASS AMP
ORIGINAL ISSUED:	12/21/94	DRAWING NAME:	
PLOT DATE:	07/28/98	POWER AMP GOOP PARTS	
PLOT TIME:	12:51:59	DRAWING NO.	REV. 6__
FILE NAME:	43301p6_	SCALE: 1:1	SHEET: 3 OF 3