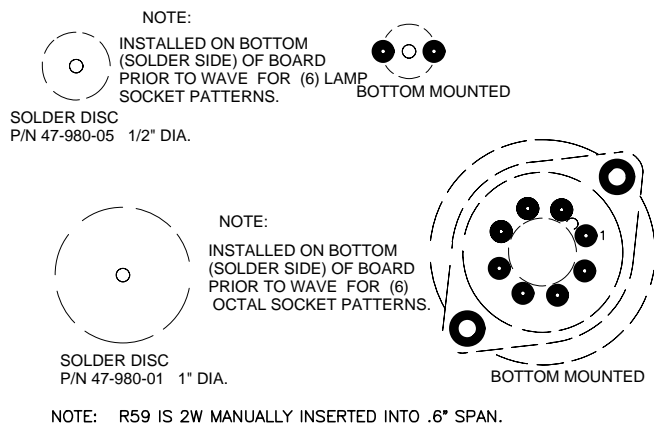


PWA ASSY PART # 07-110-01

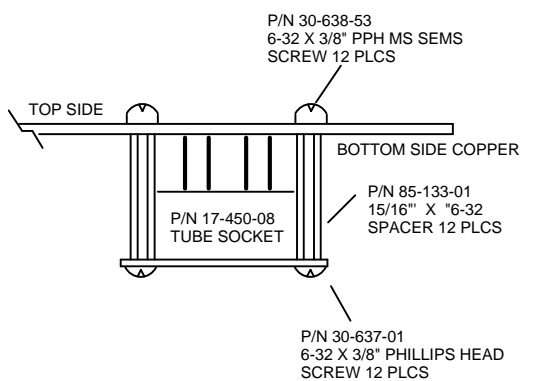


NOTE: R59 IS 2W MANUALLY INSERTED INTO .6" SPAN.

FOR ASSEMBLY P/N: 07-110-01
USE SCHEMATIC # 07-110-XX

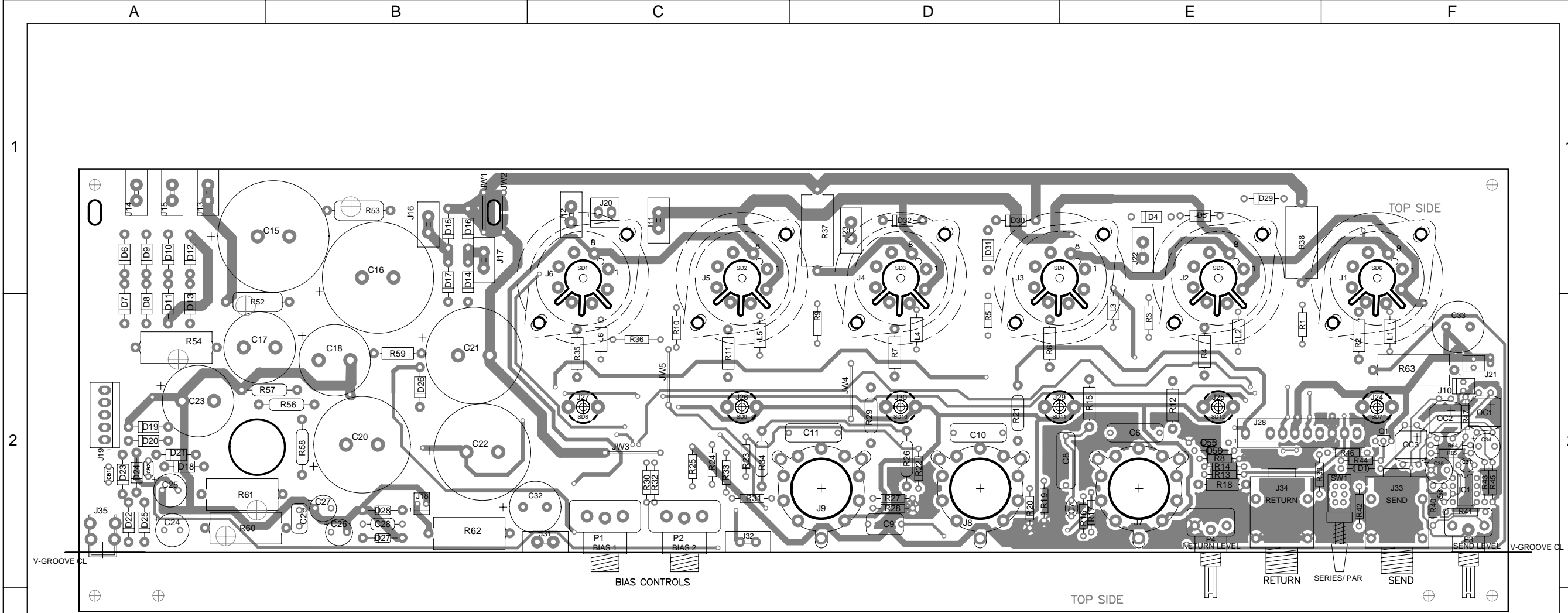
NOTES:
1. GOOP IN ACCORDANCE WITH PRODUCTION S.O.P.

CAUTION:
THIS ASSEMBLY DRAWING IS PROVIDED FOR USE BY QUALIFIED PERSONNEL.
TO AVOID RISK OF ELECTRIC SHOCK, REFER SERVICING TO QUALIFIED SERVICE PERSONNEL.
DO NOT PERFORM ANY SERVICING BEYOND THAT EXPLAINED IN THE OPERATING INSTRUCTIONS.

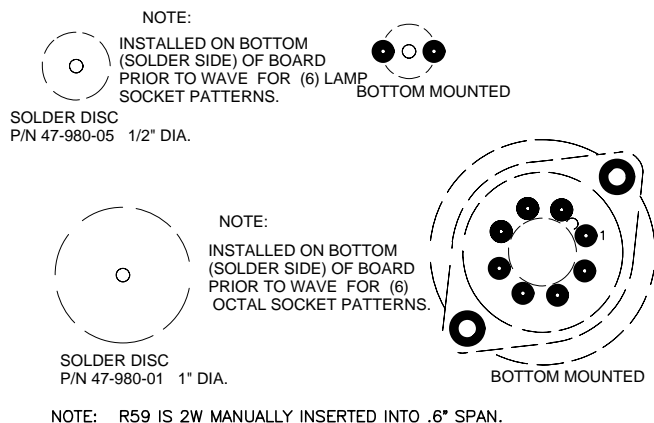


REV	Date	DESCRIPTION	Ecr(s)/Ech(s)	Chgd By	Appvd by	Date
0	5/16/02	CONTROL ISSUE				

THE INFORMATION CONTAINED ON THIS DRAWING IS PROPRIETARY TO ST. LOUIS MUSIC, INC.			
Signatures:	Date:	 11880 Borman Drive, St. Louis, MO 63146	
Drawn: REM	2/12/02		
Checked:			
Released:			
Plot Date: Wed May 29, 2002	Drawing Size: C	First Used On: BV300Ha	
Plot Time: 13:39:03	Drawing Type: ASSEMBLY	Drawing Title: PWA - 300W TUBE PWR AMP	
Tolerance:	Class Code: NONE	Drawing Number: 07-110-XX	
Sheet 2 of 2			



PWA ASSY PART # 07-110-01



NOTE:
 INSTALLED ON BOTTOM (SOLDER SIDE) OF BOARD PRIOR TO WAVE FOR (6) LAMP SOCKET PATTERNS.
 SOLDER DISC P/N 47-980-05 1/2" DIA.
 BOTTOM MOUNTED

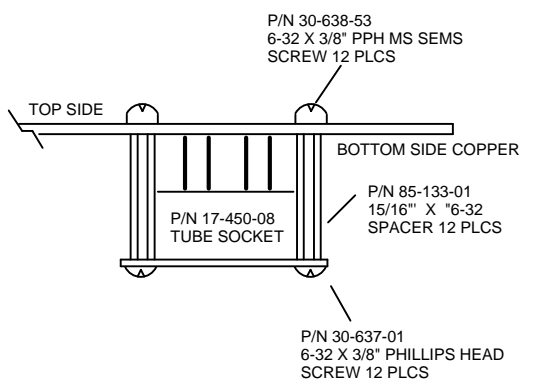
NOTE:
 INSTALLED ON BOTTOM (SOLDER SIDE) OF BOARD PRIOR TO WAVE FOR (6) OCTAL SOCKET PATTERNS.
 SOLDER DISC P/N 47-980-01 1" DIA.
 BOTTOM MOUNTED

NOTE: R59 IS 2W MANUALLY INSERTED INTO .6" SPAN.

FOR ASSEMBLY P/N: 07-110-01
 USE SCHEMATIC # 07-110-XX

NOTES:
 1. GOOP IN ACCORDANCE WITH PRODUCTION S.O.P.

CAUTION:
 THIS ASSEMBLY DRAWING IS PROVIDED FOR USE BY QUALIFIED PERSONNEL. TO AVOID RISK OF ELECTRIC SHOCK, REFER SERVICING TO QUALIFIED SERVICE PERSONNEL. DO NOT PERFORM ANY SERVICING BEYOND THAT EXPLAINED IN THE OPERATING INSTRUCTIONS.



REV	Date	DESCRIPTION	Ecr(s)/Ecn(s)	Chgd By	Appvd by	Date
0	5/16/02	CONTROL ISSUE				

THE INFORMATION CONTAINED ON THIS DRAWING IS PROPRIETARY TO ST. LOUIS MUSIC, INC.			
Signatures:		Date:	
Drawn: REM		2/12/02	
Checked:			
Released:			
Plot Date: Wed May 29, 2002	Drawing Size: C	First Used On: BV300Ha	
Plot Time: 13:39:06	Drawing Type: ASSEMBLY	Drawing Title: PWA - 300W TUBE PWR AMP	
Tolerance:	Class Code: NONE	Drawing Number: 07-110-XX	
Sheet 1 of 2			