


FOR ASSEMBLY P/N: 07-480-01
 USE SCHEMATIC # 07S480-01

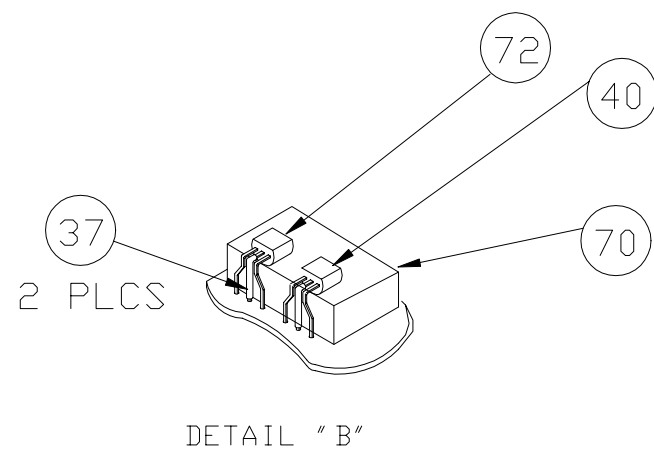
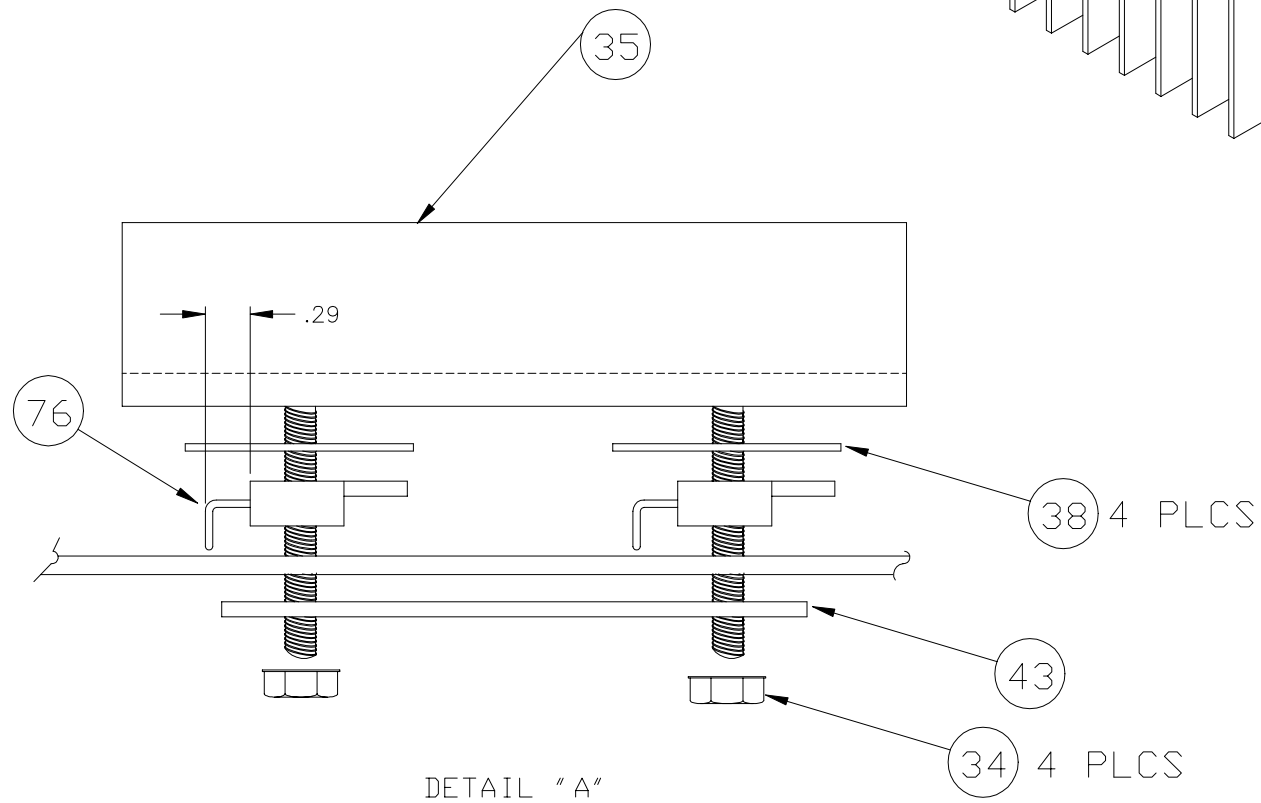
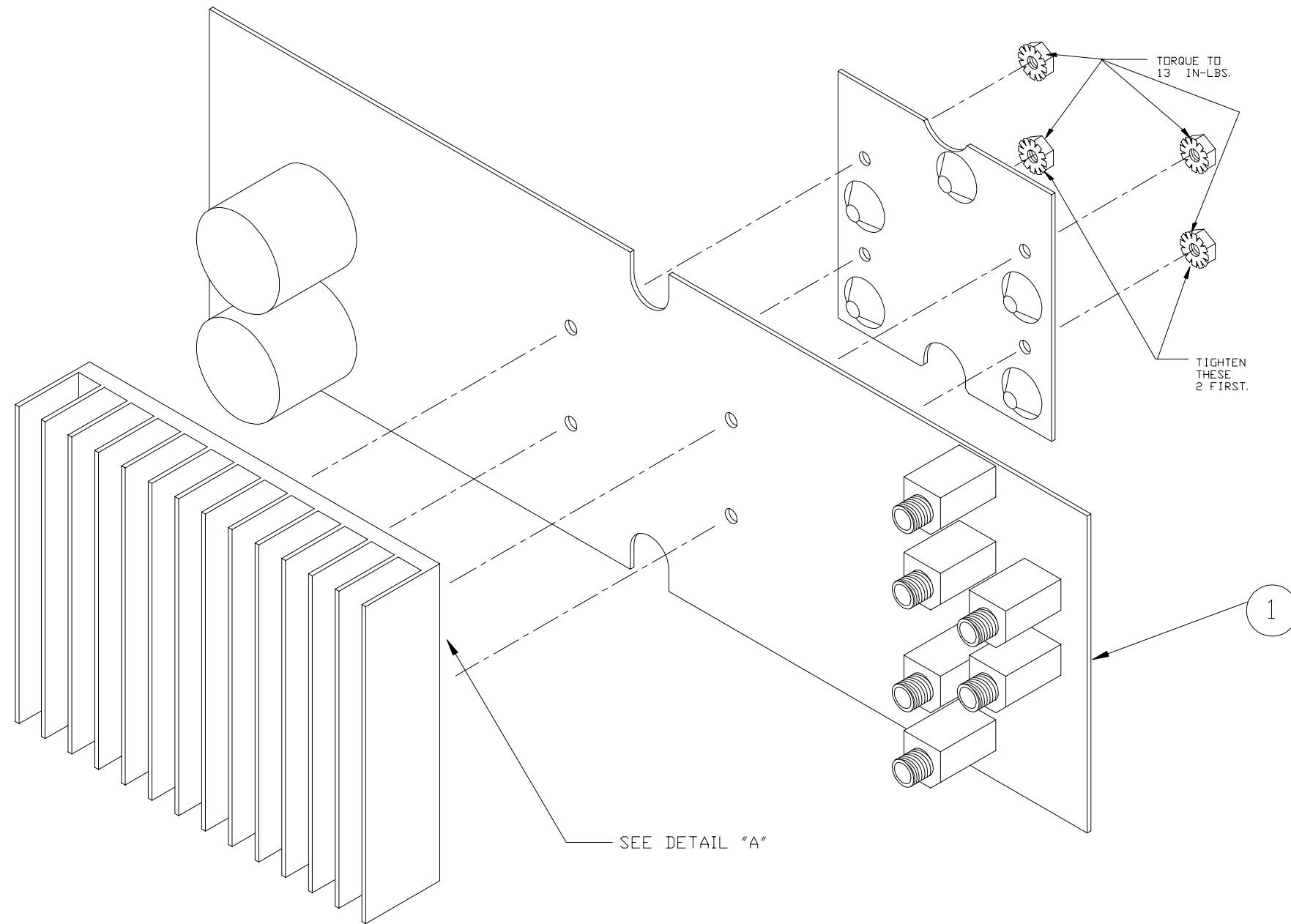
NOTES:
 1. GOOP IN ACCORDANCE WITH PRODUCTION S.O.P.

CAUTION:
 THIS ASSEMBLY DRAWING IS PROVIDED FOR USE BY QUALIFIED PERSONNEL.
 TO AVOID RISK OF ELECTRIC SHOCK, REFER SERVICING TO QUALIFIED SERVICE PERSONNEL.
 DO NOT PERFORM ANY SERVICING BEYOND THAT EXPLAINED IN THE OPERATING INSTRUCTIONS.

REV	Date	DESCRIPTION	Ecr(s)/Ecn(s)	Chgd By	Appvd by	Date
A	8-15-01	INITIAL ISSUE				
THE INFORMATION CONTAINED ON THIS DRAWING IS PROPRIETARY TO ST. LOUIS MUSIC, INC.						
Signatures:		Date:		 11880 Borman Drive, St. Louis, MO 63146		
Drawn: RLB		4-30-01				
Checked:				First Used On:		
Released:				BFX220Ha		
Plot Date: Fri Sep 14, 2001		Drawing Size: C		Drawing Title: BASS AMP		
Plot Time: 09:35:04		Drawing Type: ASSEMBLY		Drawing Number: 07-480-XX		
Tolerance:		Class Code: NONE		Sheet 1 of 2		

NOTES:

- SEE SEPARATE PARTS LIST FOR PART NO. DESCRIPTION



A	08/24/01	INITIAL ISSUE				
REV:	DATE:	DESCRIPTION	ECR/ECN NO:	CHNG'D BY:	APPR'D BY:	DATE:
THE INFORMATION CONTAINED ON THIS DRAWING IS PROPRIETARY TO ST. LOUIS MUSIC, INC.						
SIGNATURES:		DATE:		11880 Borman Dr. St. Louis, Missouri 63146		
DRAWN:	JRC	08/24/01		FIRST USED ON:		
CHK'D:				BFX220Ha		
RLS'D:				DRAWING TITLE:		
TOLERANCES:		DRAWING SIZE: C		BASS AMP		
		DRAWING TYPE: A		DRAWING NO.:		
		CLASS CODE:		07-480-XX		
		SCALE: NA		SHEET: 2 OF 2		