


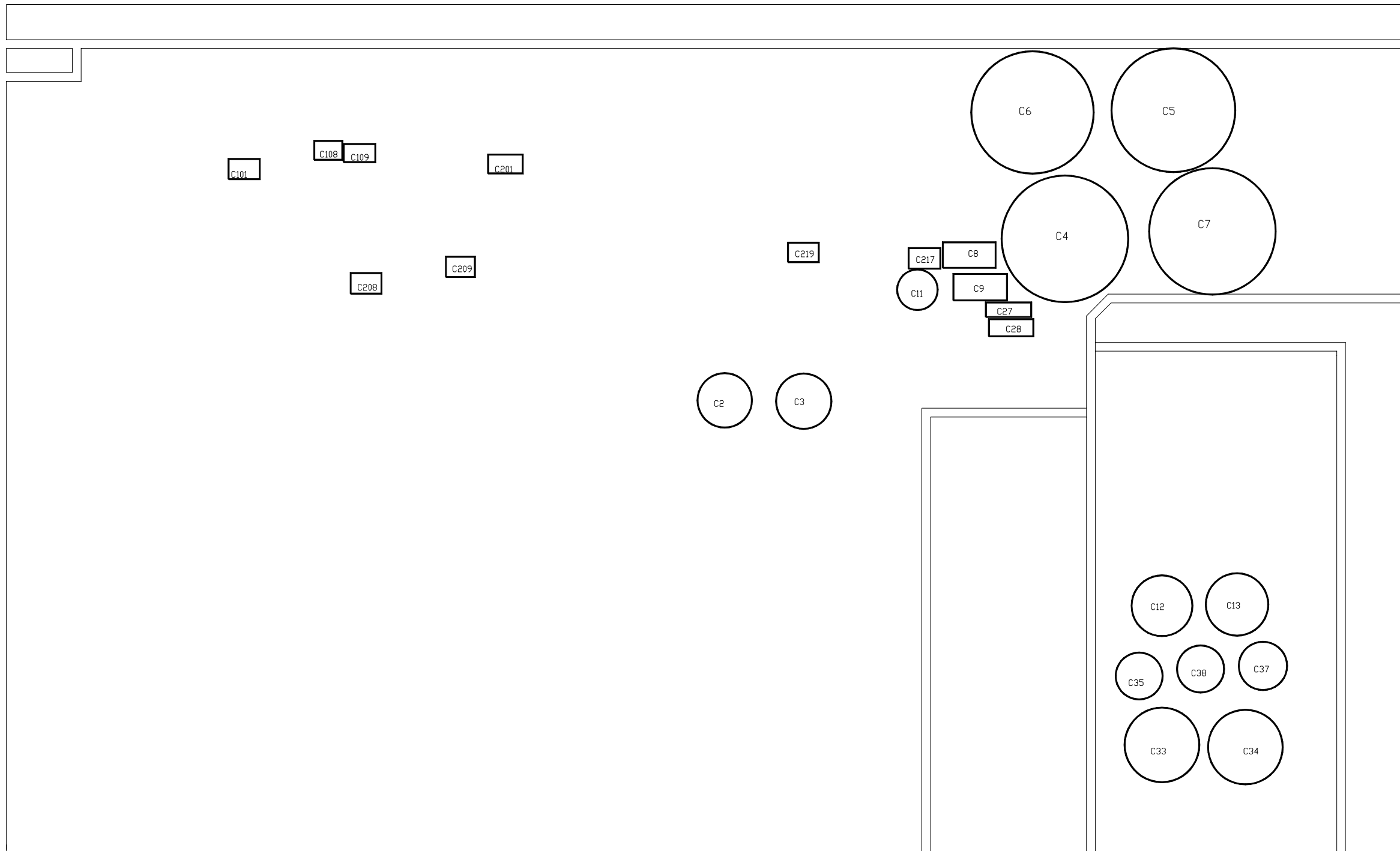
9	11/07/00	CHG'D CAP HD SCREW -01 TO -02 ON -02 VERSION	N00412	REM		
8	2/23/00	CHANGE HEATSINK QTY	N00237	MEZ		
7	3-31-99	CHG'D JACK TO 39-116-01	990065	REM		
6	12-17-97	UPDATE TO AGREE WITH SCHEMATIC	970827	REM		
5	11-17-97	CHG'D C8 AND C9 TO FORMED LEADS	970738	SWR		
4	10-10-97	RADIAL CONVERSION	970586	MAG		
3	1-27-97	CHG'D W1 AND W2	970032	REM		
2	10-26-96	CHG'D VALUE OF R169 AND R270	960466	REM		
1	10-8-96	CHG'D VALUE OF R27 AND R31	960432	REM		
REV:	DATE:	DESCRIPTION	ECR/ECN NO:	CHNG'D BY:	APPR'D BY:	DATE:

THE INFORMATION CONTAINED ON THIS DRAWING IS PROPRIETARY TO ST. LOUIS MUSIC, INC.

SIGNATURES:	DATE:	 11880 Borman Dr. St. Louis, Missouri 63146
DRAWN: REM	7-1-96	
CHK'D:		FIRST USED ON:
RLS'D:		SVT-4PRO PWR AMP
TOLERANCES:	DRAWING SIZE: D	DRAWING TITLE:
	DRAWING TYPE:	PICTORIAL
	CLASS CODE:	DRAWING NO:
	SCALE: 1:1	SHEET: 1 OF 4
		07P428-XX

REF DES	PART #	DESCRIPTION	REF DES	PART #	DESCRIPTION	REF DES	PART #	DESCRIPTION	REF DES	PART #	DESCRIPTION	REF DES	PART #	DESCRIPTION
AP101	71-501-02	500 OHM TRIMPOT	D20	21A402-01	1N4002 100V	K101	82-090-01	RELAY	R27	76-103-01	10K	R201	76-102-01	1K
AP201	71-501-02	500 OHM TRIMPOT	D21	21A402-01	1N4002 100V	K201	82-090-01	RELAY	R28	76-223-01	22K	R202	76-105-01	1M
C1	10A104-01	.1uF 50V	D22	21A402-01	1N4002 100V	L101	94-141-01	.5uH	R29	76-103-01	10K	R203	76-153-01	15K
C2	12-337-03	330uF 100V	D23	21A914-01	1N914 100V	L201	94-141-01	.5uH	R30	76-102-01	1K	R204	76-333-01	33K
C3	12-337-03	330uF 100V	D24	21A914-01	1N914 100V	DC101	66-100-01	VTL5C7 OPTO	R31	76-153-01	15K	R205	76-172-02	1.74K 1% 1/4W
C4	12-828-10	8200uF 100V	D25	21A407-01	1N4007 1000V	DC201	66-100-01	VTL5C7 OPTO	R32	76-105-01	1M	R206	76-152-01	1.5K
C5	12-828-10	8200uF 100V	D26	21A407-01	1N4007 1000V	Q1	96-125-01	TIP-125	R33	78-202-01	2K 2W	R207	76-102-01	1K
C6	12-828-10	8200uF 100V	D27	21A407-01	1N4007 1000V	Q101	96-176-01	J176	R34	78-202-01	2K 2W	R208	76-223-01	22K
C7	12-828-10	8200uF 100V	D28	21A407-01	1N4007 1000V	Q102	96-035-01	MJE350 TO-225	R35	77-473-01	47K 1/2W	R209	76-101-01	100
C8	10F224-03	.22uF 100V	D101	21A914-01	1N914 100V	Q103	96-034-01	MJE340 TO-225	R36	77-473-01	47K 1/2W	R210	76-473-02	47.5K 1% 1/4W
C9	10F224-03	.22uF 100V	D102	21A914-01	1N914 100V	Q104	96-035-01	MJE350 TO-225	R101	76-102-01	1K	R211	76-102-01	1K
C10	10A104-01	.1uF 50V	D103	21A914-01	1N914 100V	Q105	96-034-01	MJE340 TO-225	R102	76-105-01	1M	R212	76-223-01	22K
C11	12-227-32	220uF 35V	D104	21A914-01	1N914 100V	Q106	96-035-01	MJE350 TO-225	R103	76-153-01	15K	R213	76-153-01	15K
C12	12-228-32	220uF 35V	D105	21A914-01	1N914 100V	Q107	96-034-01	MJE340 TO-225	R104	76-333-01	33K	R214	76-222-01	2.2K
C13	12-228-32	220uF 35V	D106	21A370-01	1N3070 200V	Q108	96R006-01	MPSA06	R105	76-172-02	1.74K 1% 1/4W	R215	76-223-01	22K
C14	10A104-01	.1uF 50V	D107	21A370-01	1N3070 200V	Q109	96R006-01	MPSA06	R106	76-152-01	1.5K	R216	76-272-01	2.7K
C15	10A104-01	.1uF 50V	D108	21A370-01	1N3070 200V	Q110	96-014-02	IRFP240	R107	76-102-01	1K	R217	76-222-01	2.2K
C16	12R105-51	1uF 50V NP	D109	21A370-01	1N3070 200V	Q111	96-914-02	IRFP9240	R108	76-223-01	22K	R218	76-102-01	1K
C17	12R476-35	47uF 35V	D110	21A914-01	1N914 100V	Q112	96-014-02	IRFP240	R109	76-101-01	100	R219	77-470-03	47 1/2W
C18	12R476-35	47uF 35V	D111	21A370-01	1N3070 200V	Q113	96-914-02	IRFP9240	R110	76-473-02	47.5K 1% 1/4W	R220	76-272-01	2.7K
C19	10A104-01	.1uF 50V	D112	21A370-01	1N3070 200V	Q114	96-014-02	IRFP240	R111	76-102-01	1K	R221	76-272-01	2.7K
C20	10A104-01	.1uF 50V	D113	21A914-01	1N914 100V	Q115	96-914-02	IRFP9240	R112	76-223-01	22K	R222	76-472-01	4.7K
C21	10A104-01	.1uF 50V	D114	21A440-01	1N4740A 10V	Q116	96-014-02	IRFP240	R113	76-153-01	15K	R223	76-472-01	4.7K
C22	10A104-01	.1uF 50V	D115	21A440-01	1N4740A 10V	Q117	96-914-02	IRFP9240	R114	76-222-01	2.2K	R224	76-472-01	4.7K
C23	10A104-01	.1uF 50V	D116	21A440-01	1N4740A 10V	Q118	96-014-02	IRFP240	R115	76-223-01	22K	R225	76-102-01	1K
C24	10A104-01	.1uF 50V	D117	21A440-01	1N4740A 10V	Q119	96-914-02	IRFP9240	R116	76-272-01	2.7K	R226	77-470-03	47 1/2W
C25	10-332-01	.0033uF UL	D118	21A914-01	1N914 100V	Q120	96R056-01	MPSA56	R117	76-222-01	2.2K	R227	76-681-01	680
C26	10-332-01	.0033uF UL	D119	21A914-01	1N914 100V	Q201	96-176-01	J176	R118	76-102-01	1K	R228	76-101-01	100
C27	10-104-21	.1uF 250V	D120	21A914-01	1N914 100V	Q202	96-035-01	MJE350 TO-225	R119	77-470-03	47 1/2W	R229	76-471-01	470
C28	10-104-21	.1uF 250V	D192	21A914-01	1N914 100V	Q203	96-034-01	MJE340 TO-225	R120	76-272-01	2.7K	R230	76-101-01	100
C29	10-104-10	.1uF 400V	D201	21A914-01	1N914 100V	Q204	96-035-01	MJE350 TO-225	R121	76-272-01	2.7K	R231	76-682-02	6.81K 1% 1/4W
C30	10A104-01	.1uF 50V	D202	21A914-01	1N914 100V	Q205	96-034-01	MJE340 TO-225	R122	76-472-01	4.7K	R232	76-682-02	6.81K 1% 1/4W
C31	10A104-01	.1uF 50V	D203	21A914-01	1N914 100V	Q206	96R006-01	MPSA06	R123	76-472-01	4.7K	R233	76-101-01	100
C32	10A104-01	.1uF 50V	D204	21A914-01	1N914 100V	Q207	96R006-01	MPSA06	R124	76-472-01	4.7K	R234	76-101-01	100
C33	12-107-93	100uF 450V	D205	21A914-01	1N914 100V	Q208	96R006-01	MPSA06	R125	76-102-01	1K	R235	76-823-01	82K
C34	12-107-93	100uF 450V	D206	21A370-01	1N3070 200V	Q209	96R006-01	MPSA06	R126	77-470-03	47 1/2W	R236	76-823-01	82K
C35	12-106-95	10uF 450V	D207	21A370-01	1N3070 200V	Q210	96-014-02	IRFP240	R127	76-681-01	680 1/2W	R237	77-470-03	47 1/2W
C36	12-106-95	10uF 450V	D208	21A370-01	1N3070 200V	Q211	96-914-02	IRFP9240	R128	76-101-01	100	R238	77-152-03	1.5K 1/2W
C37	12-106-95	10uF 450V	D209	21A370-01	1N3070 200V	Q212	96-014-02	IRFP240	R129	76-471-01	470 5W	R239	78-470-05	0.47 5W
C38	12-106-95	10uF 450V	D210	21A914-01	1N914 100V	Q213	96-914-02	IRFP9240	R130	76-101-01	100	R240	78-470-05	0.47 5W
C39	10-224-25	.22uF 250V	D211	21A370-01	1N3070 200V	Q214	96-014-02	IRFP240	R131	76-682-02	6.81K 1% 1/4W	R241	77-152-03	1.5K 1/2W
C40	10-224-25	.22uF 250V	D212	21A370-01	1N3070 200V	Q215	96-914-02	IRFP9240	R132	76-682-02	6.81K 1% 1/4W	R242	77-470-03	47 1/2W
C101	10R104-03	.1uF 100V	D213	21A914-01	1N914 100V	Q216	96-014-02	IRFP240	R133	76-101-01	100	R243	77-470-03	47 1/2W
C102	10A330-21	33pF 200V	D214	21A440-01	1N4740A 10V	Q217	96-914-02	IRFP9240	R134	76-101-01	100	R244	77-152-03	1.5K 1/2W
C103	12R226-82	22uF 16V NP	D215	21A440-01	1N4740A 10V	Q218	96-014-02	IRFP240	R135	76-823-01	82K	R245	77-101-01	100 1/2W
C104	10A101-21	100pF 200V	D216	21A440-01	1N4740A 10V	Q219	96-914-02	IRFP9240	R136	76-823-01	82K	R246	78-470-05	0.47 5W
C105	10A560-21	56pF 200V	D217	21A440-01	1N4740A 10V	Q220	96R056-01	MPSA56	R137	77-470-03	47 1/2W	R247	78-470-05	0.47 5W
C106	12R106-36	10uF 35V NP	D218	21A914-01	1N914 100V	R1	76-152-01	1.5K	R138	77-152-03	1.5K 1/2W	R248	77-152-03	1.5K 1/2W
C107	12R106-36	10uF 35V NP	D219	21A914-01	1N914 100V	R2	76-152-01	1.5K	R139	78-470-05	0.47 5W	R249	77-470-03	47 1/2W
C108	10A474-01	.47uF 50V NP	FC1	23-926-02	FUSE CLIP	R3	76-152-01	1.5K	R140	78-470-05	0.47 5W	R250	77-470-03	47 1/2W
C109	10R104-03	.1uF 100V	FC2	23-926-02	FUSE CLIP	R4	76-103-01	10K	R141	77-152-03	1.5K 1/2W	R251	77-152-03	1.5K 1/2W
C110	12R476-35	47uF 35V	FC3	23-926-02	FUSE CLIP	R5	76-105-01	1M	R142	77-470-03	47 1/2W	R252	78-470-05	0.47 5W
C111	12R105-51	1uF 50V NP	FC4	23-926-02	FUSE CLIP	R6	76-105-01	1M	R143	77-470-03	47 1/2W	R253	78-470-05	0.47 5W
C112	12R105-51	1uF 50V NP	FC5	23-926-02	FUSE CLIP	R7	76-103-01	10K	R144	77-152-03	1.5K 1/2W	R254	78-470-05	0.47 5W
C113	12R106-36	10uF 35V NP	FC6	23-926-02	FUSE CLIP	R8	76-103-01	10K	R145	77-101-01	100 1/2W	R255	77-152-03	1.5K 1/2W
C114	12R106-36	10uF 35V NP	IC1	37-532-01	NE5532	R9	76-332-01	2.2K	R146	78-470-05	0.47 5W	R256	77-470-03	47 1/2W
C115	10A681-21	680pF 200V	IC2	37R350-01	LM-35	R10	76-222-01	2.2K	R147	78-470-05	0.47 5W	R257	77-470-03	47 1/2W
C116	10A681-21	680pF 200V	IC3	37-074-01	TLO74	R11	76-473-01	47K	R148	77-152-03	1.5K 1/2W	R258	77-152-03	1.5K 1/2W
C117	10R104-03	.1uF 100V	IC4	37-715-01	78M15	R12	76-473-01	47K	R149	77-470-03	47 1/2W	R259	78-470-05	0.47 5W
C118	12R226-82	22uF 16V NP	IC5	37-915-01	79M15	R13	76-332-01	3.3K	R150	77-470-03	47 1/2W	R260	78-470-05	0.47 5W
C119	10A104-01	.1uF 50V	IC6	37-072-01	TLO72	R14	76-271-01	270	R151	77-152-03	1.5K 1/2W	R261	77-152-03	1.5K 1/2W
C201	10R104-03	.1uF 100V	IC101	37-074-01	TLO74	R15	76-133-01	13K	R152	78-470-05	0.47 5W	R262	77-470-03	47 1/2W
C202	10A330-21	33pF 200V	IC201	37-074-01	TLO74	R16	76-273-01	27K	R153	78-470-05	0.47 5W	R263	77-470-03	47 1/2W
C203	12R226-82	22uF 16V NP	J1	39-117-01	T/R/S JACK	R17	76-333-01	33K	R154	77-152-03	1.5K 1/2W	R264	77-152-03	1.5K 1/2W
C204	10A101-21	100pF 200V	J2	39-116-01	T/S JACK									

GOOP PARTS INDICATED PER STANDARD GOOP PRACTICE

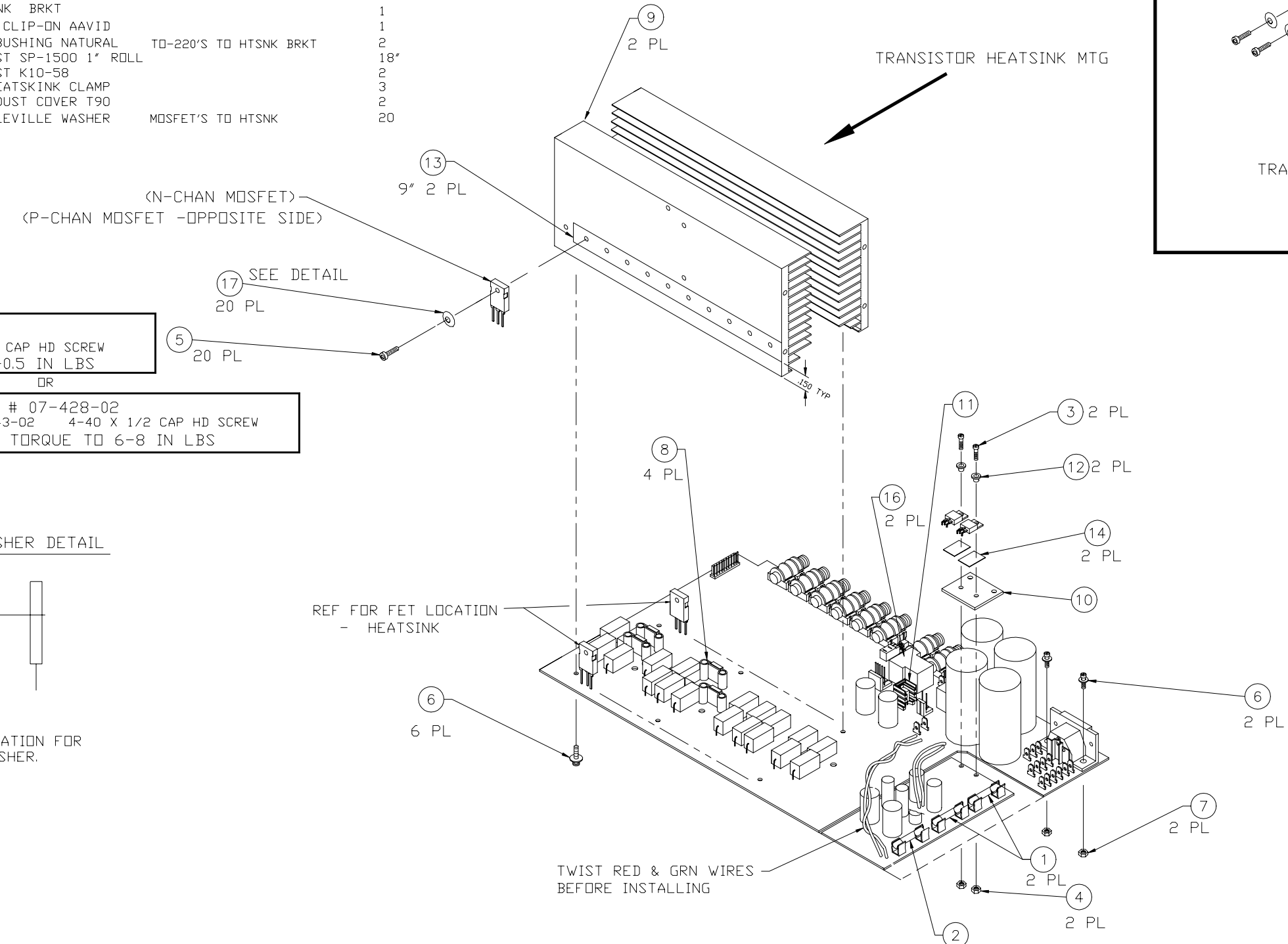
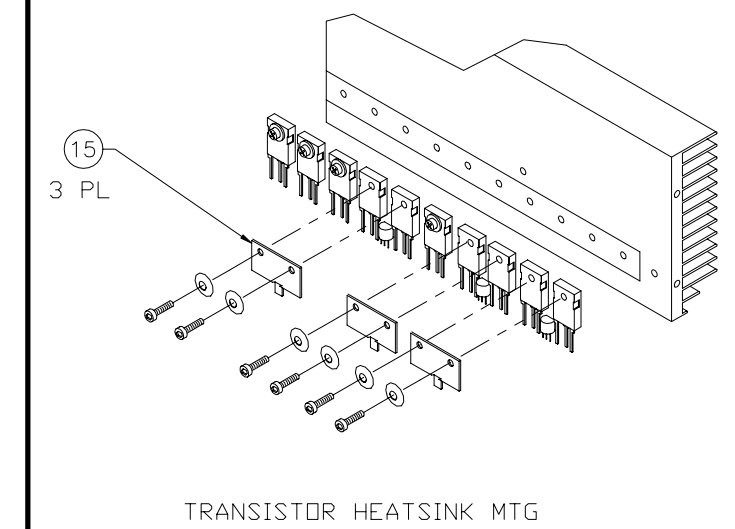


9	SEE SHT 1 FOR REV HISTORY				
REV:	DATE:	DESCRIPTION	ECR/ECN NO:	CHNG'D BY:	APPR'D BY:
THE INFORMATION CONTAINED ON THIS DRAWING IS PROPRIETARY TO ST. LOUIS MUSIC, INC.					
SIGNATURES:		DATE:			
DRAWN:	REM	7-1-96			
CHK'D:					
RLS'D:					
TOLERANCES:		DRAWING SIZE: D		DRAWING TITLE:	
		DRAWING TYPE:		PICTORIAL	
		CLASS CODE:		DRAWING NO:	
SCALE: 1:1		SHEET: 3 OF 4		07P428-XX	

11880 Borman Dr.
St. Louis, Missouri
63146

FIRST USED ON:
SVT-4PRO PWR AMP

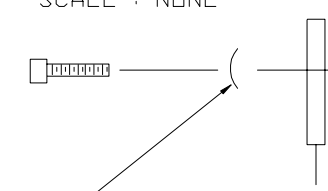
ITEM	PART NO.	DESCRIPTION	WHERE USED	QTY.
1	23-308-05	1.5A SB FUSE		2
2	23-313-05	1/8A SB FUSE		1
3	30-408-52	4-40 X 1/2 PPHD M/S	TO-220'S TO HTSNK BRKT	2
4	30-442-52	4-40 A. F. HEX KEP ASSY	TO-220'S TO HTSNK BRKT	2
5 ^{DR}	30-651-01	6-32 X 1/2 CAP HD SCREW	MOSFET'S TO HTSNK -01 ASSY	20
5 ^{DR}	30-443-02	4-40 X 1/2 CAP HD SCREW	MOSFET'S TO HTSNK -02 ASSY	20
6	30-638-53	6-32 X 3/8 PPH MS SEMS	AC CNCTR TO BRD, HTSNKS TO BRD	8
7	30-700-01	6-32 HEX KEPNUT ASSY	AC CNCTR TO BRD	2
8	33-004-01	HEATSINK CLIP		4
9 ^{DR}	33-428-01	SVT-4PRO HEATSINK	HTSNK FOR -01 ASSY	2
9 ^{DR}	33-405-01	SVT-4PRO HEATSINK	HTSNK FOR -02 ASSY	2
10	33-428-02	HEATSINK BRKT		1
11	33-576-01	TO-220 CLIP-DN AAVID		1
12	35-043-01	NYLON BUSHING NATURAL	TO-220'S TO HTSNK BRKT	2
13	35-570-02	BERQUIST SP-1500 1" ROLL		18"
14	35-575-01	BERQUIST K10-58		2
15	51-428-01	XSTR HEATKINK CLAMP		3
16	68-602-01	RELAY DUST COVER T90		2
17	30-636-01	#6 BELLEVILLE WASHER	MOSFET'S TO HTSNK	20




PART # 07-428-01
 30-651-01 6-32 X 1/2 CAP HD SCREW
 TORQUE TO 11.0 +0.5 IN LBS

PART # 07-428-02
 30-443-02 4-40 X 1/2 CAP HD SCREW
 TORQUE TO 6-8 IN LBS

BELLEVILLE WASHER DETAIL
 SCALE : NONE



9	SEE SHT 1 FOR REV HISTORY					
REV:	DATE:	DESCRIPTION	ECR/EON NO:	CHNG'D BY:	APPR'D BY:	DATE:
THE INFORMATION CONTAINED ON THIS DRAWING IS PROPRIETARY TO ST. LOUIS MUSIC, INC.						
SIGNATURES:		DATE:		 11880 Borman Dr. St. Louis, Missouri 63146		
DRAWN: REM		7-1-96		FIRST USED ON:		
CHK'D:				SVT-4PRO PWR AMP		
RLS'D:				DRAWING TITLE:		
TOLERANCES:		DRAWING SIZE: D		DRAWING NO:		
		DRAWING TYPE:		PICTORIAL		
		CLASS CODE:		DRAWING NO:		
		SCALE: 1:1		07P428-XX		
		SHEET: 4 OF 4				