

NOTES

- 1) CAUTION: SHOCK HAZARD!!  
THIS UNIT CONTAINS HAZARDOUS VOLTAGE. DISCONNECT POWER AND BE SURE POWER SUPPLY IS DISCHARGED BEFORE TOUCHING INTERNAL PARTS.
- 2) UNLESS NOTED, RESISTOR VALUES IN OHMS, 1/4W-5%TOL. CAPACITOR VALUES IN MICROFARADS, 50V-10%TOL.
- 3) VOLTAGES ARE MEASURED WITH 1 MEGOHM OSCILLOSCOPE AND 10 MEGOHM DIGITAL VOLTMETER.

NOTE: GOOP C12, C13, C34, C35, C4-C7 AND DB1 RECTIFIER HEATSINK AS SHOWN PER STANDARD GOOP PROCEDURE.

SHEETS 1,2,3 & 4 OF THIS DRAWING REPRESENT ASSY P/N 07-442-03

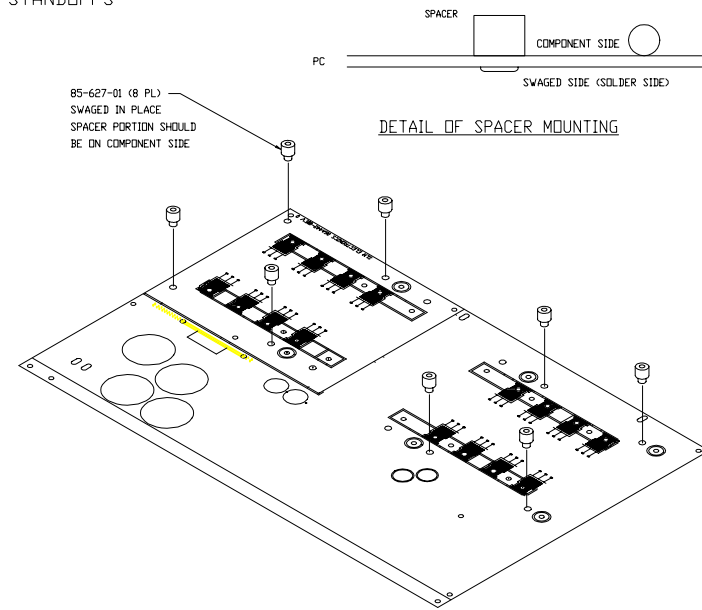
NOTE: SHEET 3 AND 6 ARE AUTOCAD DRAWING FILE # 442XXP?.DWG

5	11/07/00	4-40_x_3/8" SOCKET HD_CHG_TO_1/2" P/N_30-443-01_TO_-02.	N00412	REM
4	5/26/00	J43_(2_PIN_HDR) SHT_1_WAS_SHOWN AS_R/A_CRECT_IS_VERTICAL.	N00342	REM
3	12-1-99	CHANGED_TO_-03_-11_VERSION CHANGED_QTY_OF_-33-576-01_0N_-11	E990103 N00253	RLB

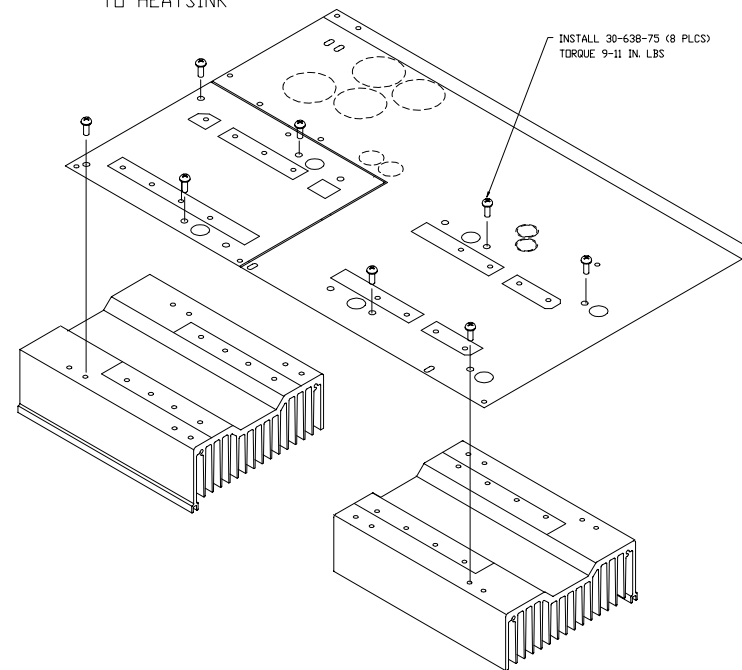
2	5-18-99	ADD_VERSION_DWG#_TO_XX		REM		
	3-31-99	CHANGE_R112,R212_FROM_7.5K TO_15K	E990025	REM		
	3-31-99	CHANGE_39-116-51_TO_-01	E990065	REM		
	11-25-98	J40_AND_J43_HERE_17-102-02	E980586	REM		
1	10-14-98	MOVE_GND,J34,J43_R/A,VALUES	980528	REM		
0		CONTROL_ISSUE				
REV:	DATE:	DESCRIPTION	ECO/ECR NO:	CHNG'D BY:	APPR'D BY:	DATE:
THIS INFORMATION CONTAINED ON THIS DRAWING IS PROPRIETARY TO ST. LOUIS MUSIC, INC.						
SIGNATURES:		DATE:		11880 Borman Dr. St. Louis, Missouri 63146		
DRAWN: REM		6-25-98		FIRST USED ON:		
CHK'D:				B-4R_BASS_AMP		
RLS'D:				DRAWING TITLE:		
DRAWING SIZE: C		DRAWING TYPE: PICTORIAL/GOOP		POWER_AMP		
DRAWING TYPE: PICTORIAL/GOOP		CLASS CODE:		DRAWING NO.:		
SCALE: 1:1		SHEET: SHT 1 OF 6		07-442-XX		

A				B				C				D				E				F			
REF DES	PART #	DESCRIPTION		REF DES	PART #	DESCRIPTION		REF DES	PART #	DESCRIPTION		REF DES	PART #	DESCRIPTION		REF DES	PART #	DESCRIPTION					
AP101	71-501-02	500	TRIM	D19	21A402-01	1N4002	100U/1A	J36	17-836-01	TAB	R105	76-172-02	1.74K	1/4W	R219	77-470-03	47	1/2W					
AP201	71-501-02	500	TRIM	D20	21A402-01	1N4002	100U/1A	J37	17-836-01	TAB	R106	76-152-01	1.5K		R220	76-272-01	2.7K						
C1	10A104-01	.1uF	50U	D21	21A402-01	1N4002	100U/1A	J38	17-836-01	TAB	R107	76-102-01	1K		R221	76-272-01	2.7K						
C2	10A474-01	.47uF	50U	D22	21A402-01	1N4002	100U/1A	J42	17-105-02	HEADER	R108	76-223-01	22K		R222	76-472-01	4.7K						
C4	12-828-10	8200uF	100U	D23	21A914-01	1N914	100U/0.1A	J43	17-105-02	HEADER	R109	76-101-01	100		R223	76-472-01	4.7K						
C5	12-828-10	8200uF	100U	D24	21A914-01	1N914	100U/0.1A	J45	17-894-01	TAB	R110	76-473-02	47.5K	1/4W	R224	76-472-01	4.7K						
C6	12-828-10	8200uF	100U	D25	21A593-01	1N5393	200U/1.5A	J46	17-894-01	TAB	R111	76-102-01	1K		R225	77-102-03	1K	1/2W					
C7	12-828-10	8200uF	100U	D26	21A402-01	1N4002	100U/1A	J47	17-894-01	TAB	R112	76-153-01	15K		R226	77-470-03	47	1/2W					
C8	10F224-03	.22uF	100U	D101	21A914-01	1N914	100U/0.1A	J48	17-894-01	TAB	R113	76-153-01	15K		R227	76-681-01	680						
C9	10F224-03	.22uF	100U	D102	21A914-01	1N914	100U/0.1A	J49	17-894-01	TAB	R114	76-222-01	2.2K		R228	76-101-01	100						
C10	10A104-01	.1uF	50U	D103	21A914-01	1N914	100U/0.1A	J50	17-894-01	TAB	R115	76-223-01	22K		R229	76-471-01	470						
C11	12R227-32	220uF	35U	D104	21A914-01	1N914	100U/0.1A	K101	82-090-01	RELAY	R116	76-272-01	2.7K		R230	76-101-01	100						
C12	12-228-32	2200uF	35U	D105	21A914-01	1N914	100U/0.1A	K201	82-090-01	RELAY	R117	76-222-01	2.2K		R231	76-562-02	5.6K	1%					
C13	12-228-32	2200uF	35U	D106	21A370-01	1N3070	200U/0.1A	L101	94-141-01	.5uH	R118	77-102-03	1K	1/2W	R232	76-562-02	5.6K	1%					
C14	10A104-01	.1uF	50U	D107	21A370-01	1N3070	200U/0.1A	L201	94-141-01	.5uH	R119	77-470-03	47	1/2W	R233	76-101-01	100						
C15	10A104-01	.1uF	50U	D108	21A370-01	1N3070	200U/0.1A	OC101	66-100-01	UTL5C7 OPTO	R120	76-272-01	2.7K		R234	76-101-01	100						
C16	12R105-51	1uF	50U	D109	21A370-01	1N3070	200U/0.1A	OC201	66-100-01	UTL5C7 OPTO	R121	76-272-01	2.7K		R235	76-823-01	82K						
C17	12R476-35	47uF	35U	D110	21A914-01	1N914	100U/0.1A	OPTJ40	17-105-03	HEADER	R122	76-472-01	4.7K		R236	76-823-01	82K						
C18	12R476-35	47uF	35U	D111	21A370-01	1N3070	200U/0.1A	Q1	96-125-01	TIP-125	R123	76-472-01	4.7K		R243	77-470-03	47	1/2W					
C19	10A104-01	.1uF	50U	D112	21A370-01	1N3070	200U/0.1A	Q101	96R175-01	J175	R124	77-102-03	1K	1/2W	R244	77-152-03	1.5K	1/2W					
C20	10A104-01	.1uF	50U	D113	21A914-01	1N914	100U/0.1A	Q102	96-133-01	MJE15033	R125	76-681-01	680		R245	77-101-01	100	1/2W					
C21	10A104-01	.1uF	50U	D114	21A440-01	1N4740A	10U/1W	Q103	96-034-01	MJE340	R126	76-101-01	100		R246	78-470-05	0.47	5W					
C22	10A104-01	.1uF	50U	D115	21A440-01	1N4740A	10U/1W	Q104	96-035-01	MJE350	R127	76-101-01	100		R247	78-470-05	0.47	5W					
C23	10A104-01	.1uF	50U	D116	21A440-01	1N4740A	10U/1W	Q105	96-132-01	MJE15032	R128	76-101-01	100		R248	77-152-03	1.5K	1/2W					
C24	10A104-01	.1uF	50U	D117	21A440-01	1N4740A	10U/1W	Q106	96R006-01	MPSA06	R129	76-471-01	470		R249	77-470-03	47	1/2W					
C25	10-332-01	.0033uF	UL	D118	21A914-01	1N914	100U/0.1A	Q107	96-006-01	MPSA06	R130	76-101-01	100		R250	77-470-03	47	1/2W					
C26	10-332-01	.0033uF	UL	D119	21A914-01	1N914	100U/0.1A	Q108	96R006-01	MPSA06	R131	76-562-02	5.6K	1%	R251	77-152-03	1.5K	1/2W					
C27	10-104-21	.1uF	250U	D120	21A914-01	1N914	100U/0.1A	Q109	96R056-01	MPSA56	R132	76-562-02	5.6K	1%	R252	78-470-05	0.47	5W					
C28	10-104-21	.1uF	250U	D201	21A914-01	1N914	100U/0.1A	Q110	96-014-02	IRFP9240	R133	76-101-01	100		R253	78-470-05	0.47	5W					
C29	10-104-10	.1uF	400U	D202	21A914-01	1N914	100U/0.1A	Q111	96-914-02	IRFP9240	R134	76-101-01	100		R254	77-152-03	1.5K	1/2W					
C30	10A104-01	.1uF	50U	D203	21A914-01	1N914	100U/0.1A	Q112	96-014-02	IRFP9240	R135	76-823-01	82K		R255	77-470-03	47	1/2W					
C31	10A104-01	.1uF	50U	D204	21A914-01	1N914	100U/0.1A	Q113	96-914-02	IRFP9240	R136	76-823-01	82K		R256	77-470-03	47	1/2W					
C32	10A104-01	.1uF	50U	D205	21A914-01	1N914	100U/0.1A	Q114	96-014-02	IRFP9240	R137	76-823-01	82K		R257	77-152-03	1.5K	1/2W					
C33	10A474-01	.47uF	50U	D206	21A370-01	1N3070	200U/0.1A	Q115	96-914-02	IRFP9240	R138	76-823-01	82K		R258	78-470-05	0.47	5W					
C34	12-228-16	2200uF	16U	D207	21A370-01	1N3070	200U/0.1A	Q116	96-014-02	IRFP9240	R139	76-823-01	82K		R259	78-470-05	0.47	5W					
C35	12-228-16	2200uF	16U	D208	21A370-01	1N3070	200U/0.1A	Q117	96-914-02	IRFP9240	R140	76-823-01	82K		R260	77-152-03	1.5K	1/2W					
C36	10A104-01	.1uF	50U	D209	21A370-01	1N3070	200U/0.1A	Q118	96-014-02	IRFP9240	R141	77-152-03	1.5K	1/2W	R261	77-470-03	47	1/2W					
C37	10A104-01	.1uF	50U	D210	21A914-01	1N914	100U/0.1A	Q119	96-014-02	IRFP9240	R142	77-470-03	47	1/2W	R262	77-470-03	47	1/2W					
C101	10R104-03	.1uF	100U	D211	21A370-01	1N3070	200U/0.1A	Q120	96R056-01	MPSA56	R143	77-470-03	47	1/2W	R263	77-152-03	1.5K	1/2W					
C102	10A330-21	33pF	200U	D212	21A370-01	1N3070	200U/0.1A	Q201	96R175-01	J175	R144	77-152-03	1.5K	1/2W	R264	78-470-05	0.47	5W					
C103	12R226-82	22uF	16U	D213	21A914-01	1N914	100U/0.1A	Q202	96-133-01	MJE15033	R145	77-101-01	100	1/2W	R265	78-470-05	0.47	5W					
C104	10A560-21	56pF	200U	D214	21A440-01	1N4740A	10U/1W	Q203	96-034-01	MJE340	R146	78-470-05	0.47	5W	R266	77-152-03	1.5K	1/2W					
C105	10A560-21	56pF	200U	D215	21A440-01	1N4740A	10U/1W	Q204	96-035-01	MJE350	R147	78-470-05	0.47	5W	R267	77-470-03	47	1/2W					
C106	12R106-36	10uF	35U	D216	21A440-01	1N4740A	10U/1W	Q205	96-132-01	MJE15032	R148	77-152-03	1.5K	1/2W	R268	78A033-01	3.3	1W					
C107	10A474-01	.47uF	50U	D217	21A440-01	1N4740A	10U/1W	Q206	96R006-01	MPSA06	R149	77-470-03	47	1/2W	R269	76-224-01	220K						
C108	10R104-03	.1uF	100U	D218	21A914-01	1N914	100U/0.1A	Q207	96-006-01	MPSA06	R150	77-152-03	1.5K	1/2W	R270	76-224-01	220K						
C109	10R104-03	.1uF	100U	D219	21A914-01	1N914	100U/0.1A	Q208	96R006-01	MPSA06	R151	77-470-03	47	1/2W	R271	76-224-01	220K						
C110	12R106-35	10uF	35U	DB1	21-207-01	25AMP	DIODE	Q209	96R056-01	MPSA56	R152	78-470-05	0.47	5W	R272	76-223-01	22K						
C111	12R105-51	1uF	50U	F1,2	23-301-05	1A SLO-BLO FUSE		Q210	96R006-01	MPSA06	R153	78-470-05	0.47	5W	R273	78A010-11	1	1W					
C112	12R105-51	1uF	50U	F3,4	23-308-05	1.5A SLO-BLO FUSE		Q211	96R006-01	MPSA06	R154	77-152-03	1.5K	1/2W	R274	76-102-01	1K						
C113	12R106-36	10uF	35U	FC1	23-926-02	CLIP		Q212	96-014-02	IRFP9240	R155	77-470-03	47	1/2W	S1	88-303-02	QUAD SWITCH						
C114	12R106-36	10uF	35U	FC2	23-926-02	CLIP		Q213	96-914-02	IRFP9240	R156	77-470-03	47	1/2W	JW1-140	76-000-05	JUMPER WIRE						
C115	10A681-21	680pF	200U	FC3	23-926-02	CLIP		Q214	96-014-02	IRFP9240	R157	77-152-03	1.5K	1/2W	QTY 16	30-443-02	4-40 X 1/2 SOCKET HD						
C116	10A681-21	680pF	200U	FC4	23-926-02	CLIP		Q215	96-914-02	IRFP9240	R158	78-470-05	0.47	5W	QTY 16	30-636-01	#6 BELLEVILLE WASHER						
C117	10R104-03	.1uF	100U	FC5	23-926-02	CLIP		Q216	96-014-02	IRFP9240	R159	78-470-05	0.47	5W	QTY 2	30-638-53	6-32 X 3/8 PPH MS						
C118	12R226-82	22uF	16U	FC6	23-926-02	CLIP		Q217	96-914-02	IRFP9240	R160	77-152-03	1.5K	1/2W	QTY 8	30-638-75	6-32-3/4" PPH MS						
C119	10A104-01	.1uF	50U	FC7	23-926-02	CLIP		Q218	96-014-02	IRFP9240	R161	77-470-03	47	1/2W	QTY 1	30-6							

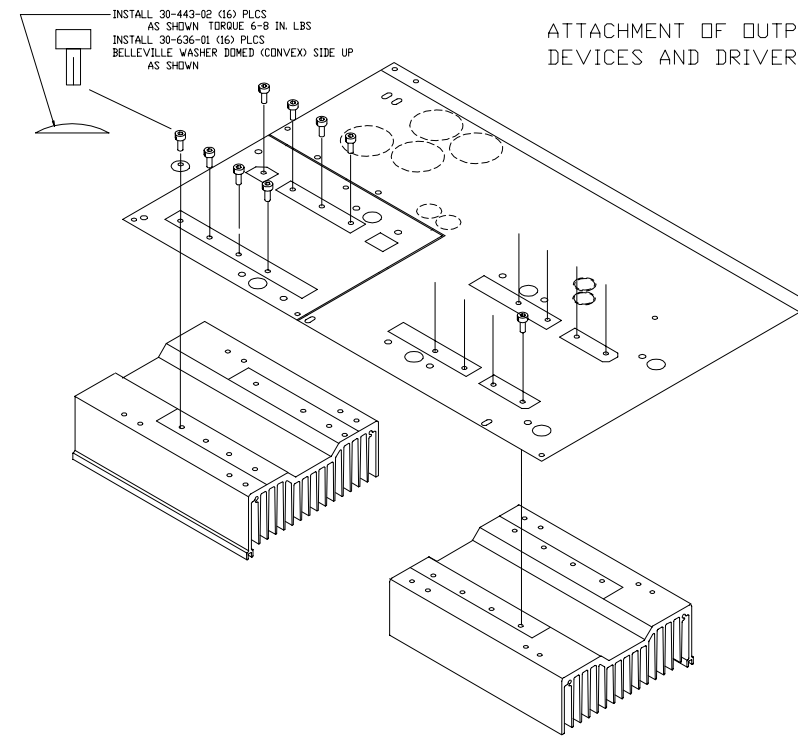
INSTALLATION OF SWAGED STANDOFFS



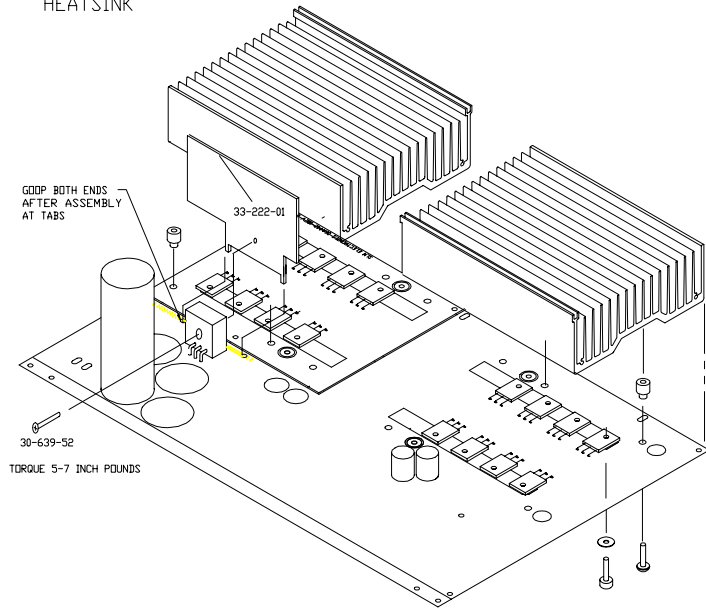
ATTACHMENT OF PC BOARD TO HEATSINK



ATTACHMENT OF OUTPUT DEVICES AND DRIVERS

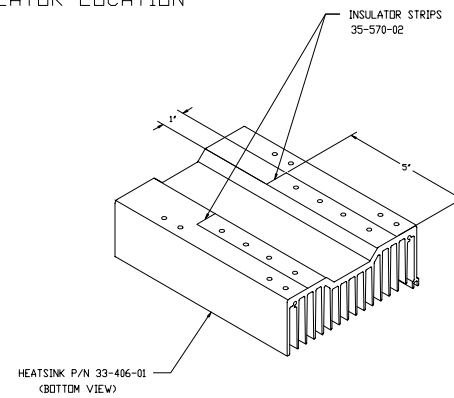


ATTACHMENT OF RECTIFIER HEATSINK

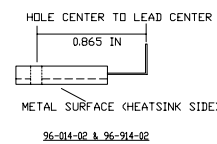


GAP ENDS OF HEATSINK AT TABS TO RETAIN AND SUPPORT IT AFTER ASSEMBLY TO PC BOARD

INSULATOR LOCATION

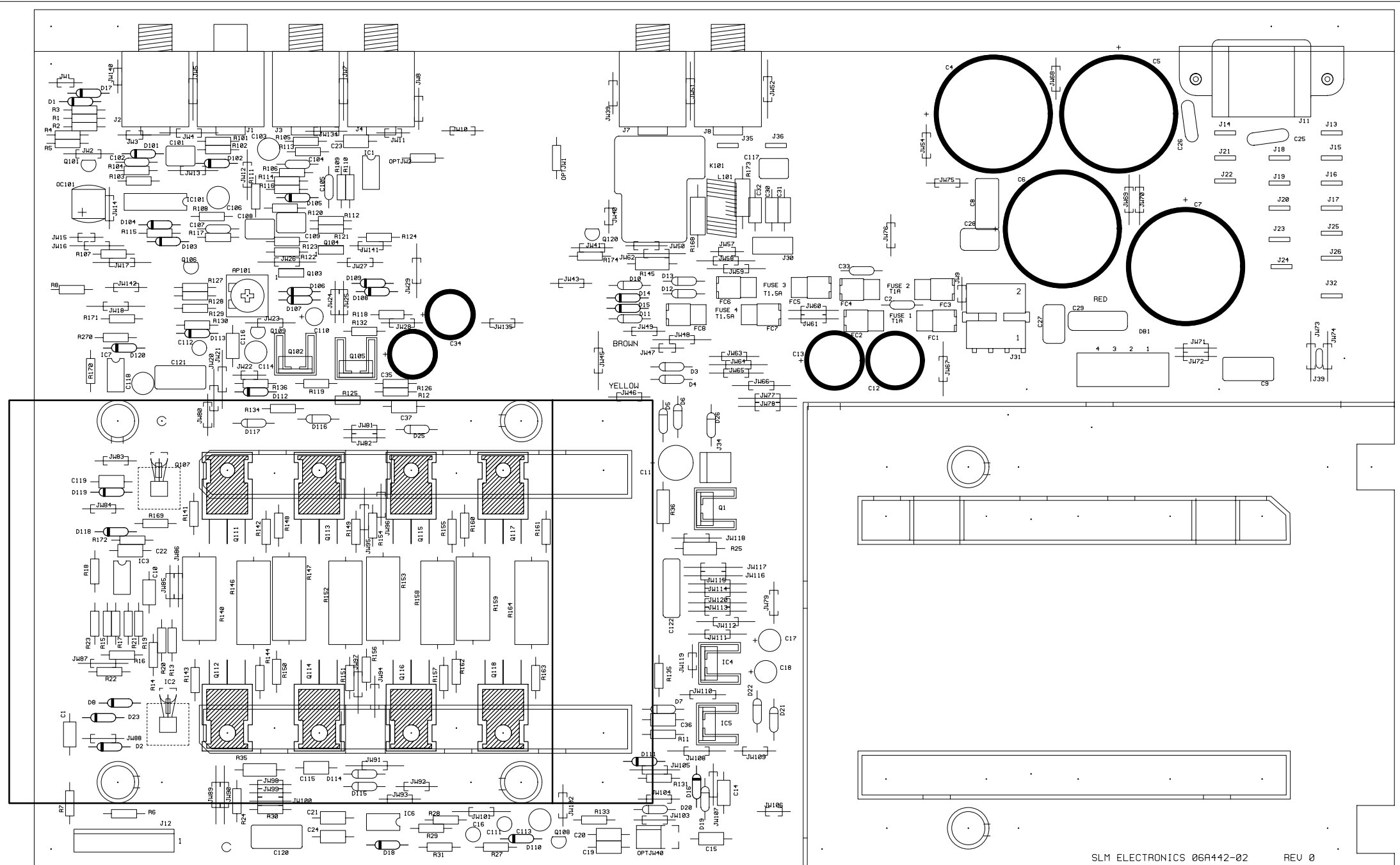


TRANSISTOR LEAD BENDING



NOTE:  
SHEET 3 OF THIS DRAWING  
REPRESENTS ASSY P/N 07-442-03

5	SEE SHT. 1 FOR REV HISTORY					
REV:	DATE:	DESCRIPTION	ECR/ECN NO:	CHNG'D BY:	APPR'D BY:	DATE:
THE INFORMATION CONTAINED ON THIS DRAWING IS PROPRIETARY TO ST. LOUIS MUSIC, INC.						
SIGNATURES:		DATE:		11880 Borman Dr. St. Louis, Missouri 63146		
DRAWN:	REM	6-25-98		FIRST USED ON:		
CHK'D:				B-4R BASS AMP		
RLS'D:				DRAWING TITLE:		
DRAWING SIZE:		D		DRAWING NO:		
DRAWING TYPE:				POWER AMP		
CLASS CODE:				DRAWING NO:		
SCALE: none		SHEET: 3 OF 6		07-442-XX		



SLM ELECTRONICS 06A442-02 REV 0

NOTE: GOOP C12, C13, C34, C35, C4-C7 PER STANDARD GOOP PROCEDURE.

SHEETS 4,5 & 6 OF THIS DRAWING REPRESENT ASSY P/N 07-442-11

NOTE: SHEET 3 AND 6 ARE AUTOCAD DRAWING FILE # 442XXP?.DWG

5	SEE_SHT_1_FOR_REV_HISTORY					
REV:	DATE:	DESCRIPTION	ECO/ECR NO:	CHNG'D BY:	APPR'D BY:	DATE:
THIS INFORMATION CONTAINED ON THIS DRAWING IS PROPRIETARY TO ST. LOUIS MUSIC, INC.						
SIGNATURES:		DATE:		11880 Borman Dr. St. Louis, Missouri 63146		
DRAWN: REM		6-25-98		FIRST USED ON: B-4R_BASS_AMP		
CHK'D:		DRAWING TITLE: POWER_AMP				
RLS'D:		DRAWING NO.: 07-442-XX				
TOLERANCES:		DRAWING SIZE: C		DRAWING NO.:		
		DRAWING TYPE: PICTORIAL/GOOP		DRAWING NO.:		
		CLASS CODE:		DRAWING NO.:		
		SCALE: 1:1		SHEET: SHT 4 OF 6		

C

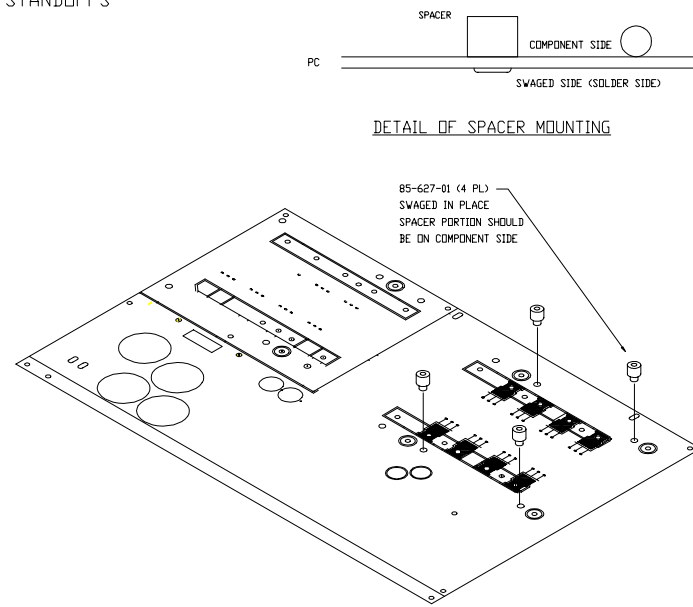
D

E

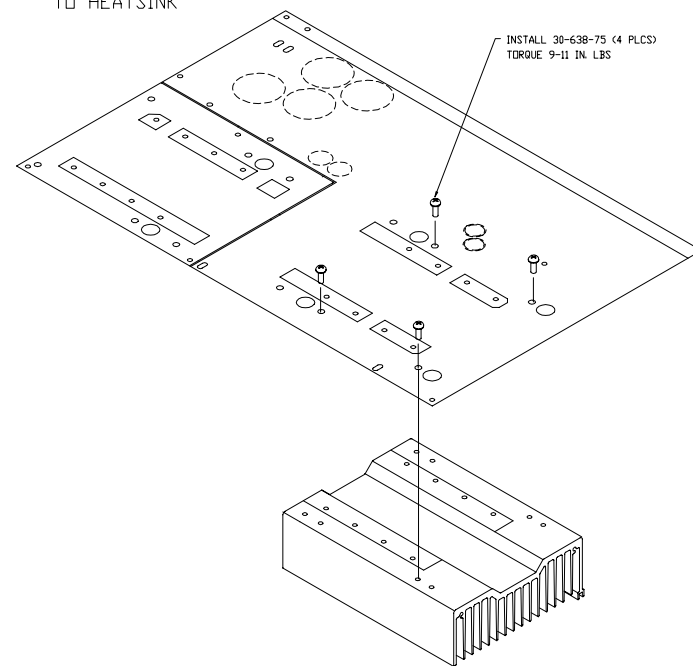
F



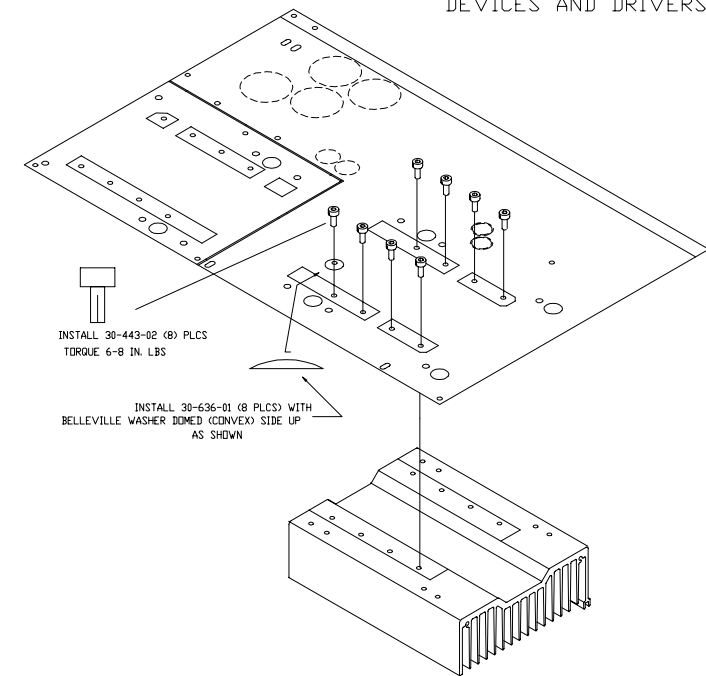
INSTALLATION OF SWAGED STANDOFFS



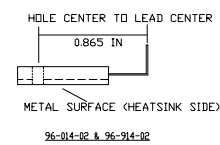
ATTACHMENT OF PC BOARD TO HEATSINK



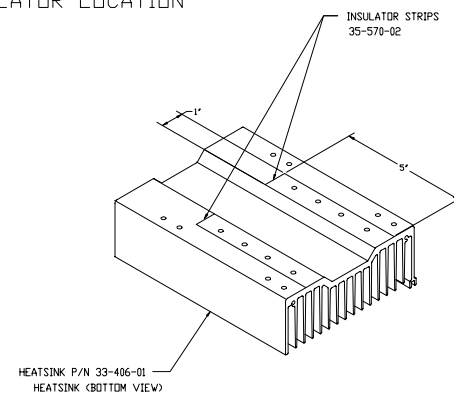
ATTACHMENT OF OUTPUT DEVICES AND DRIVERS



TRANSISTOR LEAD BENDING



INSULATOR LOCATION



NOTE:  
SHEET 6 OF THIS DRAWING  
REPRESENTS ASSY P/N 07-442-11

5	SEE SHT 1 FOR REV HISTORY					
REV:	DATE:	DESCRIPTION	ECR/ECN NO:	CHNG'D BY:	APPR'D BY:	DATE:
THE INFORMATION CONTAINED ON THIS DRAWING IS PROPRIETARY TO ST. LOUIS MUSIC, INC.						
SIGNATURES:		DATE:		11880 Borman Dr. St. Louis, Missouri 63146		
DRAWN:	REM	6-25-98				
CHK'D:			FIRST USED ON:			
RLS'D:			B-4R BASS AMP			
TOLERANCES:	DRAWING SIZE: D		DRAWING TITLE:			
	DRAWING TYPE:		POWER AMP			
	CLASS CODE:		DRAWING NO:			
	SCALE: none	SHEET: 6 OF 6	07-442-XX			