

Sonora Radio & Telev., Corp.

Model: 314

Chassis:

Year: Pre 1952

Power:

Circuit:

IF:

Tubes:

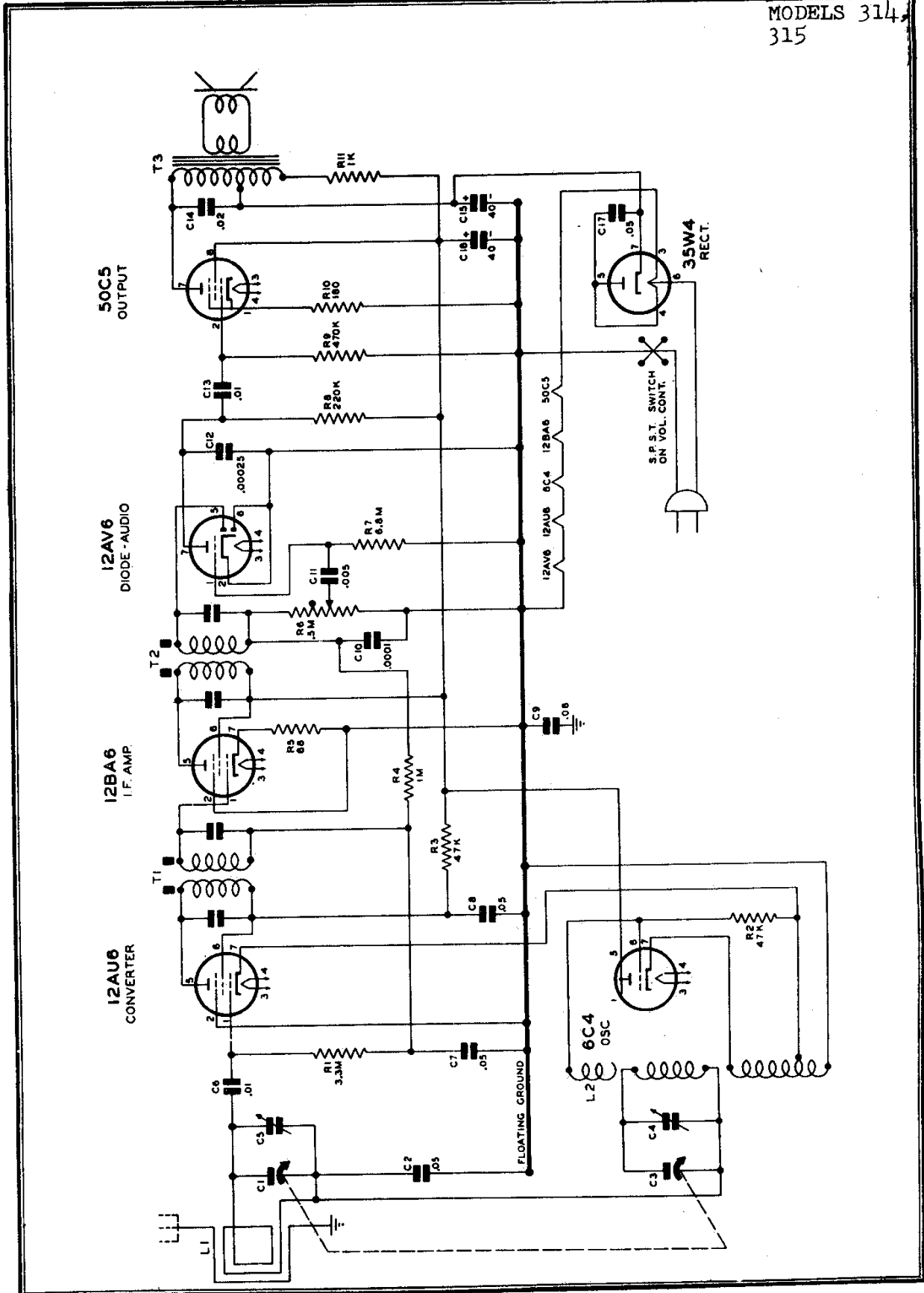
Bands:

Resources

[Riders Volume 22 - SONORA 22-1](#)

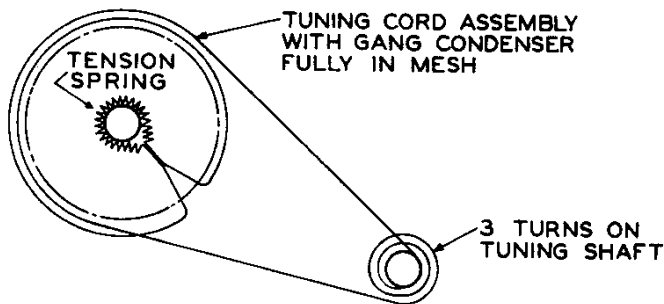
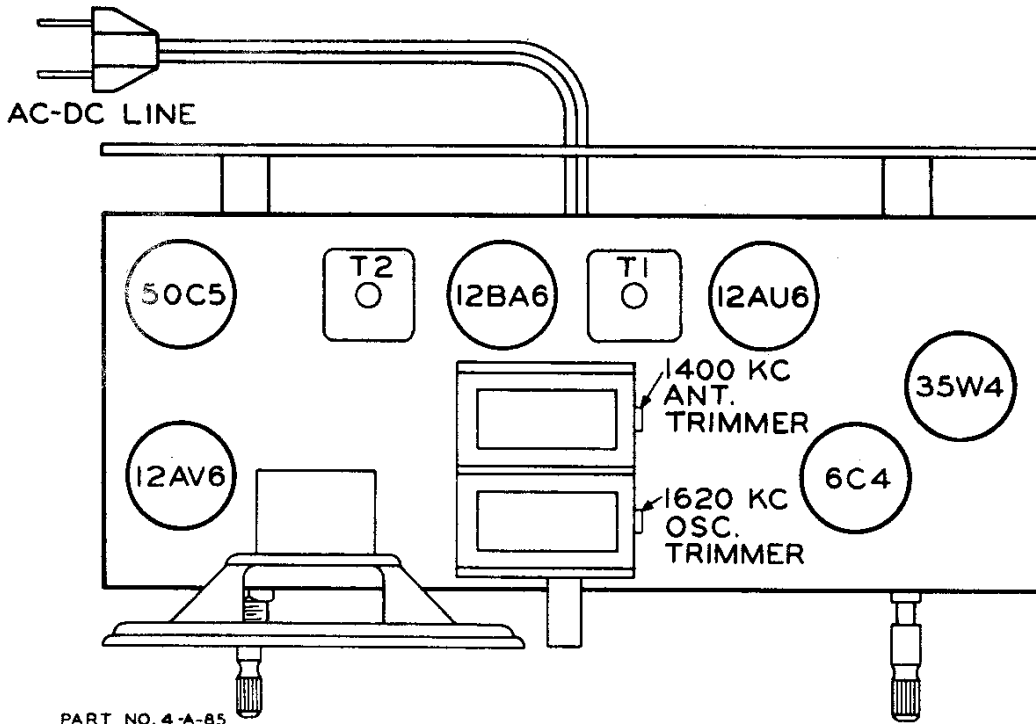
[Riders Volume 22 - SONORA 22-2](#)

[Riders Volume 22 - SONORA 22-3](#)

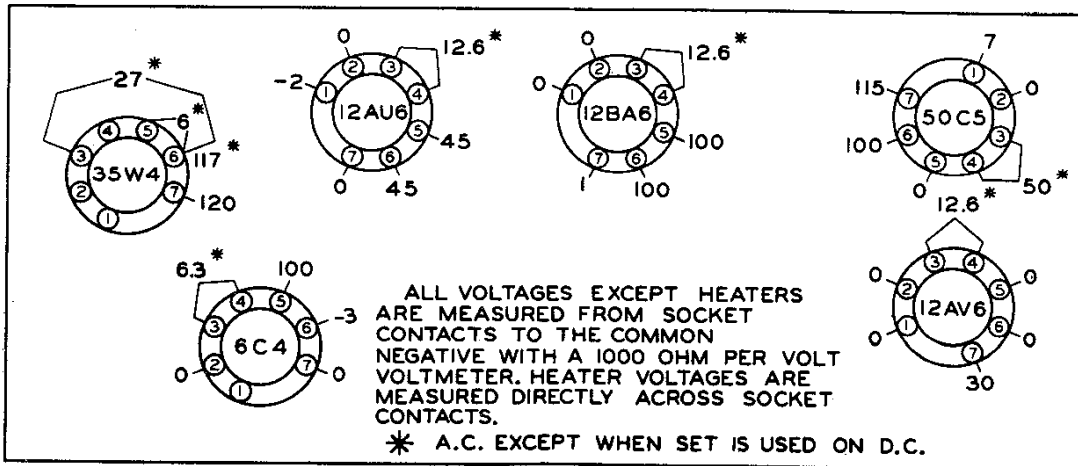


PAGE 22-2 SONORA

MODELS 314,
315



REAR OF CHASSIS



VOLTAGE TABLE
(BOTTOM VIEW OF CHASSIS)

ALIGNMENT PROCEDURE

For alignment procedure read tabulations from left to right and make the adjustments marked (1) first, (2) next, (3) third.

Before starting alignment:

(A) Remove the chassis and loop antenna from the cabinet at the same time. To accomplish this, remove the two fasteners holding the top of the back to the cabinet and remove the two screws on the rear apron of the chassis which fasten the chassis to the cabinet.

(B) Use an accurately calibrated test oscillator with some type of output measuring device.

STEPS	Set Receiver dial to:	TEST OSCILLATOR		DUMMY ANTENNA	ADJUSTMENT
		Adjust test oscillator Frequency to:	Attach output of test oscillator to:		
1	Any point where no interfering signal is received.	Exactly 455 KC.	High side to grid of 12AU6 Tube. Low side to common negative.	.05 MFD Condenser.	Adjust slugs at top and bottom of 2nd. I.F. (T2) and then each of the slugs of the 1st. I.F. (T1) for maximum output.
2	Exactly 1620 KC.	Exactly 1620 KC.	External Antenna. Blue lead on loop.	100 MMFD Condenser	Adjust 1620 KC Oscillator trimmer for maximum output.
3	Approx. 1400 KC.	Approx. 1400 KC.	External Antenna. Blue lead on loop.	100 MMFD Condenser	Adjust 1400 KC Antenna trimmer for maximum output.