

# Sonora Radio & Television Corp.

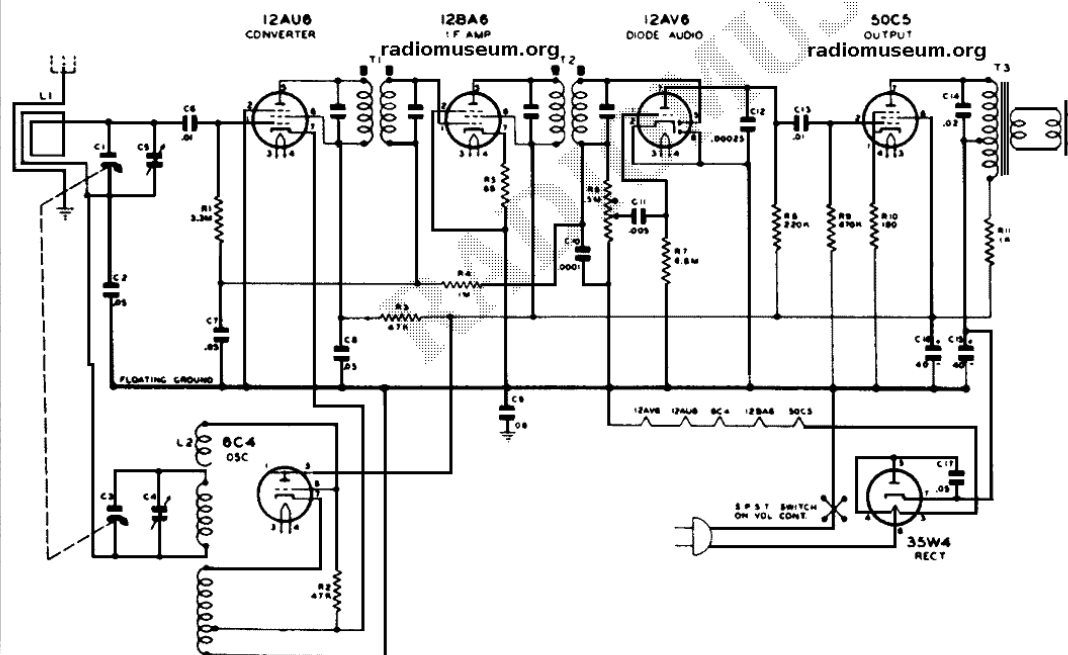
# Models 314 and 315

tthompson1314@gmail.com

## ALIGNMENT PROCEDURE

STEP	SET RECEIVER DIAL TO	TEST OSCILLATOR		DUMMY ANTENNA	ADJUSTMENTS radiomuseum.org
		ADJUST TEST OSCILLATOR FREQUENCY TO	ATTACH OUTPUT OF TEST OSCILLATOR TO radiomuseum.org		
1	Any point where no interfering signal is received.	EXACTLY 455 KC	High side to grid of 12AU6 Tube. Low side to common negative.	.05 MFD CONDENSER	Adjust slugs at top and bottom of 2nd I.F. (T2) and then each of the slugs of the 1st. I.F. for maximum output.
2	Exactly 1620 KC	Exactly 1620 KC.	External Antenna blue lead on loop.	100 MMFD Condenser.	Adjust 1620 KC oscillator trimmer (C4) for maximum output.
3	Approx. 1400 KC	Approx. 1400 KC	External Antenna blue lead on loop.	100 MMFD Condenser.	Adjust 1400 KC antenna trimmer for maximum output.

- C2,C7,C8 N-1345 Condenser, Paper .05 MFD. 200 V
- C6, C13 N-1344 Condenser, Paper .01 MFD. 400 V
- C9 N-8092 Condenser, Paper .08 MFD. 400 V
- C10 N-6015 Condenser, Ceramic 100 MMFD. 500 V. 20%
- C11 N-4894 Condenser, Paper .005 MFD. 600V
- C12 N-6488 Condenser, Ceramic 250 MMFD. 500 V.20%
- C14 N-1376 Condenser, Paper .02 MFD. 400 V
- C15 N-5051 Condenser, Dry Electrolytic (40MFD. 150 V.)
- C16 N-5051 Condenser, Dry Electrolytic (40MFD. 150 V.)
- C17 N-1346 Condenser, Paper.05MFD. 400 V.
- R1 N-4062 Resistor, Carbon 3.3 Megohm 1/2W. 20%
- R2, R3 N-4063 Resistor, Carbon 47,000 Ohm 1/2W. 20%
- R4 N-1262 Resistor, Carbon 1.0 Megohm 1/2W. 20%
- R5 N-6485 Resistor, Carbon 68 Ohm 1/2W. 10%
- R6 N-7984 Wolume Control 500,000 Ohm with Switch
- R7 N-4028 Resistor, Carbon 6.8 Megohm 1/2W. 20%
- R8 N-4026 Resistor, Carbon 220,000 Ohm 1/2W. 20%
- R9 N-4027 Resistor, Carbon 470,000 Ohm 1/2W. 20%
- R10 N-4067 Resistor, Carbon 180 Ohm 1/2W. 10%



- R11 N-3341 Resistor, Carbon 1,000 Ohm 1/2W. 10%
- L1 N-8002 Coll, Loop Antenna and Cabinet Back
- L2 N-7982 Coll, Oscillator
- T1,T2 N-7981 Coll, 1st. and 2nd. I.F. Transformer
- T3 N-8001 Transformer, Output
- N-7981 Speaker, 5 Inch P.M.
- N-8045 Assembly, Variable Gang Condenser & Pulley
- N-8005 Screen, Flocked Dial
- N-8004 Knobs, Walnut Plastic ) For Model No. #315 Cabinet, Walnut Plastic ) 607-315 Only
- N-8003 Knobs, Ivory Plastic ) For Model No. #314 Cabinet, Ivory Plastic ) 607-314 only
- N-7994 Pointer, Dial Indicator
- N-1090 Line Cord, 6 Foot Rubber
- N-8007