

radiomuseum.org

- * NOT USED IN SOME VERSIONS
- e. See parts list for alternate value or application.
 1. Voltage measurements taken with vacuum tube voltmeter.
 2. All controls set for normal operation, no signal applied.
 3. Measured values are from socket pin or terminal to common ground.
 4. All terminals viewed from bottom unless otherwise designated.
 5. Numbers assigned to terminals may not be found on the unit.
 6. Supply voltage maintained at rated value for voltage readings.
- A. PHOTOFACT STANDARD NOTATION SCHEMATIC WITH **CIRCUITPACK**
- © Howard W. Sams & Co., Inc. 1965

Resistors are 1/2 watt or less and rated 10% or 20% unless otherwise indicated.

radiomuseum.org

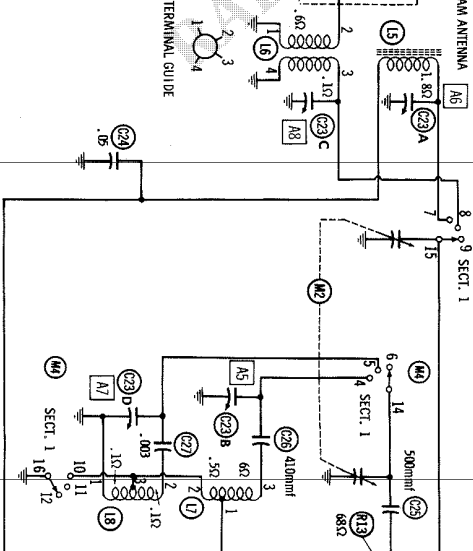
radiomuseum.org

RESISTANCE READINGS

ITEM	TUBE	Pin 1	Pin 2	Pin 3	Pin 4	Pin 5	Pin 6	Pin 7	Pin 8	Pin 9
V1	12BW8	1195Ω	0Ω	0Ω	56Ω	36Ω	† 595Ω	1meg	0Ω	0Ω
V2	12BA6	1Ω	0Ω	36Ω	† 450Ω	† 450Ω	88Ω	1meg	0Ω	0Ω
V3	12BE6	20K	1Ω	24Ω	† 12Ω	† 4.5Ω	† 4.5Ω	† 2.7meg	0Ω	0Ω
V4	12BA6	25K	0Ω	† 2.7meg	† 12Ω	† 4.5Ω	† 4.5Ω	88Ω	0Ω	0Ω
V5	12AV6	5meg	0Ω	† 2.7meg	† 4.5Ω	† 4.5Ω	† 27K	0Ω	0Ω	0Ω
V6	50G5	150Ω	50K	0Ω	† 50K	† 50K	† 35Ω	0Ω	0Ω	0Ω

ALL MEASUREMENTS TAKEN IN "FM" POSITION UNLESS OTHERWISE DESIGNATED.
 ▲ MEASURED IN "AM" POSITION. † MEASURED FROM RECTIFIER XL.
 ■ REMOVE V6 AND MEASURE FROM PIN 3 OF TUBE SOCKET. † NO CONNECTION

L6 TERMINAL GUIDE



M3, AM TERMINAL GUIDE

FUNCTION SWITCH M4 SHOWN IN "FM" POSITION SWITCH SEQUENCE: 1 AM 2 SW 3 FM

radiomuseum.org

radiomuseum.org

