

PERVEY ELECTRONICS CORP.
 711 A STREET
 MERIDIAN, MS 39301

TITLE: SPECTRUM SYNTH MODULE

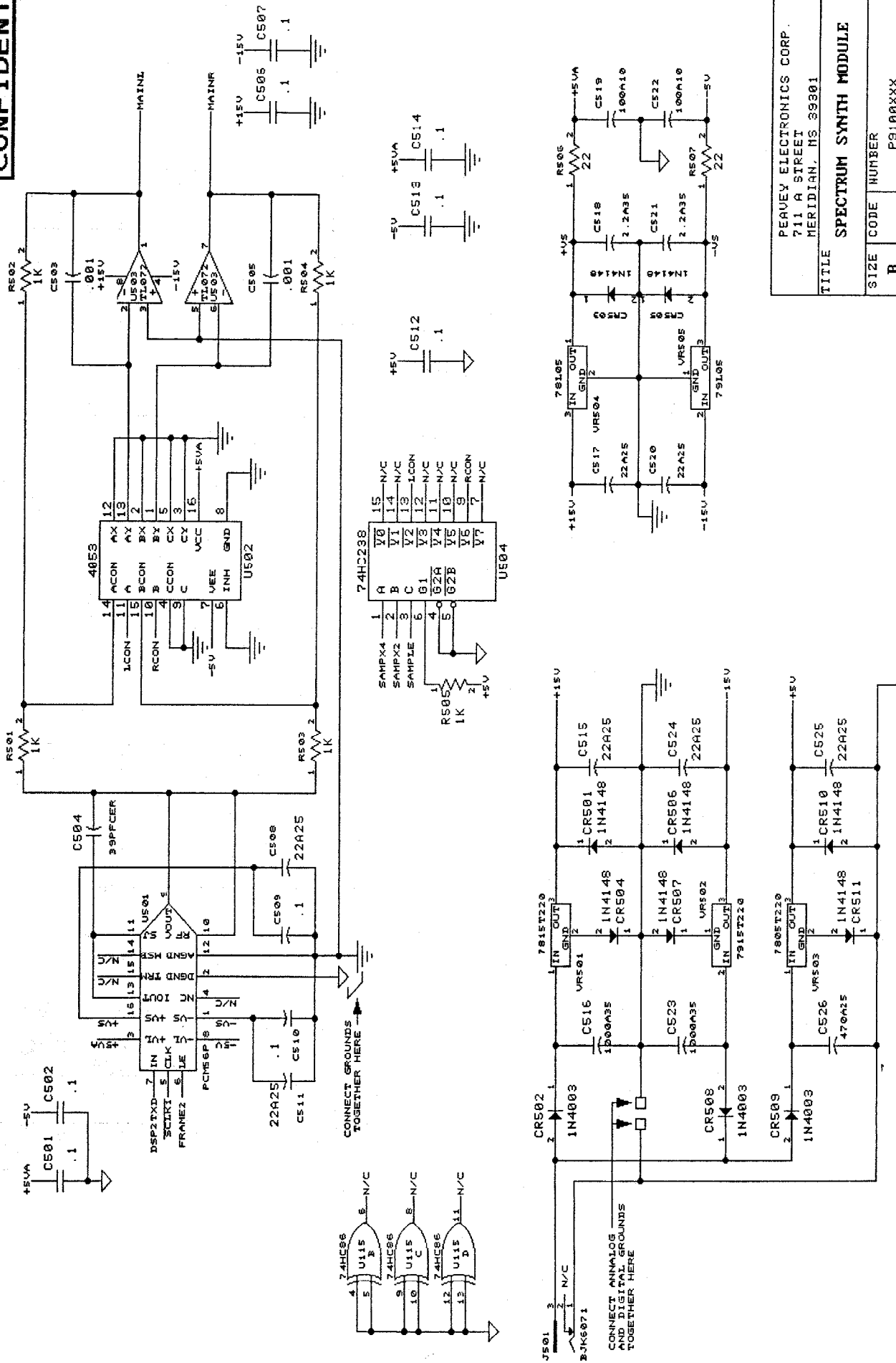
SIZE: B
 CODE: P9100XXX
 NUMBER: REV

DATE: 5-AUG-94
 SHEET: 3

CONFIDENTIAL

NOTE: HIGHEST REF C313 U313

CONFIDENTIAL



PERVEY ELECTRONICS CORP.
711 A STREET
MERIDIAN, MS 39301

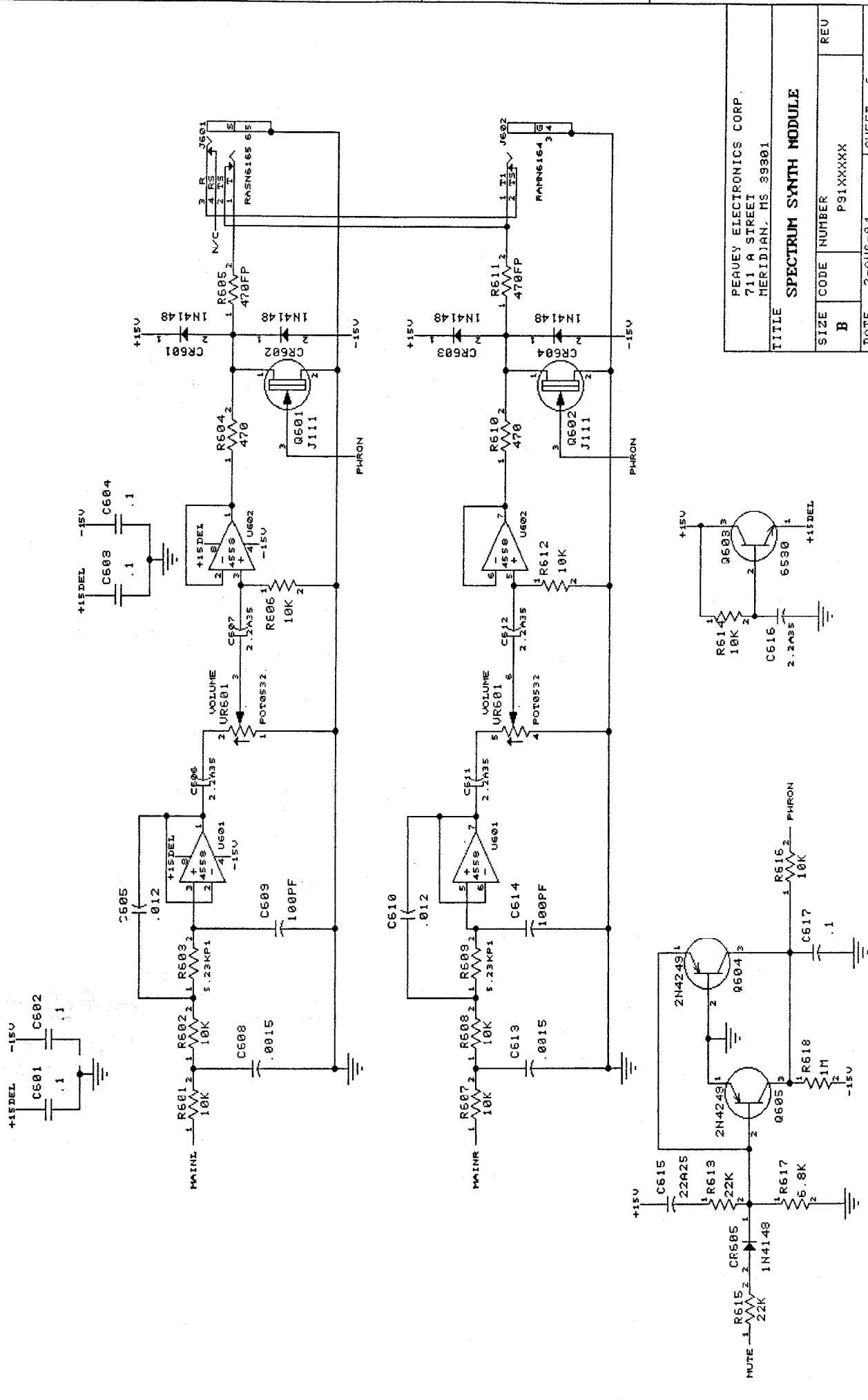
TITLE
SPECTRUM SYNTH MODULE

SIZE	CODE	NUMBER	REV
B		P9100XXX	
DATE	3-JUN-94		SHEET 5

NOTE HIGHEST REF CR511 RS07 CS26 URS05 U504

CONFIDENTIAL

NOTE HIGHEST REF CR605 R618 C617 Q605 URS01 U602 J602

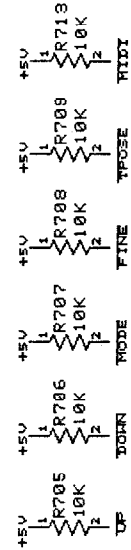
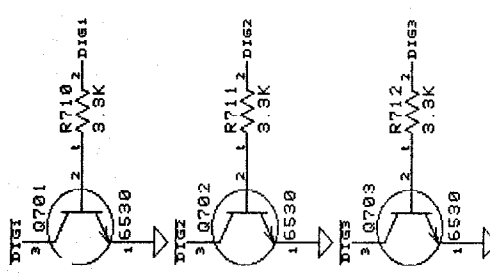
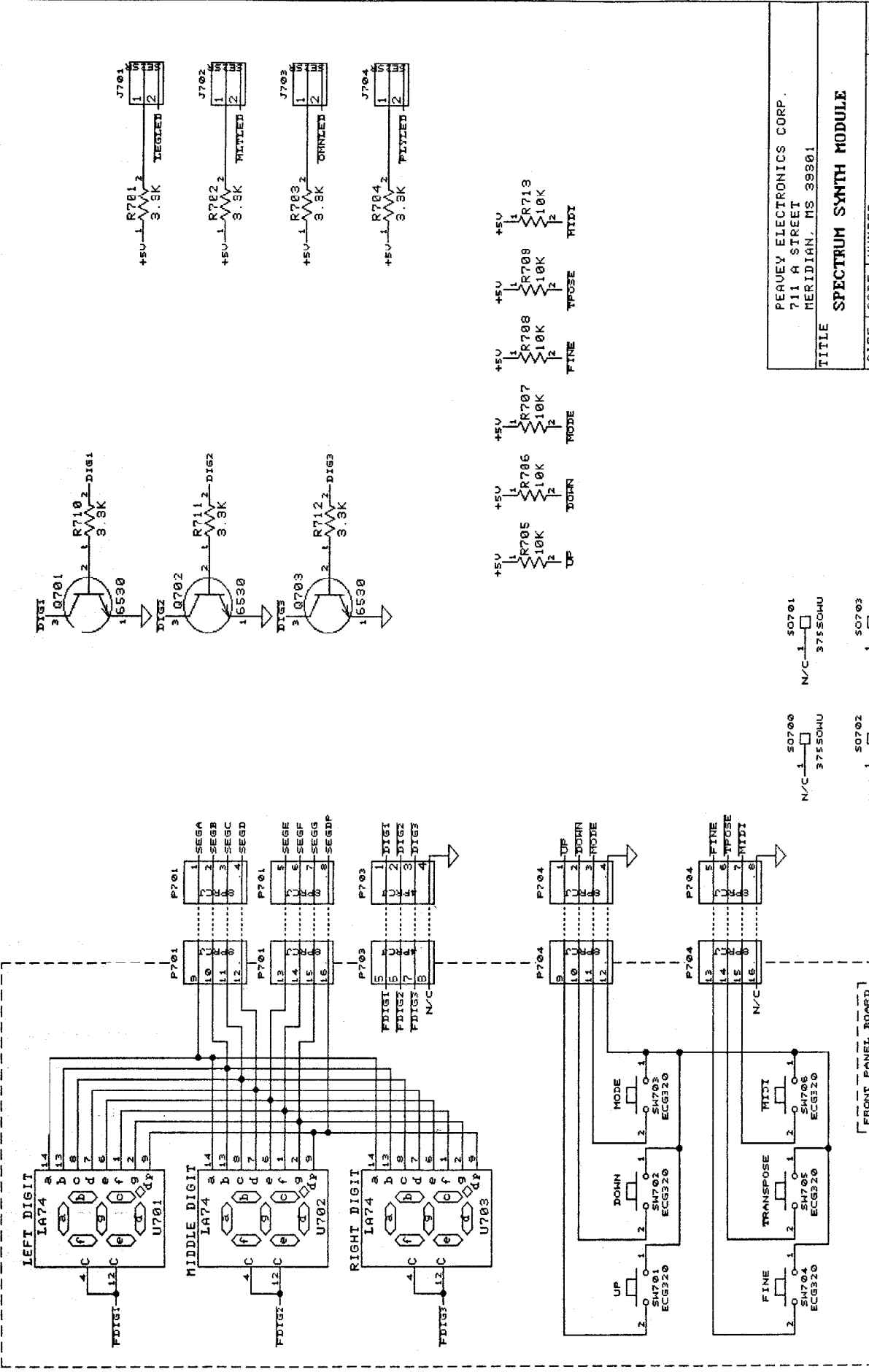


PERVEY ELECTRONICS CORP. 711 A STREET MERIDIAN, MS 39301	
TITLE SPECTRUM SYNTH MODULE	
SIZE B	CODE NUMBER P91XXXX
DATE 2-AUG-94	SHEET 5

1 2 3 4 5 6 7 8

D C B A

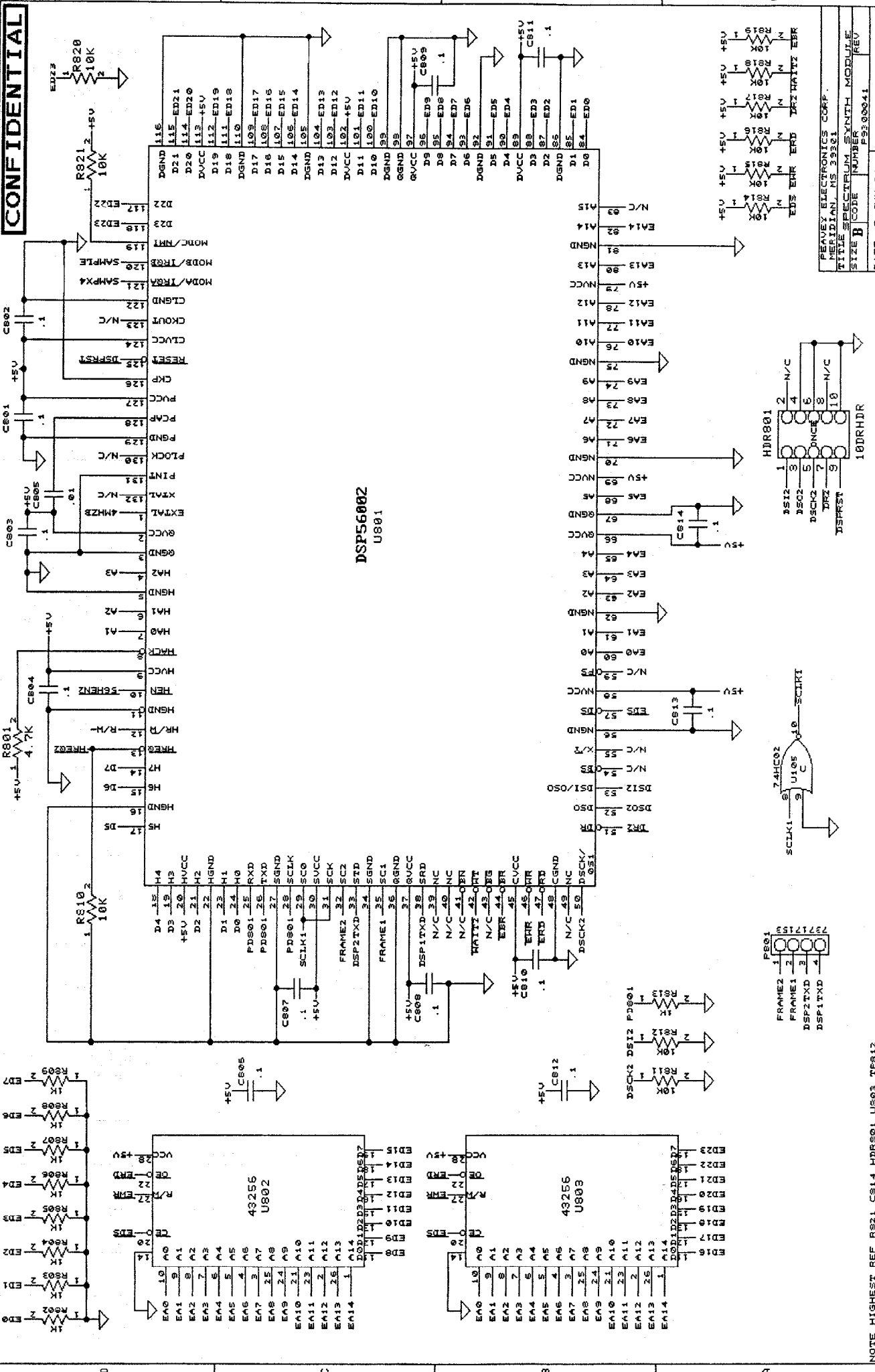
CONFIDENTIAL



PEAVEY ELECTRONICS CORP. 711 A STREET MERIDIAN, MS 39301	
TITLE SPECTRUM SYNTH MODULE	
SIZE B	CODE NUMBER P9100XXX
DATE 6-JUN-94	SHEET 7

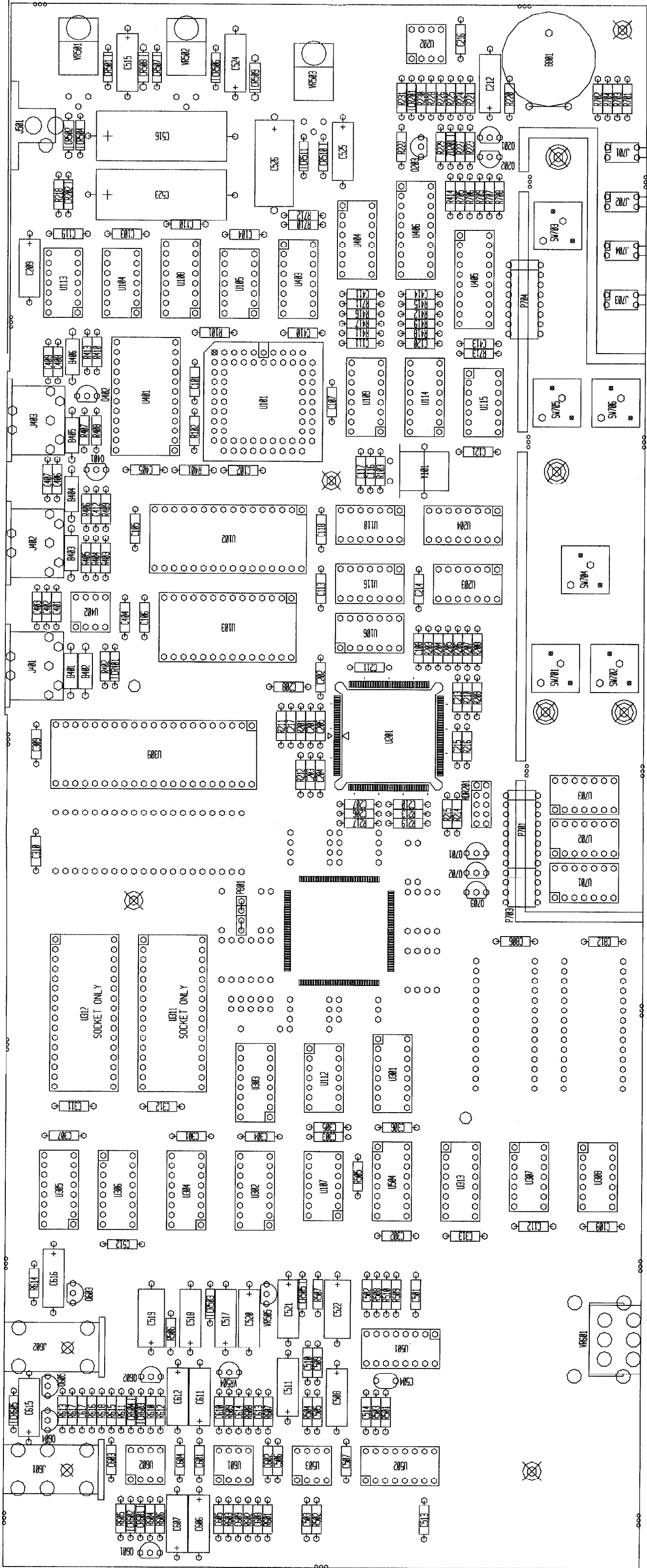
NOTE HIGHEST REF R713 U703 J704 6703

CONFIDENTIAL



REANEY ELECTRONICS CORP.
TITLE: DSP56002 WITH MODULE
SIZE: B
DATE: 7-JUN-84
SHEET: 3

NOTE: HIGHEST REF: R821, C814, HDR801, U803, TP812



SPECTRUM SYNTH

