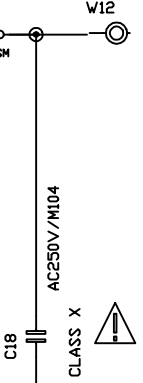
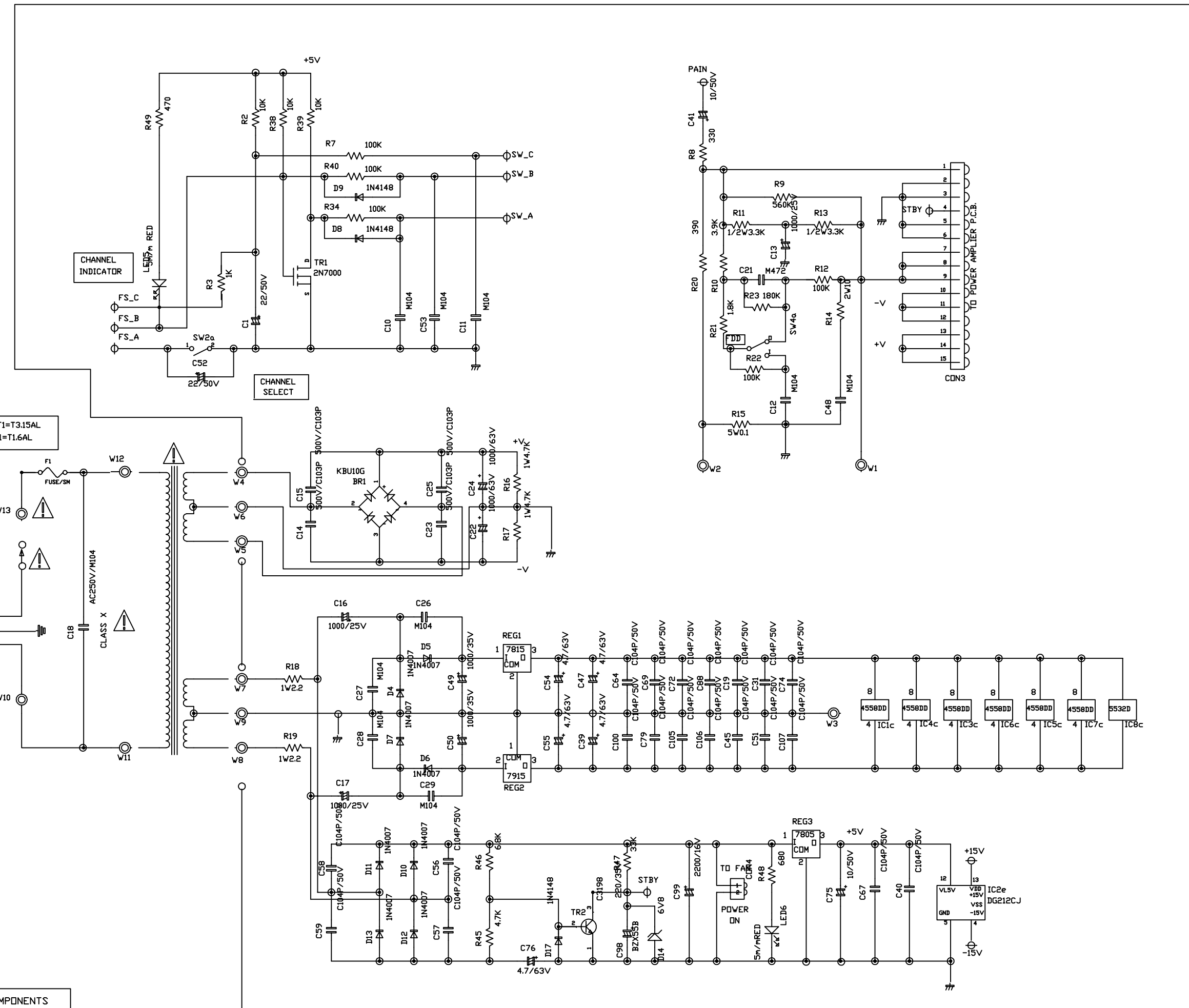


MG100@100/117V F1=T3.15AL
MG100@230V/ F1=T1.6AL

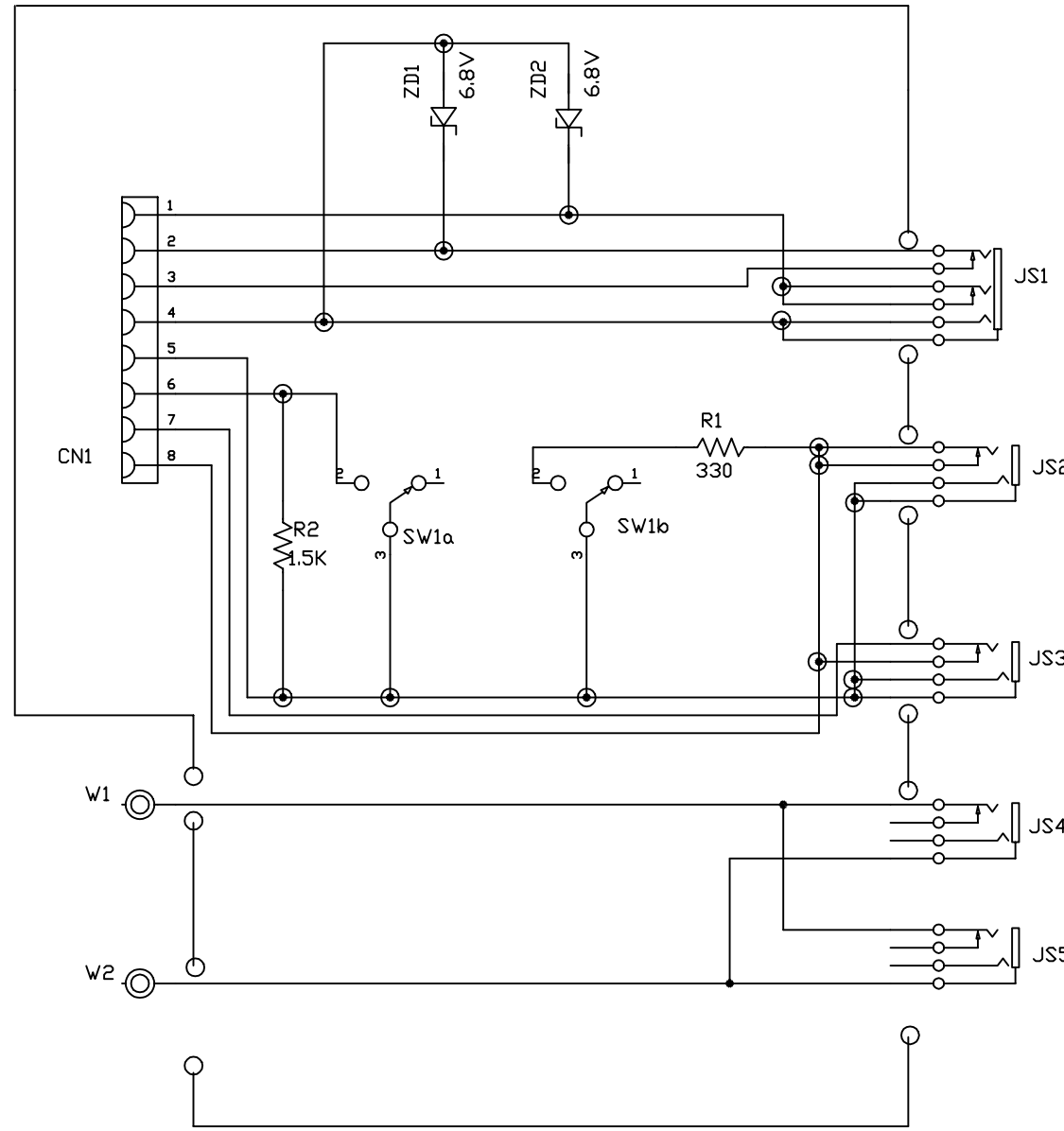
MAINS ON/OFF



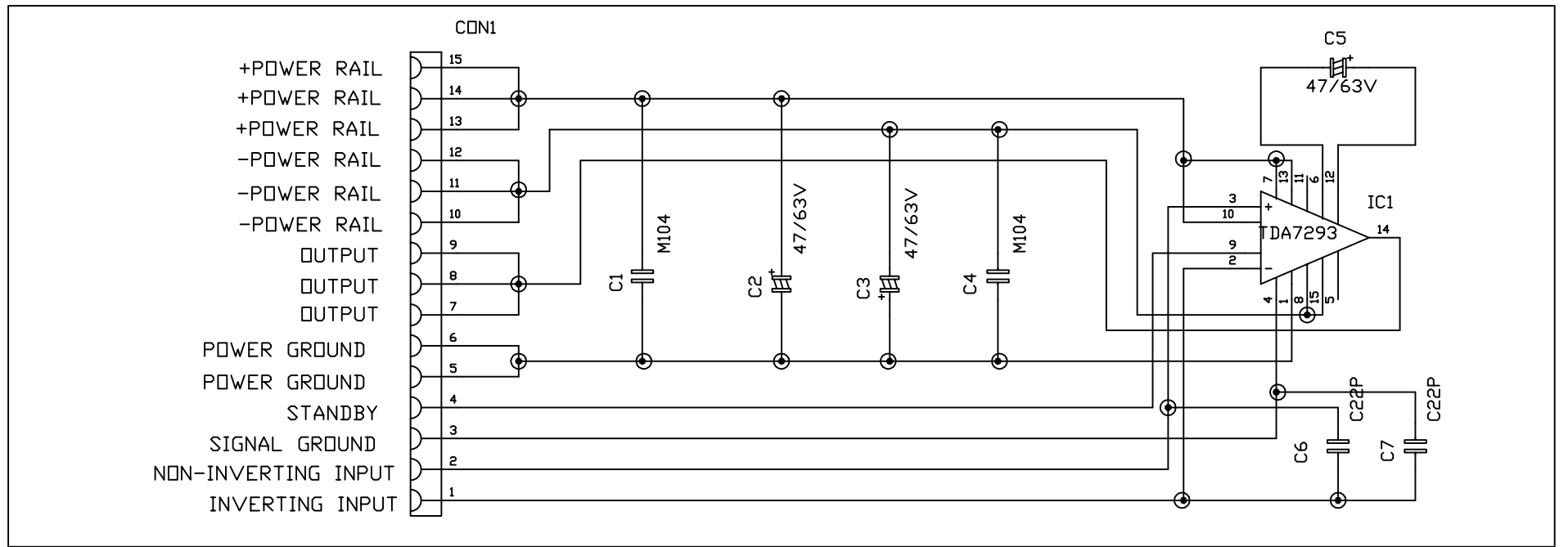
SAFETY CRITICAL COMPONENTS
COMPONENTS MUST BE REPLACED
WITH THE SAME TYPE AND
RATING ONLY



TITLE			MG-100HDFX
SIZE	DOCUMENT NUMBER	REV	
A2	<Doc>	P_02	
DATE	Friday, May 31, 2002	SHEET	1 OF 1



NOTE:-JS4 NOT FITTED ON MG100DFX

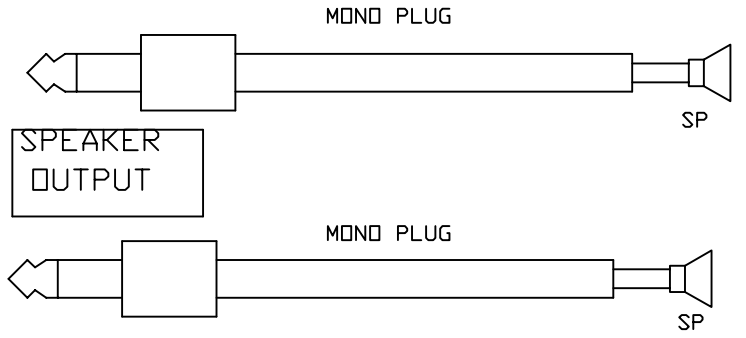


FOOTSWITCH

EFFECTS SEND

EFFECTS RETURN

SPEAKER OUTPUT



Title			MG 100HDFX		
Size	Document Number	Rev			
A3	<Doc>	P_02			
Date:	Friday, May 31, 2002	Sheet	1	of	1