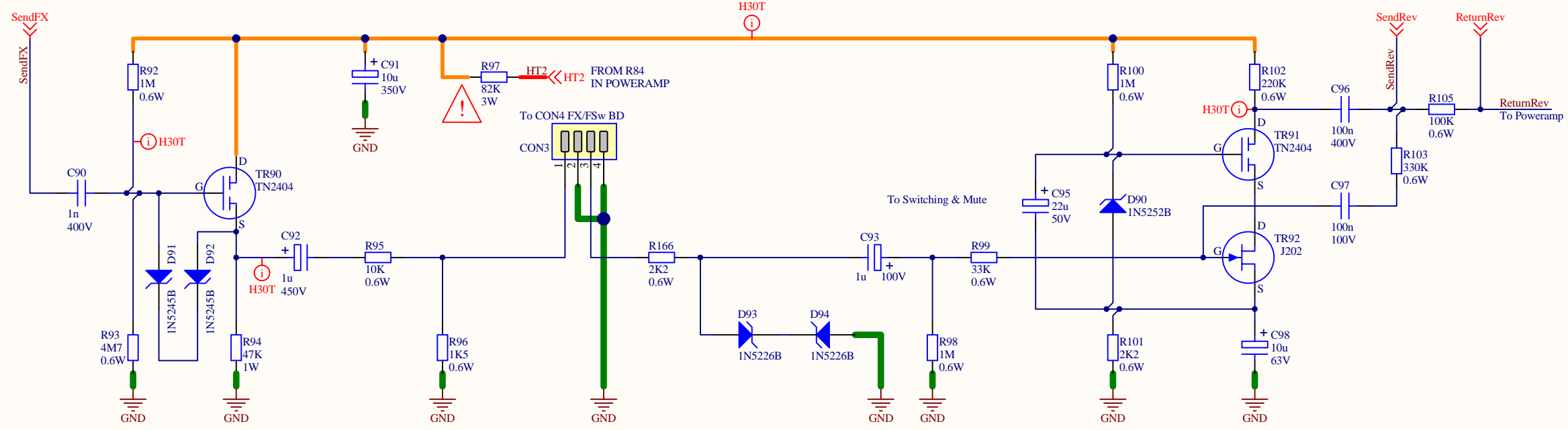
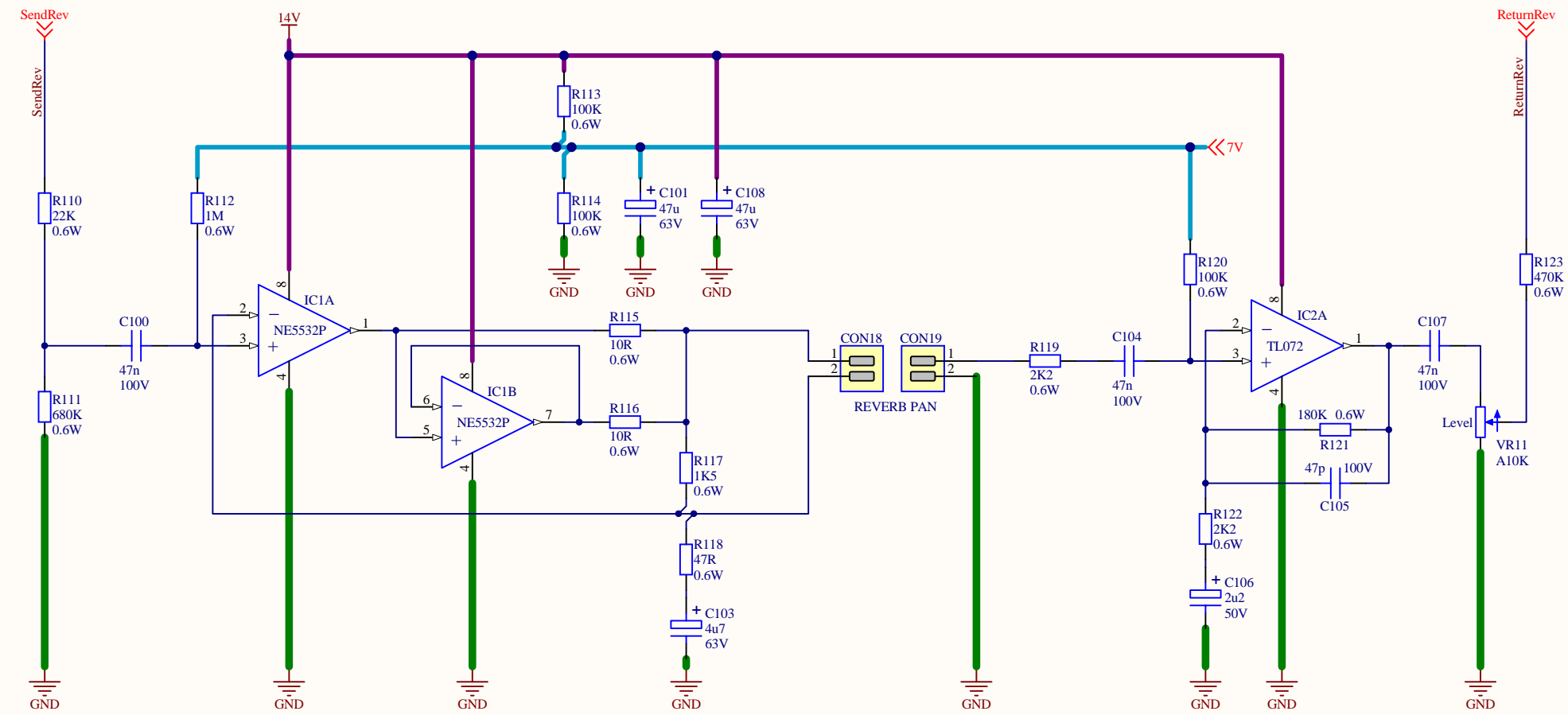


MA100-60-02

FX LOOP



REVERB



SAFETY CRITICAL COMPONENTS
COMPONENTS MUST BE REPLACED WITH THE SAME TYPE AND RATING ONLY.

MATERIAL		DIMENSIONS IN mm	
MATERIAL THICKNESS		TOLERANCE (UNLESS OTHERWISE STATED)	
DRAWN S.B.	DATE 23-01-08	HOLE DIA = +/- DIMENSIONAL = +/-	
CHECKED S.R.D.	DATE	MODEL	
APPROVED	DATE	MA100 MA50	



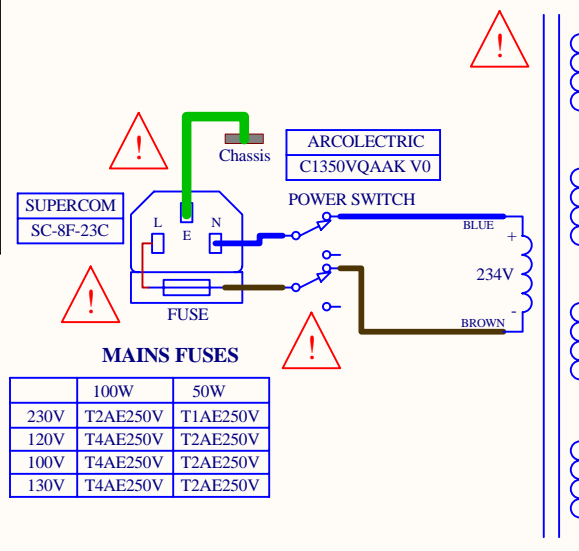
TITLE MAIN PCB FX LOOP & REVERB		
DWG. No. MA100-60-02	ISS 3	Sheet 2 of 5
Date: 25/01/2010		

3	MODS FOR PCB ISS 2	09-11-09
2	MODS	13-10-09
1	RELEASE	07-09-09
E1	MODS	16-06-09
ISS	ECO NUMBER	DATE

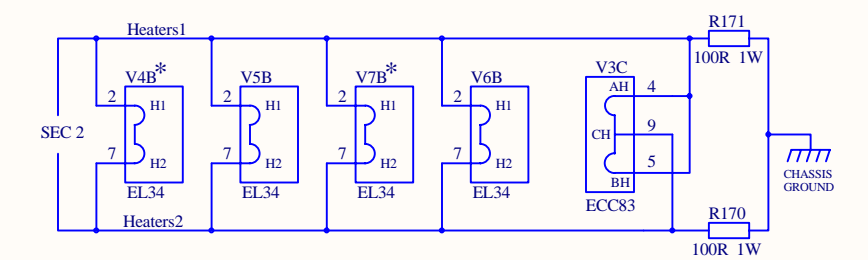
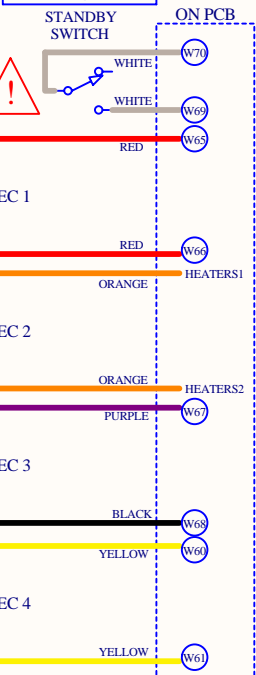
MA100-60-02

MAINS TRANSFORMERS

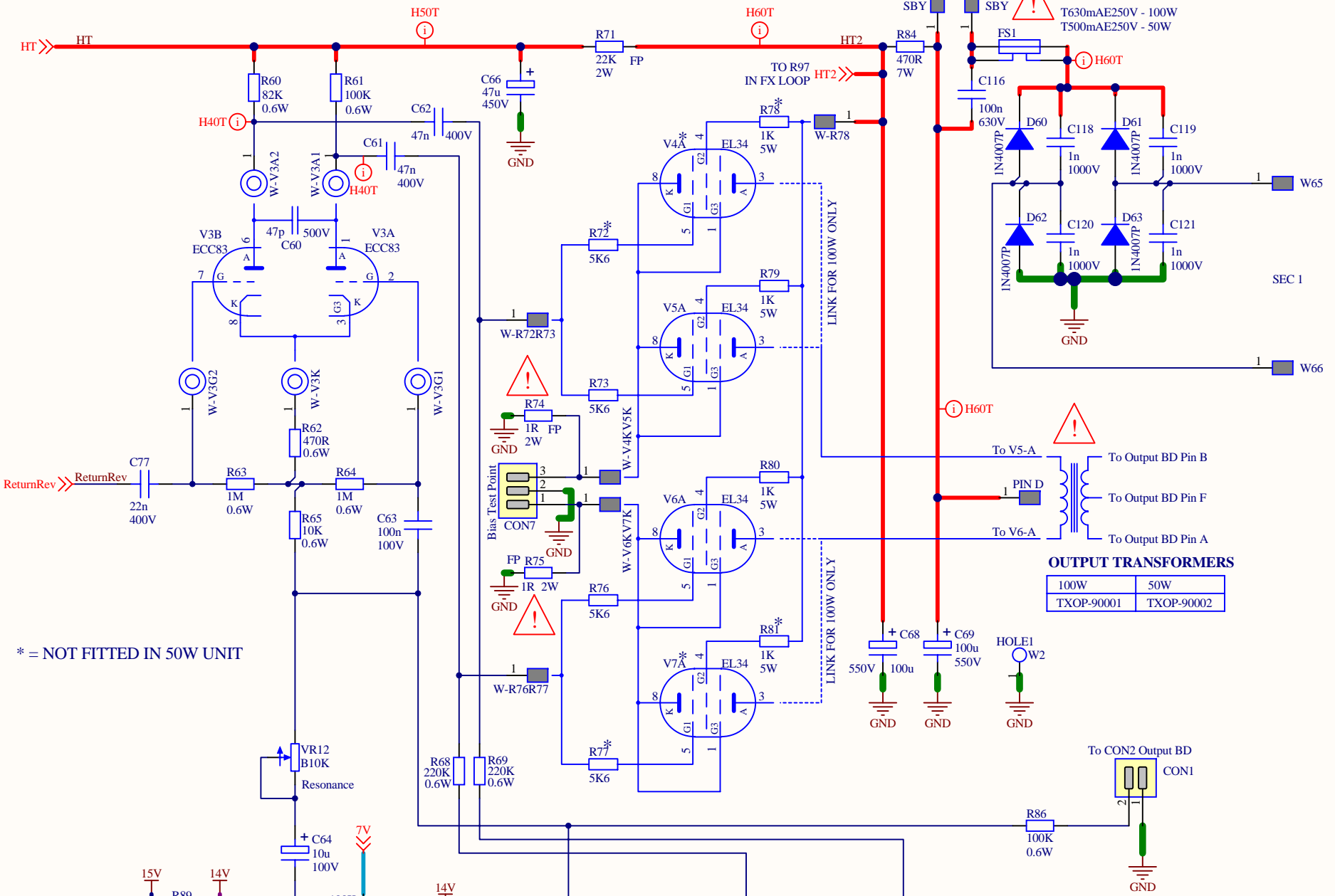
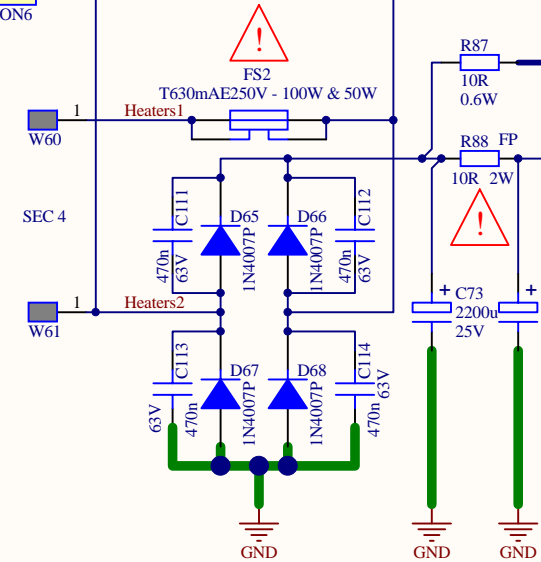
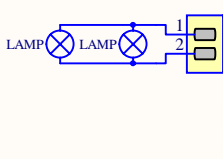
	100W HEAD	100W COMBO	50W HEAD	50W COMBO
230V	TXMA-91016	TXMA-91017	TXMA-91018	TXMA-91019
120V	TXMA-91020	TXMA-91021	TXMA-91022	TXMA-91023
100V	TXMA-91024	TXMA-91025	TXMA-91026	TXMA-91027
130V	TXMA-91028	TXMA-91029	TXMA-91030	TXMA-91031



ARCOLECTRIC C1350VQAQK V0



FOR VALVE ILLUMINATION



* = NOT FITTED IN 50W UNIT

OUTPUT TRANSFORMERS

	100W	50W
	TXOP-90001	TXOP-90002

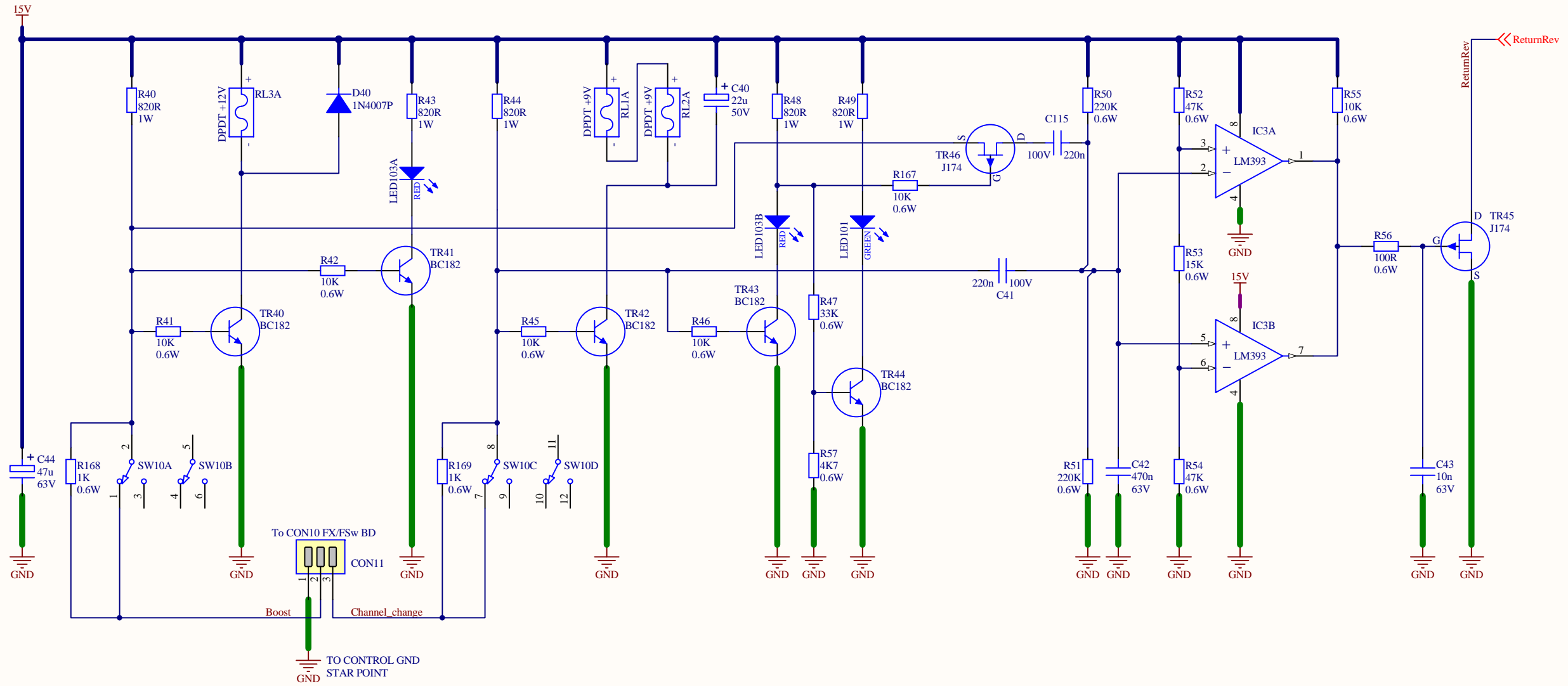
SAFETY CRITICAL COMPONENTS
COMPONENTS MUST BE REPLACED WITH THE SAME TYPE AND RATING ONLY.

3	MODS FOR PCB ISS 2	09-11-09
2	MODS	13-10-09
1	RELEASE	07-09-09
E1	MODS	16-06-09
ISS	ECO NUMBER	DATE

MATERIAL		DIMENSIONS IN mm	
MATERIAL THICKNESS		TOLERANCE (UNLESS OTHERWISE STATED)	
DRAWN S.B.	DATE 22-01-08	HOLE DIA = +/- DIMENSIONAL = +/-	
CHECKED S.R.D.	DATE	MODEL	
APPROVED	DATE	MA100 MA50	



TITLE		
MAIN PCB POWERAMP & PSU		
DWG. No.	ISS	Sheet
MA100-60-02	3	3 of 5
Date: 25/01/2010		



3	MODS FOR PCB ISS 2	09-11-09
2	MODS	13-10-09
1	RELEASE	07-09-09
E1	MODS	16-06-09
ISS	ECO NUMBER	DATE

MATERIAL		DIMENSIONS IN mm	
MATERIAL THICKNESS		TOLERANCE (UNLESS OTHERWISE STATED)	
DRAWN S.B.	DATE 22-01-08	HOLE DIA = +/- DIMENSIONAL = +/-	
CHECKED S.R.D.	DATE	MODEL	
APPROVED	DATE	MA100 MA50	



© MARSHALL AMPLIFICATION PLC
DENBIGH ROAD, BLETCHLEY, MILTON KEYNES, MK1 1DQ.
TEL (01908) 375411 FAX (01908) 376118

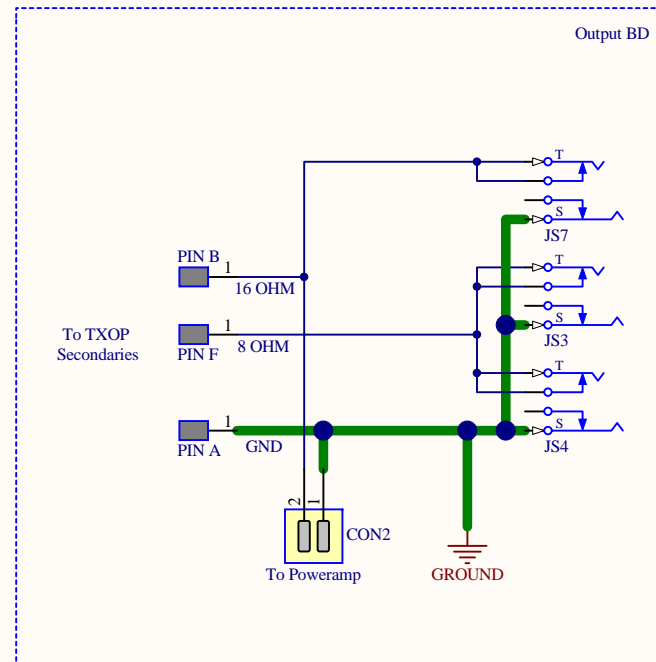
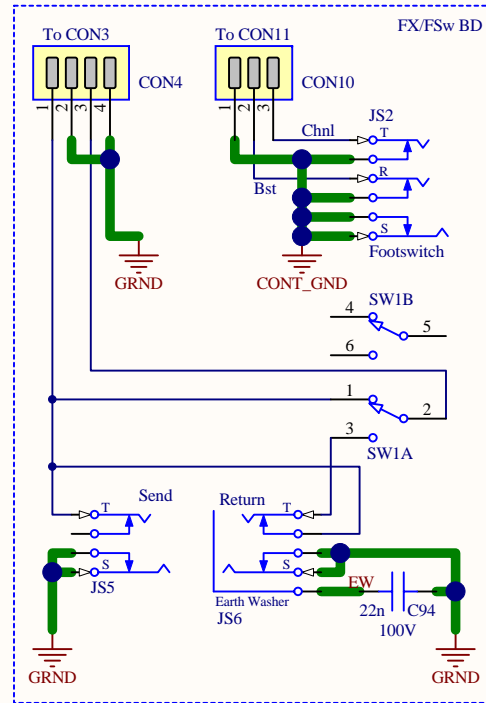
File: J:\MD48\100W Iss3-2\MA100-60-02-3-4.SchDoc

TITLE **MAIN PCB SWITCHING & MUTE**

DWG. No. **MA100-60-02** ISS **3** Sheet **4 of 5**

Date: 25/01/2010

MA100-60-02



3	MODS FOR PCB ISS 2	09-11-09
2	MODS	13-10-09
1	RELEASE	07-09-09
E1	MODS	16-06-09
ISS	ECO NUMBER	DATE

SAFETY CRITICAL COMPONENTS
COMPONENTS MUST BE REPLACED WITH THE SAME TYPE AND RATING ONLY.

MATERIAL		DIMENSIONS IN mm	
MATERIAL THICKNESS		TOLERANCE (UNLESS OTHERWISE STATED)	
DRAWN S.B.	DATE 22-01-08	HOLE DIA = +/- DIMENSIONAL = +/-	
CHECKED S.R.D.	DATE	MODEL	
APPROVED	DATE	MA100 MA50	

Marshall
AMPLIFICATION

© MARSHALL AMPLIFICATION PLC
DENBIGH ROAD, BLETCHLEY, MILTON KEYNES, MK1 1DQ.
TEL (01908) 375411 FAX (01908) 376118

File: J:\MD48\100W Iss3-2\MA100-60-02-3-5.SchDoc

TITLE **MAIN PCB DAUGHTER BOARDS**

DWG. No. **MA100-60-02** ISS **3** Sheet **5 of 5**

Date: 25/01/2010