

1	RELEASE	07-09-09
E1	MODS	16-06-09
D	MODS	20-03-09
C	MODS	23-02-09
ISS	ECO NUMBER	DATE

**SAFETY CRITICAL COMPONENTS**  
 COMPONENTS MUST BE REPLACED WITH THE SAME TYPE AND RATING ONLY.

MATERIAL		DIMENSIONS IN mm	
MATERIAL THICKNESS		TOLERANCE (UNLESS OTHERWISE STATED)	
DRAWN S.B.	DATE 18-01-08	HOLE DIA = +/- DIMENSIONAL = +/-	
CHECKED S.R.D.	DATE ?	MODEL	
APPROVED ?	DATE ?	<b>MA100 100W</b>	



© MARSHALL AMPLIFICATION PLC  
 DENBIGH ROAD, BLETCHLEY, MILTON KEYNES, MK1 1DQ.  
 TEL (01908) 375411 FAX (01908) 376118

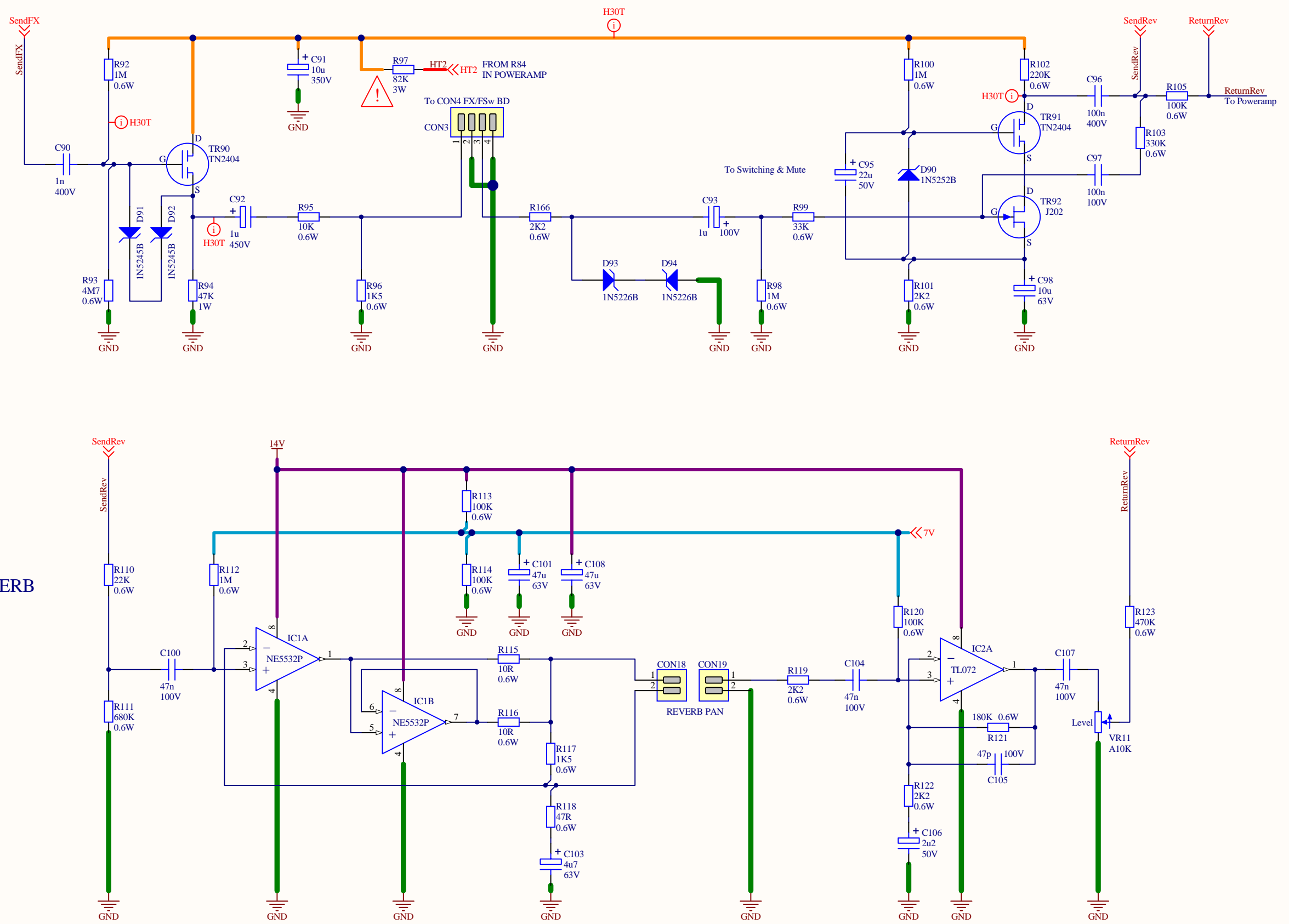
File: J:\MD48\100W Iss1\MA100-60-02-1-1.SchDoc

TITLE <b>MAIN PCB PREAMP</b>		
DWG. No. <b>MA100-60-02</b>	ISS <b>1</b>	Sheet <b>1 of 5</b>
Date: 10/09/2009		

MA100-60-02

FX LOOP

REVERB



**SAFETY CRITICAL COMPONENTS**  
COMPONENTS MUST BE REPLACED WITH THE SAME TYPE AND RATING ONLY.

MATERIAL		DIMENSIONS IN mm	
MATERIAL THICKNESS		TOLERANCE (UNLESS OTHERWISE STATED)	
DRAWN S.B.	DATE 23-01-08	HOLE DIA = +/- DIMENSIONAL = +/-	
CHECKED S.R.D.	DATE ?	MODEL	
APPROVED ?	DATE ?	<b>MA100 100W</b>	



TITLE <b>MAIN PCB FX LOOP &amp; REVERB</b>		
DWG. No. <b>MA100-60-02</b>	ISS <b>1</b>	Sheet <b>2 of 5</b>
Date: 10/09/2009		

1	RELEASE	07-09-09
E1	MODS	16-06-09
D	MODS	20-03-09
C	MODS	23-02-09
ISS	ECO NUMBER	DATE

MA100-60-02

**MAINS FUSES**

100W	50W
230V T2AE	T1AE
120V T4AE	T2AE
100V T4AE	T2AE
130V T4AE	T2AE

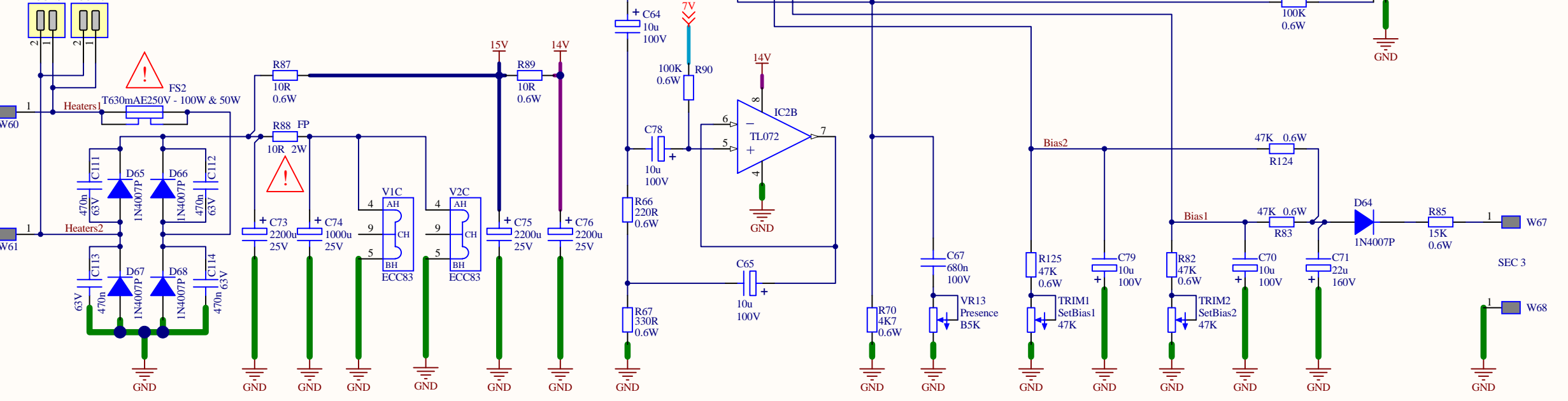
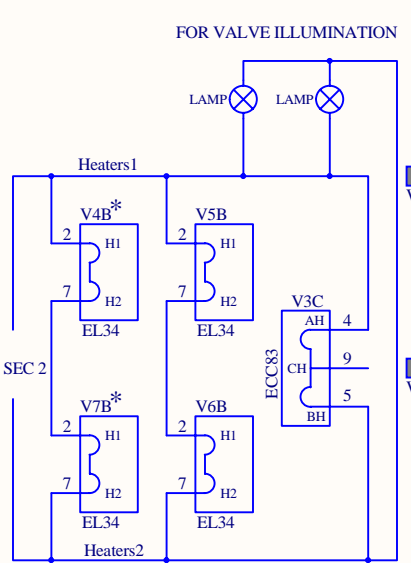
**MAINS TRANSFORMERS**

100W	50W
230V TXMA-90029	TXMA-90030
120V TXMA-90046	TXMA-90049
100V TXMA-90047	TXMA-90050
130V TXMA-90048	TXMA-90051

**OUTPUT TRANSFORMERS**

100W	50W
TXOP-90001	TXOP-90002

\* = NOT FITTED IN 50W UNIT



**SAFETY CRITICAL COMPONENTS**  
COMPONENTS MUST BE REPLACED WITH THE SAME TYPE AND RATING ONLY.

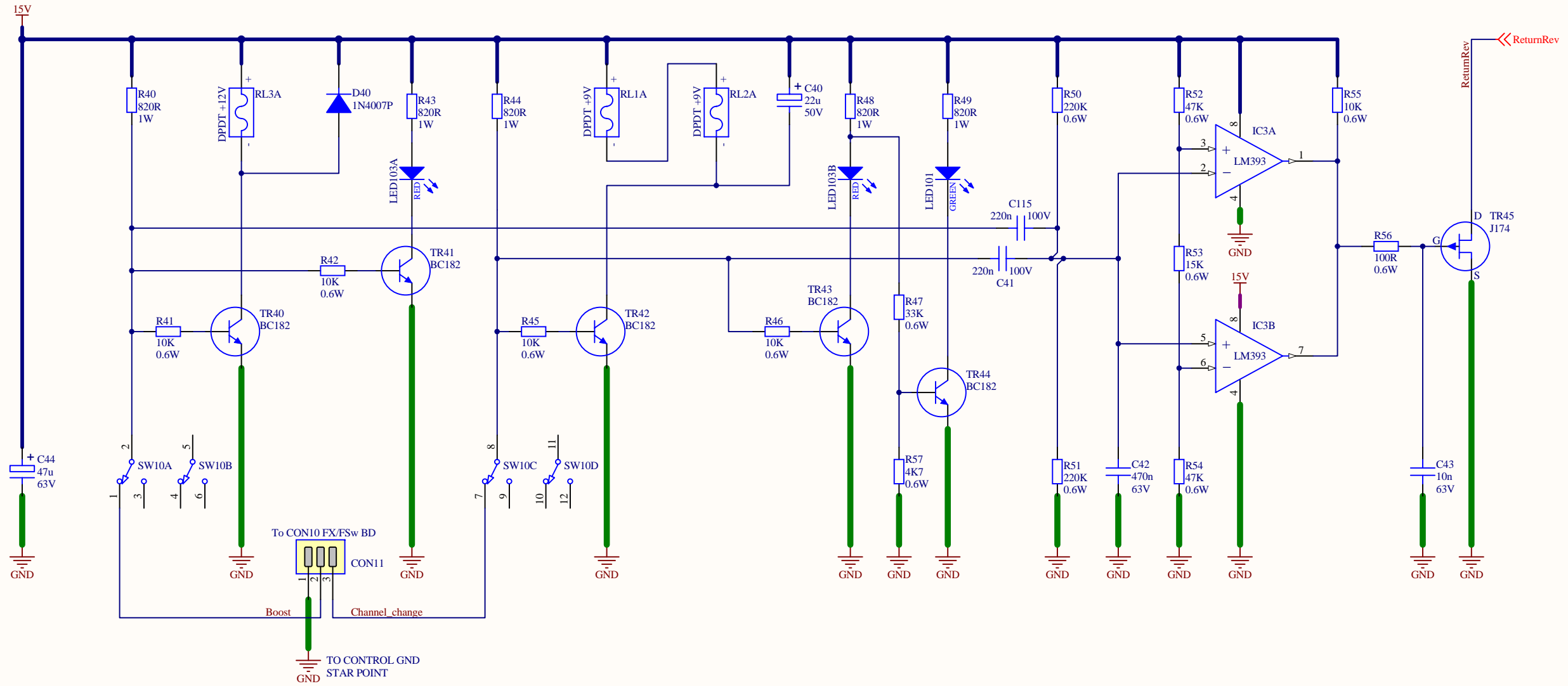
MATERIAL		DIMENSIONS IN mm	
MATERIAL THICKNESS		TOLERANCE (UNLESS OTHERWISE STATED)	
DRAWN S.B.	DATE 22-01-08	HOLE DIA = +/-	
CHECKED S.R.D.	DATE ?	DIMENSIONAL = +/-	
APPROVED ?	DATE ?	MODEL	
		<b>MA100 100W</b>	



TITLE		
<b>MAIN PCB POWERAMP &amp; PSU</b>		
DWG. No.	ISS	Sheet
<b>MA100-60-02</b>	<b>1</b>	<b>3 of 5</b>
Date: 11/09/2009		

1	RELEASE	07-09-09
E1	MODS	16-06-09
D	MODS	20-03-09
C	MODS	23-02-09
ISS	ECO NUMBER	DATE

MA100-60-02



1	RELEASE	07-09-09
E1	MODS	16-06-09
D	MODS	20-03-09
C	MODS	23-02-09
ISS	ECO NUMBER	DATE

MATERIAL		DIMENSIONS IN mm	
MATERIAL THICKNESS		TOLERANCE (UNLESS OTHERWISE STATED)	
DRAWN S.B.	DATE 22-01-08	HOLE DIA = +/- DIMENSIONAL = +/-	
CHECKED S.R.D.	DATE ?	MODEL	
APPROVED ?	DATE ?	MA100 100W	

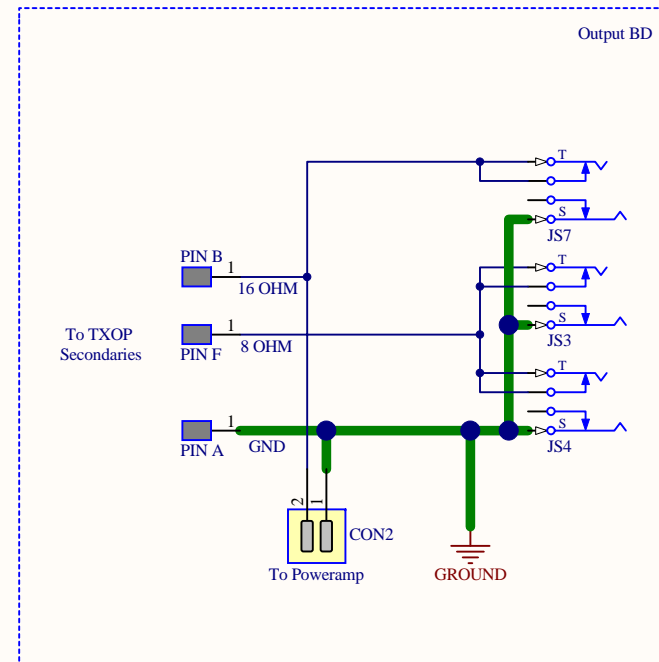
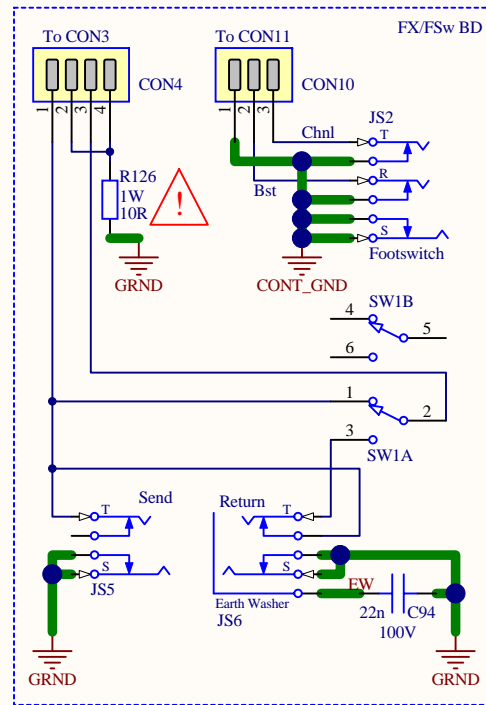


© MARSHALL AMPLIFICATION PLC  
DENBIGH ROAD, BLETCHLEY, MILTON KEYNES, MK1 1DQ.  
TEL (01908) 375411 FAX (01908) 376118

File: J:\MD48\100W Iss1\MA100-60-02-1-4.SchDoc

TITLE <b>MAIN PCB SWITCHING &amp; MUTE</b>		
DWG. No. <b>MA100-60-02</b>	ISS <b>1</b>	Sheet <b>4 of 5</b>
Date: 10/09/2009		

MA100-60-02



1	RELEASE	07-09-09
E1	MODS	16-06-09
D	MODS	20-03-09
C	MODS	23-02-09
ISS	ECO NUMBER	DATE

**SAFETY CRITICAL COMPONENTS**  
 COMPONENTS MUST BE REPLACED WITH THE SAME TYPE AND RATING ONLY.

MATERIAL		DIMENSIONS IN mm	
MATERIAL THICKNESS		TOLERANCE (UNLESS OTHERWISE STATED)	
DRAWN S.B.	DATE 22-01-08	HOLE DIA = +/- DIMENSIONAL = +/-	
CHECKED S.R.D.	DATE ?	MODEL	
APPROVED ?	DATE ?	MA100 100W	



© MARSHALL AMPLIFICATION PLC  
 DENBIGH ROAD, BLETCHLEY, MILTON KEYNES, MK1 1DQ.  
 TEL (01908) 375411 FAX (01908) 376118

File: J:\MD48\100W Iss1\MA100-60-02-1-5.SchDoc

TITLE <b>MAIN PCB DAUGHTER BOARDS</b>		
DWG. No. <b>MA100-60-02</b>	ISS <b>1</b>	Sheet <b>5 of 5</b>
Date: 10/09/2009		