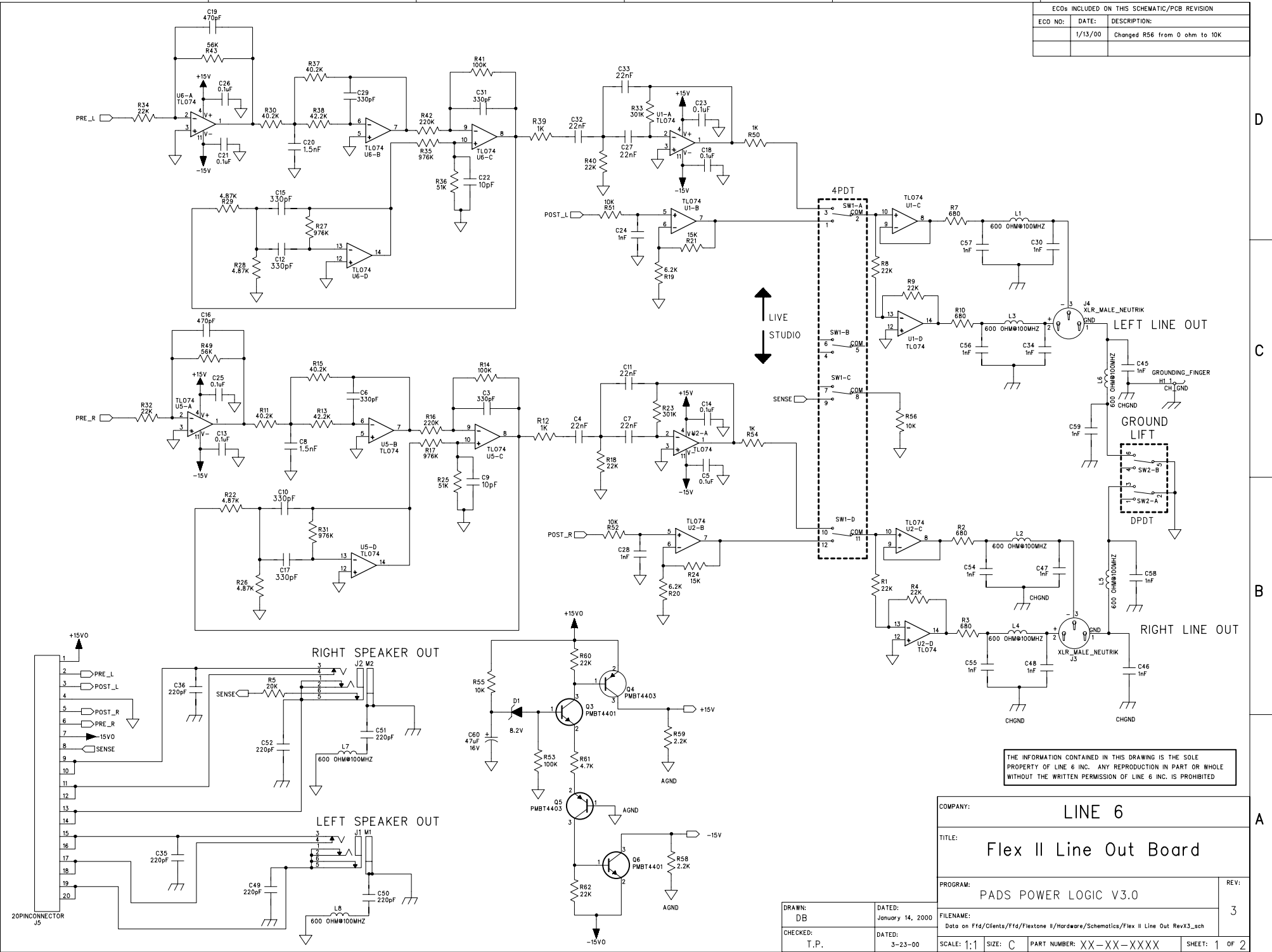


ECO's INCLUDED ON THIS SCHEMATIC/PCB REVISION		
ECO NO:	DATE:	DESCRIPTION:
	1/13/00	Changed R56 from 0 ohm to 10K



THE INFORMATION CONTAINED IN THIS DRAWING IS THE SOLE PROPERTY OF LINE 6 INC. ANY REPRODUCTION IN PART OR WHOLE WITHOUT THE WRITTEN PERMISSION OF LINE 6 INC. IS PROHIBITED

COMPANY:		LINE 6	
TITLE: Flex II Line Out Board			
PROGRAM: PADS POWER LOGIC V3.0			REV: 3
DRAWN: DB	DATED: January 14, 2000	FILENAME: Data on F:\d\clients\F14\Flexstone II\Hardware\Schematics\Flex II Line Out RevX3_sch	
CHECKED: T.P.	DATED: 3-23-00	SCALE: 1:1	SIZE: C
PART NUMBER: XX-XX-XXXX		SHEET: 1 OF 2	

6

5

4

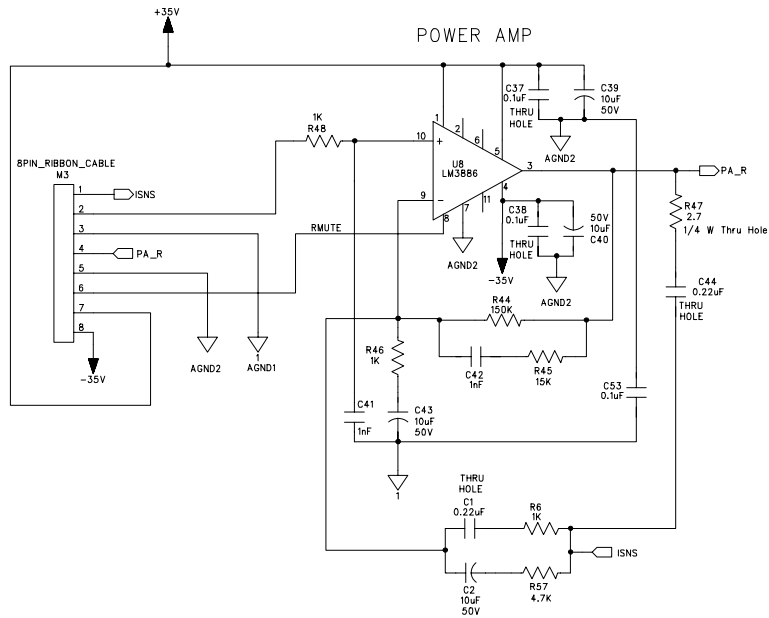
3

2

1

ECO#s INCLUDED ON THIS SCHEMATIC/PCB REVISION		
ECO NO:	DATE:	DESCRIPTION:

THE INFORMATION CONTAINED IN THIS DRAWING IS THE SOLE PROPERTY OF LINE 6 INC. ANY REPRODUCTION IN PART OR WHOLE WITHOUT THE WRITTEN PERMISSION OF LINE 6 INC. IS PROHIBITED



COMPANY:		LINE 6	
TITLE:		FLEXTONE II LINE OUT/ POWER AMP BOARD	
PROGRAM:		PADS POWER LOGIC V3.0	
DRAWN:		REV:	
DB		3	
DATED:		DATE:	
January 14, 2000		3-23-00	
CHECKED:		FILENAME:	
T.P.		Data on Ffd/Clients/Ffd/Flextone II/Hardware/Schematics/Flex II Line Out Rev3.0sch	
SCALE: 1:1	SIZE: C	PART NUMBER: XX-XX-XXXX	SHEET: 2 OF 2

A

B

C

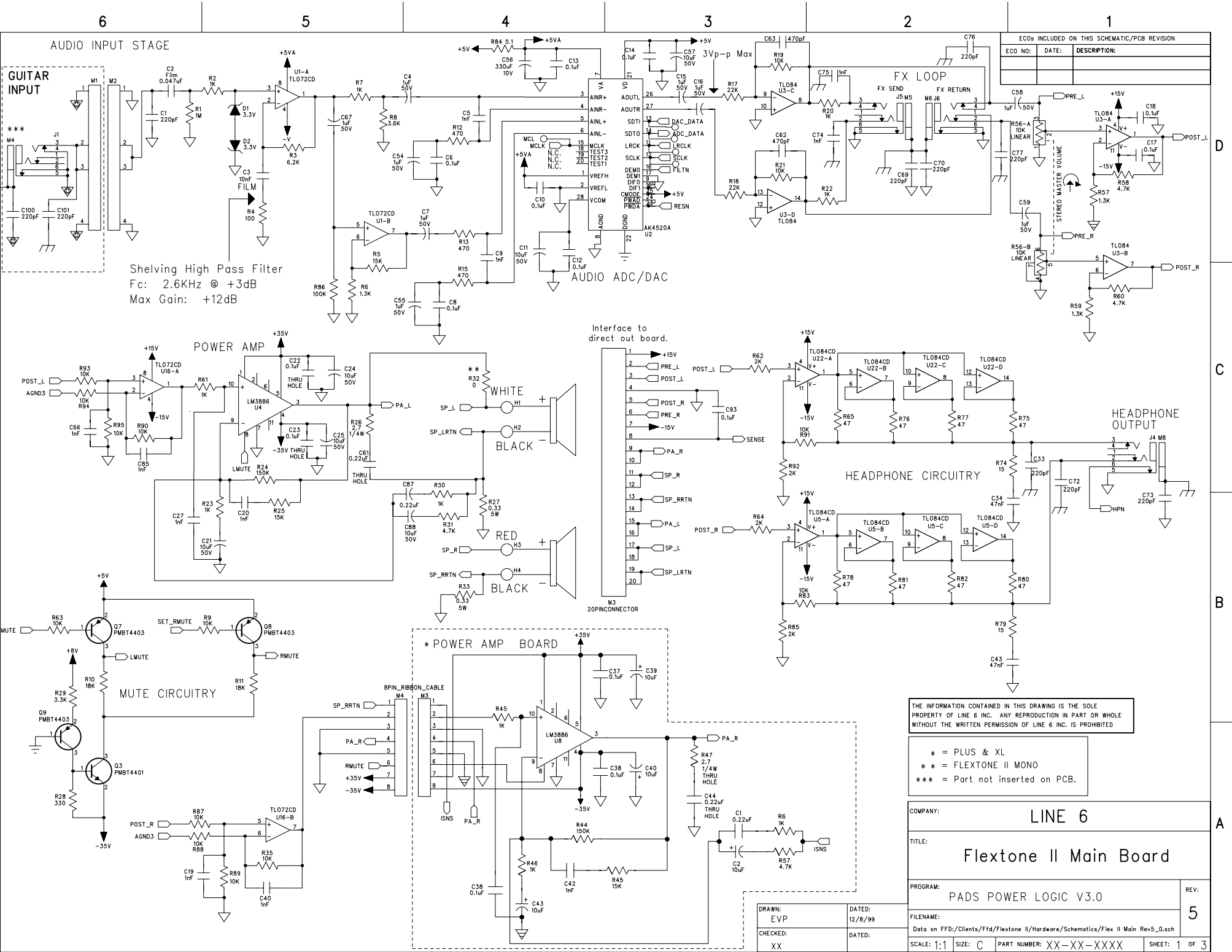
D

A

B

C

D



ECOs INCLUDED ON THIS SCHEMATIC/PCB REVISION		
ECO NO:	DATE:	DESCRIPTION:

Shelving High Pass Filter
 Fc: 2.6KHz @ +3dB
 Max Gain: +12dB

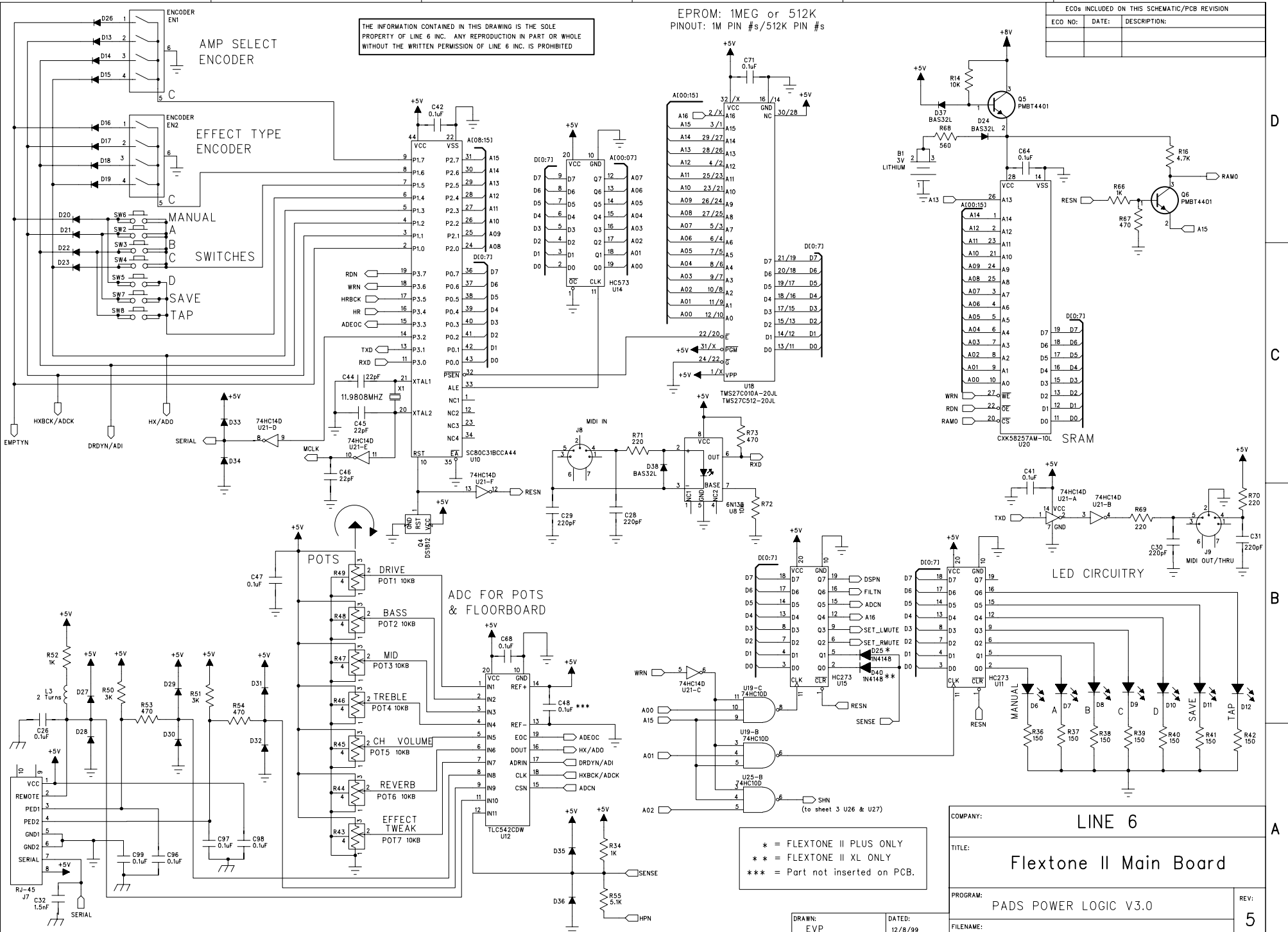
THE INFORMATION CONTAINED IN THIS DRAWING IS THE SOLE PROPERTY OF LINE 6 INC. ANY REPRODUCTION IN PART OR WHOLE WITHOUT THE WRITTEN PERMISSION OF LINE 6 INC. IS PROHIBITED

* = PLUS & XL
 ** = FLEXTONE II MONO
 *** = Part not inserted on PCB.

COMPANY:	LINE 6		
TITLE:	Flexitone II Main Board		
PROGRAM:	PADS POWER LOGIC V3.0		
FILENAME:	Data on FFD:/Clients/FFd/Flexitone II/Hardware/Schematics/Flex II Main Rev5_0.sch		
DRAWN:	EVP	DATED:	12/8/99
CHECKED:	XX	DATED:	
SCALE:	1:1	SIZE:	C
PART NUMBER:	XX-XX-XXXX	SHEET:	1 OF 3

THE INFORMATION CONTAINED IN THIS DRAWING IS THE SOLE PROPERTY OF LINE 6 INC. ANY REPRODUCTION IN PART OR WHOLE WITHOUT THE WRITTEN PERMISSION OF LINE 6 INC. IS PROHIBITED

ECOs INCLUDED ON THIS SCHEMATIC/PCB REVISION		
ECO NO:	DATE:	DESCRIPTION:

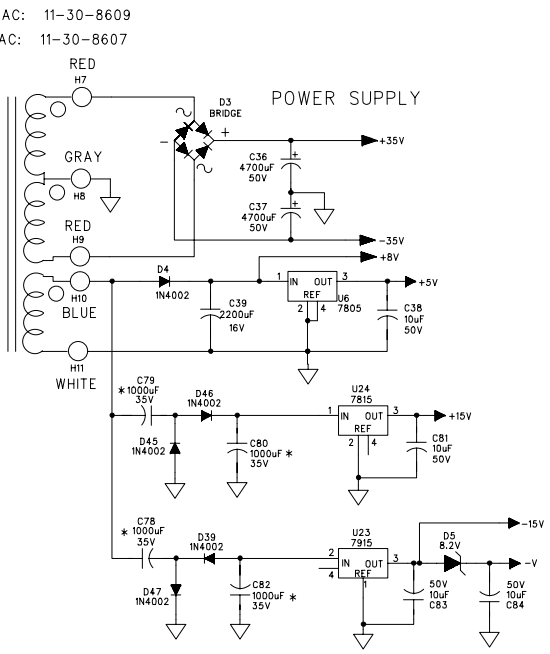
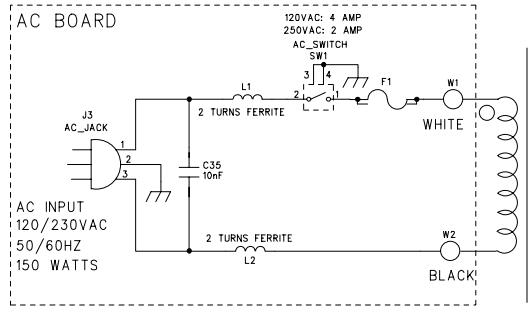


* = FLEXTONE II PLUS ONLY
 ** = FLEXTONE II XL ONLY
 *** = Part not inserted on PCB.

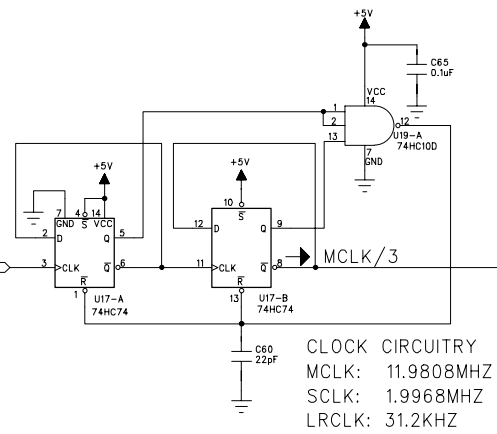
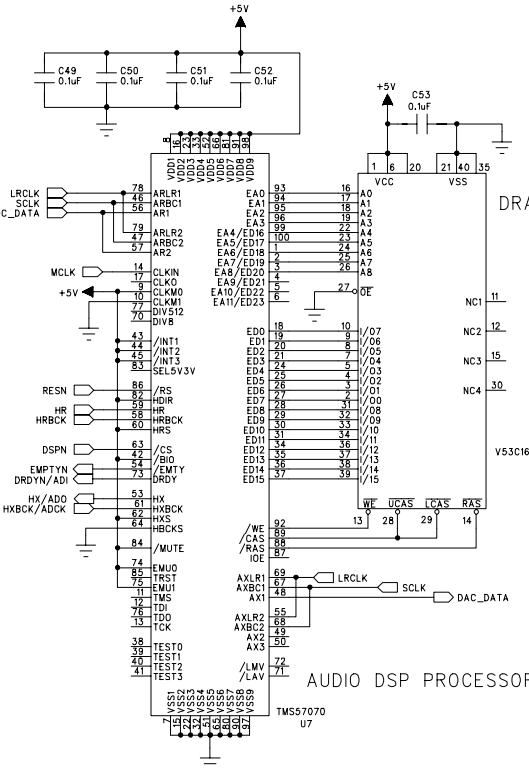
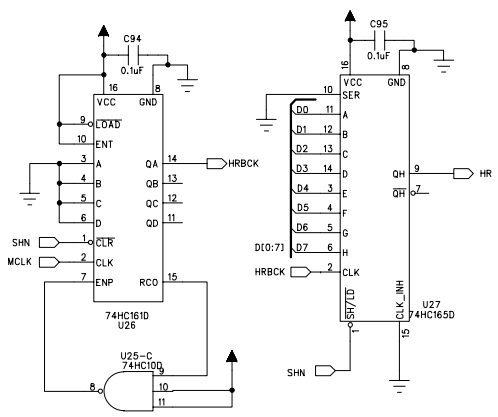
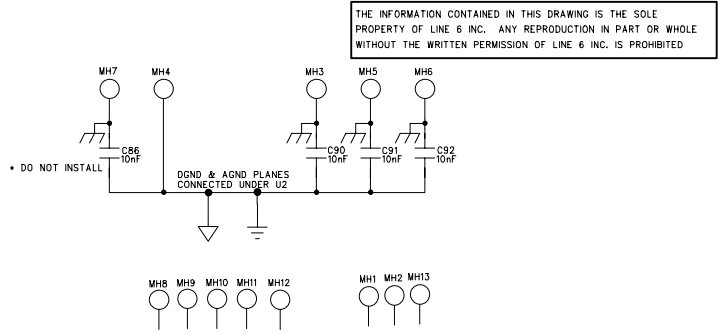
COMPANY:	LINE 6	
TITLE:	Flexitone II Main Board	
PROGRAM:	PADS POWER LOGIC V3.0	
FILENAME:	Data on FFD:/Clients/Ffd/Flexitone II/Hardware/Schematics/Flex II Main Rev5_0.sch	
SCALE: 1:1	SIZE: C	PART NUMBER: 35-XX-XXXX
DRAWN: EVP	DATED: 12/8/99	REV: 5
CHECKED: XX	DATED:	SHEET: 2 OF 3

REMOTE JACK FOR FB4 AND FLOORBOARD

ECOs INCLUDED ON THIS SCHEMATIC/PCB REVISION		
ECO NO:	DATE:	DESCRIPTION:



* Decal on PCB is for 470uF/25V.



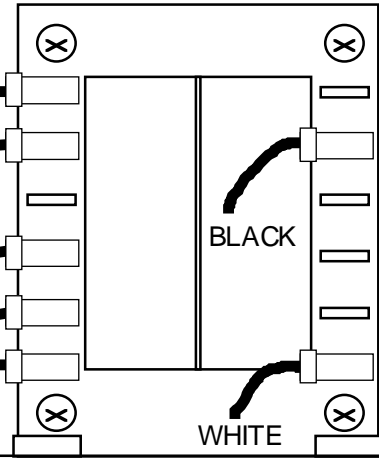
COMPANY:	LINE 6		
TITLE:	FLEXTONE II		
PROGRAM:	PADS POWER LOGIC V3.0		
FILENAME:	Data on FFD:/Clients/FFd/Flexitone II/Hardware/Schematics/Flex II Main Rev5_0.sch		
SCALE: 1:1	SIZE: C	PART NUMBER: XX-XX-XXXX	SHEET: 3 OF 3

DRAWN: EVP	DATED: 12/8/99
CHECKED: INITIALS	DATED: MO Day, Year

REV: 5

TO MAIN PCB

WHITE
BLUE
RED
GRAY
RED



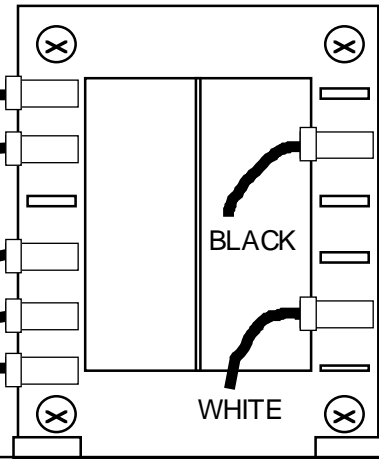
CHASSIS

FOR 120 V WITH **SUHIL** TRANSFORMER
PART # 4-49-8607 *before wiring, [click here](#)*

FROM AC BOARD

TO MAIN PCB

WHITE
BLUE
RED
GRAY
RED



CHASSIS

FOR 100 V WITH **SUHIL** TRANSFORMER
PART # 4-49-8607

FROM AC BOARD

Note orientation of connector

FAST FORWARD DESIGNS/ LINE 6

5/30/01

Document created with MacDraw Pro

File location: MAC: DATA\FFD STUFF \ GA \Flextone \Flextone Production Notes \ Flextone II Part assembly

SHEET 1 of 1 Flextone II Transformer wiring

THE INFORMATION CONTAINED IN THIS DRAWING IS THE SOLE PROPERTY OF FAST FORWARD DESIGNS INC. ANY REPRODUCTION IN PART OR WHOLE WITHOUT THE WRITTEN PERMISSION OF FAST FORWARD DESIGNS INC IS PROHIBITED.

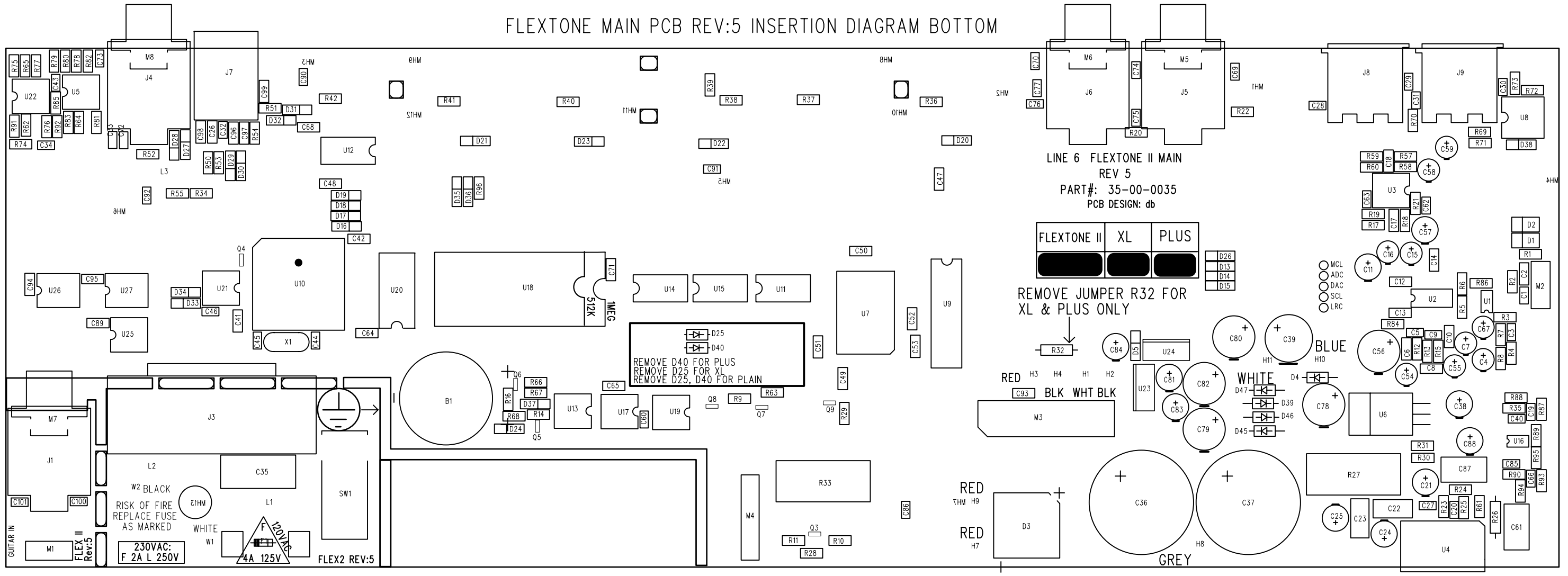
Flexitone 2 Transformer Secondary Wiring Voltages

As a precaution to ensure proper transformer wiring, this page explains what voltages the secondary wires need to see. Before wiring up a new transformer, you may want to measure the voltages on the secondary taps for verification.

The blue and white wires on the Flexitone 2 need to see about 9.75 VAC between them.

The red wires on the Flexitone 2 should have about 59 VAC across them. The gray wire is the center tap between the red wires, so there should be about 29.5 VAC between either red wire and the gray wire.

FLEXTONE MAIN PCB REV:5 INSERTION DIAGRAM BOTTOM



LINE 6 FLEXTONE II MAIN
REV 5
PART#: 35-00-0035
PCB DESIGN: db

FLEXTONE II	XL	PLUS
<input type="checkbox"/>	<input type="checkbox"/>	<input type="checkbox"/>

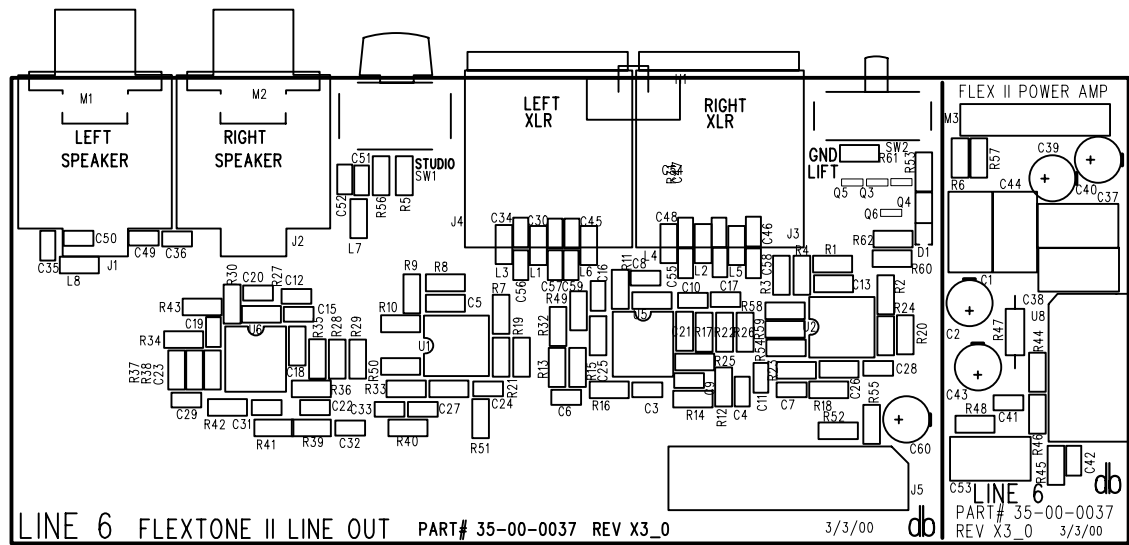
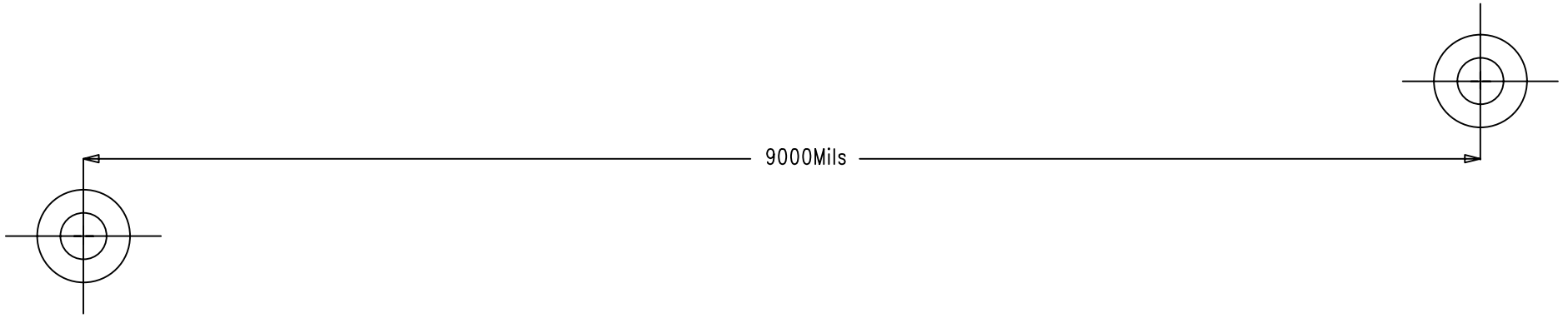
D26
D13
D14
D15

REMOVE JUMPER R32 FOR XL & PLUS ONLY

REMOVE D40 FOR PLUS
REMOVE D25 FOR XL
REMOVE D25, D40 FOR PLAIN

230VAC:
F 2A L 250V

SILKSCREEN BOTTOM



SILKSCREEN TOP

THE INFORMATION CONTAINED IN THIS DRAWING IS THE SOLE PROPERTY OF LINE 6 INC. ANY REPRODUCTION IN PART OR WHOLE WITHOUT THE WRITTEN PERMISSION OF LINE 6 INC. IS PROHIBITED

COMPANY:	LINE 6	
PROGRAM:	PADS POWER PCB 3	
FILE:	Data on Ffd\Clients\FFD\Flextone II\Hardware\pcb\FlexII Line Out RevX3_0.pcb	
SCALE: 1:1	REV: X3_0	DATE: MARCH 3, 2000
TITLE:	PART# 35-00-0037 FLEXTONE II LINE OUT/POWER AMP BOARD	

Flexitone 2 Parts List

Including: Reference Designators

Level	Seq	Component-Item	Component-Description	Opr	UOM		Qty-Per-Parent
=====							
		Parent Item: 99 FLEX 2 120	FLEXTONE 2 120V AMP FINAL				
1	10	11-20-1200	Speaker 12", Standard				1.000000
		(or 11-20-1208	Speaker 12", Celestion special design)				
1	20	11-30-8607	TRANS. 11/120 V				1.000000
1	25	21-34-0012	Cable Input jack assy				1.000000
1	30	21-37-1160	CABLE,PWR UL/CSA,SJT,18awg,Blk EL-302 grnded plug,EL701 Sockt				1.000000
1	(Larger Size)	24-18-4250	FUSE 4 Amp 250V Normal Blow	0.25"	by 1.25"		1.000000
	(smaller size)	24-19-4250	Fuse 4 Amp 125V Normal Blow	5	x 20mm		
1	50	24-21-0001	SWITCH cap for 24-24-0010 PB0850000RED	0	EA	.0 A Y	1.000000
1	60	24-21-1122	Flexitone II SWITCH CAP	0	EA	.0 A Y	1.000000
1	70	30-00-9358	#3-1/2 PHILIPS OVAL SCREW BLK. Sustitute for 30-00-0358	0	EA	.0 A Y	4.000000
1	80	30-00-0607	6-32x7/16 Phil Panhead zinc mach. screw w/ext. lock washer	0	EA	.0 A Y	15.000000
1	90	30-00-1008	Screw for transformer 10-24x1/2 phil pan zinc	0	EA	.0 A Y	4.000000
1	100	30-00-1016	SCREW PPM 10-24 X 1 black for speaker mounting	0	EA	.0 A Y	4.000000
1	110	30-00-1032	SCREW OVAL PHIL NICKEL 10-32 x 1-1/4	0	EA	.0 A Y	4.000000
1	120	30-00-1124	10-32 x 1-1/2 black waxed zinc	0	EA	.0 A Y	2.000000
1	130	30-00-1632	6-32x3/8 philips panhead screw taptite black	0	EA	.0 A Y	2.000000
1	140	30-03-0010	#10 Finishing washer for transformer zinc	0	EA	.0 A Y	4.000000
1	150	30-03-0110	FINISHING WASHER #10 NICKEL PLATED	0	EA	.0 A Y	4.000000

1	160 30-06-0024	NUT 10-24 with nylon insert	0 EA	.0 A Y	4.000000
1	170 30-24-0003	CABLE TIE Panduit 3 7/8" clear Panduit PLT1M-M	0 EA	.0 A Y	4.000000
1	180 30-40-2825	TRANSFORMER GASKET, FLEXTONE	0 EA	.0 A Y	1.000000
1	190 30-42-0130	Overlay, Flexitone II	0 EA	.0 A Y	1.000000
1	200 30-45-2000	Knob Taiwan Knob	0 EA	.0 A Y	10.000000
1	210 30-51-0030	Metal Top Flexitone	0 EA	.0 A Y	1.000000
1	215 30-51-0032	Metal Cover Plate Flexitone	0 EA	.0 A Y	1.000000
1	220 30-51-0131	Metal Bottom, Flex II	0 EA	.0 A Y	1.000000
1	230 30-51-6013	HEAT SINK EXTRUSION - 3 HOLES	0 EA	.0 A Y	1.000000
1	235 30-51-0133	Flexitone II Back Panel Plate	0 EA	.0 A Y	1.000000
1	240 30-57-0580	HANDLE/STRAP Heavy Duty, Black	0 EA	.0 A Y	1.000000
1	250 30-57-0581	END CAPS,Black,Textured Finish	0 EA	.0 A Y	2.000000
1	260 30-60-2000	LOGO, Line 6	0 EA	.0 A Y	1.000000
1	270 30-60-2011	LOGO, Flexitone II Name Badge	0 EA	.0 A Y	1.000000
1	275 30-63-1111	FM 1/8" thick 1/2" sq. adhesive on 1 side,3m# 4508	0 EA	.0 A Y	4.000000
1	280 40-00-0130	Manual, User's, Flexitone II	0 EA	.0 A Y	1.000000
1	290 40-00-0132	Chart, Patch, Flexitone II	0 EA	.0 A Y	1.000000
1	300 40-00-1000	Line 6 Warranty Information Ca rd	0 EA	.0 A Y	1.000000
2	10 40-10-0043L	FLEXTONE TOP LEFT FOAM BLOCK	0 EA	.0 A Y	1.000000

2	20	40-10-0043R	FLEXTONE TOP RIGHT FOAM BLOCK	0	EA	.0	A	Y	1.000000
2	30	40-10-0043B	Foam Block,Bottom-Flextone	0	EA	.0	A	Y	2.000000
1	325	40-10-0140	Box, Shipping, Flextone II Inner	0	EA	.0	A	Y	1.000000
1	330	40-10-0141	Box, Shipping, Flextone II Outer Sleeve	0	EA	.0	A	Y	1.000000
1	350	40-20-0010	Plastic Bag,43"x38"x.004,clear	0	EA	.0	A	Y	1.000000
1	360	40-20-0011	Plastic Bag, 10 x 16, 2 mil	0	EA	.0	A	Y	1.000000
1	370	40-25-0020	Label, Quality Inspection	0	EA	.0	A	Y	1.000000
1	375	40-25-0475	Label, speaker	0	EA	.0	A	Y	1.000000
1	380	40-30-0020	Label,Serial No.1wX.5L,2accros Gloss,Silver Duropoly 613	0	EA	.0	A	Y	2.000000
1	385	45-00-0022	EPROM, Programmed, Flextone II Eprom,1 meg, 32 pin, 70 NS,	0	EA	.0	A	Y	1.000000
1	390	50-00-0035	PCBA, Flextone II Main						Before ordering this board: CLICK HERE
2	5	01-04-0002	RES 0K 1/8W 5% 1206 SM	0	EA	.0	A	Y	1.000000
2	10	01-04-0051	RES 5.1R 1/8W 5% 1206 SM	0	EA	.0	A	Y	1.000000
2	15	01-04-0101	Ref: R84 RES 100 OHM 5% 1/8W	0	EA	.0	A	Y	1.000000
2	20	01-04-0102	Ref: R4 RES 1K 1/8W 5% 1206 SM	0	EA	.0	A	Y	10.000000
2	25	01-04-0103	Ref: R2,R7,R20,R22-23,R52,R30,R34,R61,R66 RES 10K 1/8W 5% 1206 SM	0	EA	.0	A	Y	12.000000
2	30	01-04-0104	Ref: R9,R14,R19,R21,R35,R63,R72,R83,R89,R90,R91,R95 Removed R87,R88,R93,R94 per EO #0004501 RES 100K 1/8W 5% 1206 SM	0	EA	.0	A	Y	1.000000

INDENTED BILL OF MATERIAL

2	35 01-04-0105	Ref: R86 RES 1M 1/8W 5% 1206 SM	0 EA	.0	A Y	1.000000
2	40 01-04-0132	Ref: R1 RES 1.3K 1/8W 5% 1206 SM	0 EA	.0	A Y	3.000000
2	45 01-04-0150	Ref: R6,R57,R59 RES 15R 1/8W 5% 1206 SM	0 EA	.0	A Y	2.000000
2	50 01-04-0151	Ref: R74,R79 RES 150R 1/8W 5% 1206 SM	0 EA	.0	A Y	7.000000
2	55 01-04-0153	Ref: R36-R37-R38-R39-R40-R41-R42 RES CHIP 15K 5% 1/8W 1206, Thick Film	0 EA	.0	A Y	2.000000
2	60 01-04-0154	Ref: R5,R25 RES 150K 1/8W 5% 1206 SM	0 EA	.0	A Y	1.000000
2	65 01-04-0183	Ref: R24 RES 18K 1/8W 5% 1206 SM	0 EA	.0	A Y	2.000000
2	70 01-04-0202	Ref: R10, R11 RES 2K 1/8W 5% 1206 SM	0 EA	.0	A Y	4.000000
2	75 01-04-0221	Ref: R62,R64,R85,R92 RES 220R 1/8W 5% 1206 SM	0 EA	.0	A Y	3.000000
2	80 01-04-0223	Ref: R69,R70,R71 RES 22K 1/8W 5% 1206 SM	0 EA	.0	A Y	2.000000
2	85 01-04-0302	Ref: R17,R18 RES 3K 1/8W 5% 1206 SM	0 EA	.0	A Y	2.000000
2	90 01-04-0331	Ref: R50,R51 RES 330R 1/8W 5% 1206 SM	0 EA	.0	A Y	1.000000
2	95 01-04-0332	Ref: R28 RES 3.3K 1/8W 5% 1206 SM	0 EA	.0	A Y	1.000000
2	100 01-04-0362	Ref: R29 RES 3.6K 1/8W 5% 1206 SM	0 EA	.0	A Y	1.000000

Ref: R8

INDENTED BILL OF MATERIAL

2	105 01-04-0470	RES 47R 1/8W 5% 1206 SM	0 EA	.0 A Y	8.000000
2	110 01-04-0471	RES 470R 1/8W 5% 1206 SM	0 EA	.0 A Y	7.000000
		Ref: R65,R75,R76,R77,R78,R80,R81,R82			
2	115 01-04-0472	RES 4.7K 1/8W 5% 1206 SM	0 EA	.0 A Y	8.000000
		Ref: R12,R13,R15,R53,R54,R67,R73			
2	120 01-04-0512	RES 5.1K 1/8W 5% 1206 SM	0 EA	.0 A Y	1.000000
		Ref: R16,R31,R58,R60,R87,R88,R93,R94 Added R87,R88,R93,R94 added per EO #0004501			
2	125 01-04-0561	RES 560R 1/8W 5% 1206 SM	0 EA	.0 A Y	1.000000
		Ref: R55			
2	130 01-04-0622	RES 6.2K 1/8W 5% 1206 SM	0 EA	.0 A Y	1.000000
		Ref: R68			
2	135 01-12-0027	RES 2.7R 1/4W 5% DIP TH	0 EA	.0 A Y	1.000000
		Ref: R3			
2	140 01-20-5033	Resistor, 0.33 5% 5W TH	0 EA	.0 A Y	2.000000
		Ref: R26			
2	145 01-48-0103	POT 10K MONO LINEAR D-SHAFT-25	0 EA	.0 A Y	7.000000
		Ref: R27,R33 Changed from 01-20-2330 on ECO 0002501 1/25/00			
	mm				
2	150 01-48-4103	POT 10K Stereo Linear	0 EA	.0 A Y	1.000000
		Ref: R43-R49			
2	155 03-01-0103	CAP 10nF 250V 20% CER DISC TH	0 EA	.0 A Y	1.000000
		Ref: R56			
2	160 03-10-0331	CAP 330uF 10V 20% RADIAL ELEC	0 EA	.0 A Y	1.000000
		Ref: C35			
	TH				
2	165 03-12-0227	CAP 2200uF 16V 20% RADIAL POLA	0 EA	.0 A Y	1.000000
		Ref: C56			
	R-ELEC TH				
2	170 03-16-0108	CAP 1000uF 35V 20% RADIAL ELEC	0 EA	.0 A Y	4.000000
		Ref: C39			
	TH				
		Ref: C78-80,C82			

INDENTED BILL OF MATERIAL

QTY	PN	DESCRIPTION	UOM	EA	PRICE	UNIT PRICE	TOTAL PRICE
2	175 03-18-0105	CAP 1uF 50V 20% RADIAL ELEC TH	0	EA	.0	A Y	9.000000
		Ref: C4,C7,C15,C16,C54,C55,C58,C59,C67					
2	180 03-18-0106 TH	CAP 10uF 50V 20% RADIAL ELEC	0	EA	.0	A Y	10.000000
		Ref: C11,C21,C24,C25,C38,C57,C81,C83,C84,C88					
2	185 03-18-0478 TH	CAP 4700uF 50V 20% RADIAL ELEC	0	EA	.0	A Y	2.000000
		Ref: C36,C37					
2	190 03-36-0104	CAP 0.1uF 50V 20% ESTR TH	0	EA	.0	A Y	2.000000
		Ref: C22,C23					
2	195 03-36-0224	CAP 0.22uF 50V 20% ESTR TH	0	EA	.0	A Y	2.000000
		Ref: C61,C87					
2	200 03-45-0473	CAP 47nF 16V 20% 1206 FILM SM	0	EA	.0	A Y	1.000000
		Ref: C2					
2	205 03-46-0104	CAP 0.1uF 50V 20% 1206 X7R SM	0	EA	.0	A Y	30.000000
		Ref: C6,C8,C10,C12-14,C17-18,C26,C41,C42,C47-53,C64,C65,C68,C71 C89,C93-99					
2	210 03-52-0102	CAP 1nF 50V min 20% max 0805	0	EA	.0	A Y	10.000000
		Ref: C5,C9,C19,C20,C27,C40,C66,C74-75,C85					
2	215 03-52-0103 X7R	CAP 10nF 50V SMT	0	EA	.0	A Y	5.000000
		Ref: C3,C86,C90-92					
2	220 03-52-0152 20% max	Capacitor,1.5nf,50v, 0805	0	EA	.0	A Y	1.000000
		Ref: C32					
2	225 03-52-0220	CAP 22pF 50V min 20% max 0805	0	EA	.0	A Y	4.000000
		Ref: C44,C45,C46,C60					
2	230 03-52-0221	CAP 220pF 50V 20%	0	EA	.0	A Y	14.000000
		Ref: C1,C33,C28-31,C69-70,C72-73,C76-77,C100-101					
2	235 03-52-0471	CAP 470pF 50V SMT	0	EA	.0	A Y	2.000000
		Ref: C62,C63					
2	240 03-52-0473 SMT	Capacitor, 47nf, 50v min. 20%	0	EA	.0	A Y	2.000000
		Ref: C34,C43					
2	245 06-00-4148	DIODE 4.0 N/S 100V SINGLE	0	EA	.0	A Y	2.000000

INDENTED BILL OF MATERIAL

=====

JUNCTION 1N4148

2	250 06-04-4002	Ref: D25,D40 Diode, Mid Power TH	0 EA	.0	A Y	5.000000
2	255 06-16-6200	Ref: D4,D39,D45-47 Diode Bridge, TH Vishay p/n PB64	0 EA	.0	A Y	1.000000
2	260 06-20-4148	Ref: D3 DIODE, SMALL SIGNAL, GREEN	0 EA	.0	A Y	25.000000
2	261 06-28-0310	Ref: D13-24,D26-38 Diode Zener 3.3 volt SMT Philips PMLL5226B,DL-35 pkg	0 EA	.0	A Y	2.000000
2	265 06-28-0820	Ref: D,D2 DIODE 8.2V Zener DL-35	0 EA	.0	A Y	1.000000
2	270 09-10-4401	Ref: D5 TRANS NPN Small Signal TH	0 EA	.0	A Y	3.000000
2	275 09-10-4403	Ref: Q3,Q5,Q6 TRANS PNP Small Signal TH	0 EA	.0	A Y	3.000000
2	280 11-00-1198	Ref: Q7-9 11.98080 MHz crystal in HC-49/ u holder	0 EA	.0	A Y	1.000000
2	285 11-10-2020	Ref: X1 Wide band choke 1-5 turns	0 EA	.0	A Y	3.000000
2	290 11-40-0030	Ref: L1,L2,L3 Battery BR2325-1HG	0 EA	.0	A Y	1.000000
2	295 12-02-7805	Ref: B1 Change from 30-11-2325 to 11-40-0030 ECO 0002501 1/25/00 Regulator, +5v, 1.5 Amp TH	0 EA	.0	A Y	1.000000
2	300 12-02-7815	Ref: U6 REGULATOR, +15V, 1AMP	0 EA	.0	A Y	1.000000
2	305 12-02-7915	Ref: U24 REGULATOR, -15V, 1AMP	0 EA	.0	A Y	1.000000
2	310 12-30-3886	Ref: U23 Power Amp, 50w TH	0 EA	.0	A Y	1.000000

INDENTED BILL OF MATERIAL

=====						
2	315 12-54-0072	Ref: U4 IC, OP-AMP TL072D	0 EA	.0	A Y	2.000000
2	320 12-54-0084	Ref: U1,U16 IC OP AMP Quad, surface mount, mfg p/n# TL084CD	0 EA	.0	A Y	3.000000
2	325 12-64-0542	Ref: U3,U5,U22 IC ADC 8 bit	0 EA	.0	A Y	1.000000
2	330 12-64-4520	Ref: U12 IC STEREO 20 bit CODEC SMT	0 EA	.0	A Y	1.000000
2	335 15-26-1000	Ref: U2 Eprom,1 meg, 32 pin, 70 NS, TH	0 EA	.0	A Y	1.000000
2	340 15-40-6138	Ref: U18 IC Opto-isolator	0 EA	.0	A Y	1.000000
2	345 15-62-0010	Ref: U8 IC Triple 3-Input NAND Gate	0 EA	.0	A Y	2.000000
2	350 15-62-0014	Ref: U19,U25 IC Hex Schmitt Inverter	0 EA	.0	A Y	1.000000
2	355 15-62-0074	Ref: U21 DUAL D-TYPE FLIP-FLOP SMT	0 EA	.0	A Y	1.000000
2	360 15-62-0161	Ref: U17 IC 4 bit binary counter	0 EA	.0	A Y	1.000000
2	365 15-62-0165	Ref: U26 IC 8 bit shift register	0 EA	.0	A Y	1.000000
2	370 15-62-0273 R SMT	Ref: U27 OCTICAL LATCH D TYPE WITH CLEA	0 EA	.0	A Y	2.000000
2	375 15-62-0393	Ref: U11,U15 8 BIT DIVIDER SMT	0 EA	.0	A Y	1.000000
2	380 15-62-0573 rent	Ref: U13 IC Octal Latch D-Type *Transpa	0 EA	.0	A Y	1.000000
		Ref: U14				

INDENTED BILL OF MATERIAL

=====						
2	385 15-70-6256	DRAM FLEXTONE ISSI P/N IS4IC16257-35K	0 EA	.0	A Y	1.000000
		Ref: U9				
2	390 15-72-0256	IC SRAM 32K X 8	0 EA	.0	A Y	1.000000
		Ref: U20				
2	395 15-84-8031	IC Microprocessor 8031	0 EA	.0	A Y	1.000000
		Ref: U10				
2	400 15-86-7070	IC DASP	0 EA	.0	A Y	1.000000
		Ref: U7				
2	405 15-92-1812	RESET CHIP DS1812R-5/T&R	0 EA	.0	A Y	1.000000
		Ref: Q4				
2	410 18-02-0034	YELLOW LED TH L34YDLK	0 EA	.0	A Y	7.000000
		Ref: D6-12				
2	415 21-00-4420	Jack 1/4 inch earthing washer JB0661-K01-3	0 EA	.0	A Y	4.000000
		Ref: [M5-M8]				
2	420 21-00-6616	JACK 1/4" phone Stereo Female 6 pin	0 EA	.0	A Y	4.000000
		Ref: J1,J4-J6				
2	425 21-04-5075	JACK MIDI 5 pin DIN female LN 05075	0 EA	.0	A Y	2.000000
		Ref: J8,J9				
2	430 21-14-0001	POWER AC receptacle standard grounded SS-7B-1	0 EA	.0	A Y	1.000000
		Ref: J3				
2	435 21-16-0045	CON RJ-45 female 8 conductor	0 EA	.0	A Y	1.000000
		Ref: J7				
2	440 21-20-0204	Header 4-pin 2MM	0 EA	.0	A Y	2.000000
		Ref: M1-2				
2	445 21-23-1002	CON 10 X 2 Male Rcpt 100mI spa cing	0 EA	.0	A Y	1.000000
		Ref: M3				
2	450 21-30-0008	Cable Assy, Ribbon 8 Pin	0 EA	.0	A Y	1.000000
		Ref: M4				
2	455 21-34-1101	Cable, Transformer primary	0 EA	.0	A Y	1.000000

INDENTED BILL OF MATERIAL

=====						
		Ref: W1				
2	460 21-34-1102	Cable, Transformer primary	0 EA	.0	A Y	1.000000
		Ref: W2				
2	465 21-34-1806	Cable Assy, Earthing	0 EA	.0	A Y	1.000000
		Ref: H11				
2	470 21-34-2421	Cable, Transformer secondary Flexitone II	0 EA	.0	A Y	1.000000
		Ref: H11				
2	475 21-34-2422	Cable, Transformer secondary Flexitone II	0 EA	.0	A Y	3.000000
		Ref: H3,H7,H9				
2	480 21-34-2423	Cable, Transformer secondary Flexitone II	0 EA	.0	A Y	1.000000
		Ref: H8				
2	485 21-34-2424	Cable, Transformer secondary Flexitone II	0 EA	.0	A Y	1.000000
		Ref: H10				
2	490 21-36-0482	Positive Speaker cable	0 EA	.0	A Y	1.000000
		Ref: H1				
2	495 21-36-2260	Negative Speaker cable Flexitone II	0 EA	.0	A Y	2.000000
		Ref: H2,H4				
2	500 21-42-0032	Socket 32 pin th	0 EA	.0	A Y	1.000000
		Ref: [U18]				
2	505 21-48-9521	FUSE HOLDER CLIP p/n 19521	0 EA	.0	A Y	2.000000
		Ref: [F1]				
2	510 24-12-0025	ENCODER SHAFT 16 STEP	0 EA	.0	A Y	2.000000
		Ref: EN1,EN2				
2	515 24-18-4250	FUSE 4 Amp 250V Normal Blow 0.25" by 1.25"	0 EA	.0	A Y	1.000000
		Ref: F1				
2	520 24-24-0010	SWITCH RF power	0 EA	.0	A Y	1.000000
		Ref: SW1				
2	525 24-31-1105	TACK SWITCH	0 EA	.0	A Y	7.000000
		Ref: SW2-SW8				
2	530 30-00-0607	6-32x7/16 Phil Panhead zinc	0 EA	.0	A Y	1.000000

INDENTED BILL OF MATERIAL

 mach. screw w/ext. lock washer

Ref: [U6]

2	535 30-03-0060	Nylon Washer for #6 screw ID .140" OD 5/16 thick 1/32	0 EA	.0 A Y	1.000000
2	540 30-12-2210	STANDOFF 1/2" F 6-32 Full THD. F.F. Keystone 2210	0 EA	.0 A Y	1.000000
Ref: [U6]					
1	420 50-00-0224	Cabinet, FLEXTONE & Plus	0 EA	.0 A Y	1.000000
2	10 30-00-0621	Screw for speaker grill	0 EA	.0 A Y	6.000000
2	20 30-00-0812	Screw,#8x3/4,Philips Truss(A) T/S,Black Oxide W/WAX (CORNER)	0 EA	.0 A Y	8.000000
2	30 30-06-1024	NUT 10-24 X 5/16 Tee Plain steel, Tape/reel package	0 EA	.0 A Y	4.000000
2	40 30-27-0022	EXTRUDED VINYL PIPING Flexitone OFF WHITE EMBOSSED WELT 180-2	0 FT	.0 A Y	1.850000
2	45 30-27-1010	VENT PLASTIC TRIM	0 EA	.0 A Y	2.000000
2	50 30-30-1520	TEXTURED CORNERS, w/ a notch & 2 legs	0 EA	.0 A Y	2.000000
2	60 30-30-1530	TEXTURED CORNERS, W/ 2 legs & a cut out	0 EA	.0 A Y	2.000000
2	70 30-36-0001	FAB Vinyl Black-Axsys 212 ASC03 Black Bronco 54" Wide	0 YD	.0 A Y	.833300
2	80 30-39-5587	SPEAKER GRILL CLOTH FLEXTONE Mfg # FN558701	0 YD	.0 A Y	.340000
2	90 30-48-0655	Rubber Feet, Flexitone	0 EA	.0 A Y	4.000000

Flexitone 2 Plus Parts List

Including: Reference Designators

Level	Seq	Component-Item	Component-Description	Opr	UOM		Qty-Per-Parent
=====							
Parent Item: 99 FLX2 PLUS120 FLEXTONE 2 PLUS 120V AMP FINAL							
1	10	11-20-1200	Speaker 12", Standard (or 11-20-1208 Speaker 12", Celestion special design)				1.000000
1	20	11-30-8607	TRANS. 11/120 V	0	EA	.0 A Y	1.000000
1	25	21-34-0012	Cable Input jack assy	0	EA	.0 A Y	1.000000
1	30	21-37-1160	CABLE,PWR UL/CSA,SJT,18awg,Blk EL-302 grnded plug,EL701 Sockt	0	EA	.0 A Y	1.000000
1		(Larger Size)24-18-4250 (smaller size)24-19-4250	FUSE 4 Amp 250V Normal Blow Fuse 4 Amp 125V Normal Blow			0.25" by 1.25" 5 x 20mm	1.000000
1	50	24-21-0001	SWITCH cap for 24-24-0010 PB0850000RED	0	EA	.0 A Y	1.000000
1	60	24-21-1122	Flexitone II SWITCH CAP	0	EA	.0 A Y	1.000000
1	70	30-00-9358	#3-1/2 PHILIPS OVAL SCREW BLK. Sustitute for 30-00-0358	0	EA	.0 A Y	4.000000
1	80	30-00-0607	6-32x7/16 Phil Panhead zinc mach. screw w/ext. lock washer	0	EA	.0 A Y	15.000000
1	90	30-00-1008	Screw for transformer 10-24x1/2 phil pan zinc	0	EA	.0 A Y	4.000000
1	100	30-00-1016	SCREW PPM 10-24 X 1 black	0	EA	.0 A Y	4.000000
1	110	30-00-1032	SCREW OVAL PHIL NICKEL 10-32 x 1-1/4	0	EA	.0 A Y	4.000000
1	120	30-00-1124	10-32 x 1-1/2 black waxed zinc	0	EA	.0 A Y	2.000000
1	130	30-00-1632	6-32x3/8 philips panhead screw taptite black	0	EA	.0 A Y	2.000000
1	140	30-03-0010	#10 Finishing washer for transformer zinc	0	EA	.0 A Y	4.000000
1	150	30-03-0110	FINISHING WASHER #10 NICKEL PLATED	0	EA	.0 A Y	4.000000

INDENTED BILL OF MATERIAL

=====						
1	160 30-06-0024	NUT 10-24 with nylon insert	0 EA	.0	A Y	4.000000
1	170 30-24-0003	CABLE TIE Panduit 3 7/8" clear Panduit PLT1M-M	0 EA	.0	A Y	4.000000
1	180 30-40-2825	TRANSFORMER GASKET, FLEXTONE	0 EA	.0	A Y	1.000000
1	190 30-42-0130	Overlay, Flexitone II	0 EA	.0	A Y	1.000000
1	200 30-45-2000	Knob	0 EA	.0	A Y	10.000000
1	210 30-51-0030	Metal Top Flexitone	0 EA	.0	A Y	1.000000
1	220 30-51-0131	Metal Bottom, Flex II	0 EA	.0	A Y	1.000000
1	230 30-51-6013	HEAT SINK EXTRUSION - 3 HOLES	0 EA	.0	A Y	2.000000
1	240 30-57-0580	HANDLE/STRAP Heavy Duty, Black	0 EA	.0	A Y	1.000000
1	250 30-57-0581	END CAPS,Black,Textured Finish	0 EA	.0	A Y	2.000000
1	260 30-60-2000	LOGO, Line 6	0 EA	.0	A Y	1.000000
1	270 30-60-2012	LOGO, Flexitone II Plus Name Badge	0 EA	.0	A Y	1.000000
1	275 30-63-1111	FM 1/8" thick 1/2" sq. adhesive on 1 side,3m# 4508	0 EA	.0	A Y	4.000000
1	280 40-00-0130	Manual, User's, Flexitone II	0 EA	.0	A Y	1.000000
1	290 40-00-0132	Chart, Patch, Flexitone II	0 EA	.0	A Y	1.000000
1	300 40-00-1000	Line 6 Warranty Information Ca rd	0 EA	.0	A Y	1.000000
2	10 40-10-0043L	FLEXTONE TOP LEFT FOAM BLOCK	0 EA	.0	A Y	1.000000
2	20 40-10-0043R	FLEXTONE TOP RIGHT FOAM BLOCK	0 EA	.0	A Y	1.000000
2	30 40-10-0043B	Foam Block,Bottom-Flexitone	0 EA	.0	A Y	2.000000

INDENTED BILL OF MATERIAL

=====						
1	325 40-10-0140	Box, Shipping, Flexitone II Inner	0 EA	.0	A Y	1.000000
1	330 40-10-0141	Box, Shipping, Flexitone II Outer Sleeve	0 EA	.0	A Y	1.000000
1	350 40-20-0010	Plastic Bag, 43"x38"x.004, clear	0 EA	.0	A Y	1.000000
1	360 40-20-0011	Plastic Bag, 10 x 16, 2 mil	0 EA	.0	A Y	1.000000
1	370 40-25-0020	Label, Quality Inspection	0 EA	.0	A Y	1.000000
1	375 40-25-0223	Label, Flexitone II Speaker Cab	0 EA	.0	A Y	1.000000
1	380 40-25-0475	Label, speaker	0 EA	.0	A Y	1.000000
1	390 40-30-0020	Label, Serial No.1wX.5L, 2accros Gloss, Silver Duropoly 613	0 EA	.0	A Y	2.000000
1	395 45-00-0022	EPROM, Programmed, Flexitone II	0 EA	.0	A Y	1.000000
2	10 15-26-1000	Eprom, 1 meg, 32 pin, 70 NS, TH	0 EA	.0	A Y	1.000000
1	400 50-00-0035	PCBA, Flexitone II Main	Before ordering this Board: CLICK HERE			1.000000
2	5 01-04-0002	RES 0K 1/8W 5% 1206 SM	0 EA	.0	A Y	1.000000
2	10 01-04-0051	RES 5.1R 1/8W 5% 1206 SM	0 EA	.0	A Y	1.000000
2	15 01-04-0101	Ref: R84 RES 100 OHM 5% 1/8W	0 EA	.0	A Y	1.000000
2	20 01-04-0102	Ref: R4 RES 1K 1/8W 5% 1206 SM	0 EA	.0	A Y	10.000000
2	25 01-04-0103	Ref: R2, R7, R20, R22-23, R52, R30, R34, R61, R66 RES 10K 1/8W 5% 1206 SM	0 EA	.0	A Y	12.000000
2	30 01-04-0104	Ref: R9, R14, R19, R21, R35, R63, R72, R83, R89, R90, R91, R95 Removed R87, R88, R93, R94 per EO #0004501 RES 100K 1/8W 5% 1206 SM	0 EA	.0	A Y	1.000000
2	35 01-04-0105	Ref: R86 RES 1M 1/8W 5% 1206 SM	0 EA	.0	A Y	1.000000

INDENTED BILL OF MATERIAL

2	40	01-04-0132	Ref: R1 RES 1.3K 1/8W 5% 1206 SM	0	EA	.0	A	Y	3.000000
2	45	01-04-0150	Ref: R6,R57,R59 RES 15R 1/8W 5% 1206 SM	0	EA	.0	A	Y	2.000000
2	50	01-04-0151	Ref: R74,R79 RES 150R 1/8W 5% 1206 SM	0	EA	.0	A	Y	7.000000
2	55	01-04-0153	Ref: R36-R37-R38-R39-R40-R41-R42 RES CHIP 15K 5% 1/8W 1206, Thick Film	0	EA	.0	A	Y	2.000000
2	60	01-04-0154	Ref: R5,R25 RES 150K 1/8W 5% 1206 SM	0	EA	.0	A	Y	1.000000
2	65	01-04-0183	Ref: R24 RES 18K 1/8W 5% 1206 SM	0	EA	.0	A	Y	2.000000
2	70	01-04-0202	Ref: R10, R11 RES 2K 1/8W 5% 1206 SM	0	EA	.0	A	Y	4.000000
2	75	01-04-0221	Ref: R62,R64,R85,R92 RES 220R 1/8W 5% 1206 SM	0	EA	.0	A	Y	3.000000
2	80	01-04-0223	Ref: R69,R70,R71 RES 22K 1/8W 5% 1206 SM	0	EA	.0	A	Y	2.000000
2	85	01-04-0302	Ref: R17,R18 RES 3K 1/8W 5% 1206 SM	0	EA	.0	A	Y	2.000000
2	90	01-04-0331	Ref: R50,R51 RES 330R 1/8W 5% 1206 SM	0	EA	.0	A	Y	1.000000
2	95	01-04-0332	Ref: R28 RES 3.3K 1/8W 5% 1206 SM	0	EA	.0	A	Y	1.000000
2	100	01-04-0362	Ref: R29 RES 3.6K 1/8W 5% 1206 SM	0	EA	.0	A	Y	1.000000
2	105	01-04-0470	Ref: R8 RES 47R 1/8W 5% 1206 SM	0	EA	.0	A	Y	8.000000

INDENTED BILL OF MATERIAL

=====						
		Ref: R65,R75,R76,R77,R78,R80,R81,R82				
2	110 01-04-0471	RES 470R 1/8W 5% 1206 SM	0 EA	.0	A Y	7.000000
		Ref: R12,R13,R15,R53,R54,R67,R73				
2	115 01-04-0472	RES 4.7K 1/8W 5% 1206 SM	0 EA	.0	A Y	8.000000
		Ref: R16,R31,R58,R60,R87,R88,R93,R94				
		Added R87,R88,R93,R94 added per EO #0004501				
2	120 01-04-0512	RES 5.1K 1/8W 5% 1206 SM	0 EA	.0	A Y	1.000000
		Ref: R55				
2	125 01-04-0561	RES 560R 1/8W 5% 1206 SM	0 EA	.0	A Y	1.000000
		Ref: R68				
2	130 01-04-0622	RES 6.2K 1/8W 5% 1206 SM	0 EA	.0	A Y	1.000000
		Ref: R3				
2	135 01-12-0027	RES 2.7R 1/4W 5% DIP TH	0 EA	.0	A Y	1.000000
		Ref: R26				
2	140 01-20-5033	Resistor, 0.33 5% 5W TH	0 EA	.0	A Y	2.000000
		Ref: R27,R33				
		Changed from 01-20-2330 on ECO 0002501 1/25/00				
2	145 01-48-0103	POT 10K MONO LINEAR D-SHAFT-25	0 EA	.0	A Y	7.000000
		mm				
		Ref: R43-R49				
2	150 01-48-4103	POT 10K Stereo Linear	0 EA	.0	A Y	1.000000
		Ref: R56				
2	155 03-01-0103	CAP 10nF 250V 20% CER DISC TH	0 EA	.0	A Y	1.000000
		Ref: C35				
2	160 03-10-0331	CAP 330uF 10V 20% RADIAL ELEC	0 EA	.0	A Y	1.000000
		TH				
		Ref: C56				
2	165 03-12-0227	CAP 2200uF 16V 20% RADIAL POLA	0 EA	.0	A Y	1.000000
		R-ELEC TH				
		Ref: C39				
2	170 03-16-0108	CAP 1000uF 35V 20% RADIAL ELEC	0 EA	.0	A Y	4.000000
		TH				
		Ref: C78-80,C82				
2	175 03-18-0105	CAP 1uF 50V 20% RADIAL ELEC TH	0 EA	.0	A Y	9.000000

INDENTED BILL OF MATERIAL

=====							
2	180 03-18-0106 TH	Ref: C4,C7,C15,C16,C54,C55,C58,C59,C67 CAP 10uF 50V 20% RADIAL ELEC	0	EA	.0	A Y	10.000000
2	185 03-18-0478 TH	Ref: C11,C21,C24,C25,C38,C57,C81,C83,C84,C88 CAP 4700uF 50V 20% RADIAL ELEC	0	EA	.0	A Y	2.000000
2	190 03-36-0104	Ref: C36,C37 CAP 0.1uF 50V 20% ESTR TH	0	EA	.0	A Y	2.000000
2	195 03-36-0224	Ref: C22,C23 CAP 0.22uF 50V 20% ESTR TH	0	EA	.0	A Y	2.000000
2	200 03-45-0473	Ref: C61,C87 CAP 47nF 16V 20% 1206 FILM SM	0	EA	.0	A Y	1.000000
2	205 03-46-0104	Ref: C2 CAP 0.1uF 50V 20% 1206 X7R SM	0	EA	.0	A Y	30.000000
2	210 03-52-0102	Ref: C6,C8,C10,C12-14,C17-18,C26,C41,C42,C47-53,C64,C65,C68,C71 C89,C93-99 CAP 1nF 50V min 20% max 0805	0	EA	.0	A Y	10.000000
2	215 03-52-0103 X7R	Ref: C5,C9,C19,C20,C27,C40,C66,C74-75,C85 CAP 10nF 50V SMT	0	EA	.0	A Y	5.000000
2	220 03-52-0152 20% max	Ref: C3,C86,C90-92 Capacitor,1.5nf,50v, 0805	0	EA	.0	A Y	1.000000
2	225 03-52-0220	Ref: C32 CAP 22pF 50V min 20% max 0805	0	EA	.0	A Y	4.000000
2	230 03-52-0221	Ref: C44,C45,C46,C60 CAP 220pF 50V 20%	0	EA	.0	A Y	14.000000
2	235 03-52-0471	Ref: C1,C33,C28-31,C69-70,C72-73,C76-77,C100-101 CAP 470pF 50V SMT	0	EA	.0	A Y	2.000000
2	240 03-52-0473 SMT	Ref: C62,C63 Capacitor, 47nf, 50v min. 20%	0	EA	.0	A Y	2.000000
2	245 06-00-4148 JUNCTION 1N4148	Ref: C34,C43 DIODE 4.0 N/S 100V SINGLE	0	EA	.0	A Y	2.000000
		Ref: D25,D40					

INDENTED BILL OF MATERIAL

=====						
2	250 06-04-4002	Diode, Mid Power TH	0 EA	.0	A Y	5.000000
		Ref: D4,D39,D45-47				
2	255 06-16-6200	Diode Bridge, TH Vishay p/n PB64	0 EA	.0	A Y	1.000000
		Ref: D3				
2	260 06-20-4148	DIODE, SMALL SIGNAL, GREEN	0 EA	.0	A Y	25.000000
		Ref: D13-24,D26-38				
2	261 06-28-0310	Diode Zener 3.3 volt SMT Philips PMLL5226B,DL-35 pkg	0 EA	.0	A Y	2.000000
		Ref: D,D2				
2	265 06-28-0820	DIODE 8.2V Zener DL-35	0 EA	.0	A Y	1.000000
		Ref: D5				
2	270 09-10-4401	TRANS NPN Small Signal TH	0 EA	.0	A Y	3.000000
		Ref: Q3,Q5,Q6				
2	275 09-10-4403	TRANS PNP Small Signal TH	0 EA	.0	A Y	3.000000
		Ref: Q7-9				
2	280 11-00-1198	11.98080 MHZ crystal in HC-49/ u holder	0 EA	.0	A Y	1.000000
		Ref: X1				
2	285 11-10-2020	Wide band choke 1-5 turns	0 EA	.0	A Y	3.000000
		Ref: L1,L2,L3				
2	290 11-40-0030	Battery BR2325-1HG	0 EA	.0	A Y	1.000000
		Ref: B1				
		Change from 30-11-2325 to 11-40-0030 ECO 0002501 1/25/00				
2	295 12-02-7805	Regulator, +5v, 1.5 Amp TH	0 EA	.0	A Y	1.000000
		Ref: U6				
2	300 12-02-7815	REGULATOR, +15V, 1AMP	0 EA	.0	A Y	1.000000
		Ref: U24				
2	305 12-02-7915	REGULATOR, -15V, 1AMP	0 EA	.0	A Y	1.000000
		Ref: U23				
2	310 12-30-3886	Power Amp, 50w TH	0 EA	.0	A Y	1.000000
		Ref: U4				
2	315 12-54-0072	IC, OP-AMP TL072D	0 EA	.0	A Y	2.000000

INDENTED BILL OF MATERIAL

=====							
2	320 12-54-0084	IC OP AMP Quad, surface mount, mfg p/n# TL084CD	0	EA	.0	A Y	3.000000
Ref: U1,U16							
2	325 12-64-0542	IC ADC 8 bit	0	EA	.0	A Y	1.000000
Ref: U3,U5,U22							
2	330 12-64-4520	IC STEREO 20 bit CODEC SMT	0	EA	.0	A Y	1.000000
Ref: U12							
2	335 15-26-1000	Eprom,1 meg, 32 pin, 70 NS, TH	0	EA	.0	A Y	1.000000
Ref: U2							
2	340 15-40-6138	IC Opto-isolator	0	EA	.0	A Y	1.000000
Ref: U18							
2	345 15-62-0010	IC Triple 3-Input NAND Gate	0	EA	.0	A Y	2.000000
Ref: U8							
2	350 15-62-0014	IC Hex Schmitt Inverter	0	EA	.0	A Y	1.000000
Ref: U19,U25							
2	355 15-62-0074	DUAL D-TYPE FLIP-FLOP SMT	0	EA	.0	A Y	1.000000
Ref: U21							
2	360 15-62-0161	IC 4 bit binary counter	0	EA	.0	A Y	1.000000
Ref: U17							
2	365 15-62-0165	IC 8 bit shift register	0	EA	.0	A Y	1.000000
Ref: U26							
2	370 15-62-0273	OCTICAL LATCH D TYPE WITH CLEA R SMT	0	EA	.0	A Y	2.000000
Ref: U27							
2	375 15-62-0393	8 BIT DIVIDER SMT	0	EA	.0	A Y	1.000000
Ref: U11,U15							
2	380 15-62-0573	IC Octal Latch D-Type *Transpa rent	0	EA	.0	A Y	1.000000
Ref: U13							
2	385 15-70-6256	DRAM FLEXTONE ISSI P/N IS4IC16257-35K	0	EA	.0	A Y	1.000000
Ref: U14							

INDENTED BILL OF MATERIAL

=====						
		Ref: U9				
2	390 15-72-0256	IC SRAM 32K X 8	0 EA	.0	A Y	1.000000
		Ref: U20				
2	395 15-84-8031	IC Microprocessor 8031	0 EA	.0	A Y	1.000000
		Ref: U10				
2	400 15-86-7070	IC DASP	0 EA	.0	A Y	1.000000
		Ref: U7				
2	405 15-92-1812	RESET CHIP DS1812R-5/T&R	0 EA	.0	A Y	1.000000
		Ref: Q4				
2	410 18-02-0034	YELLOW LED TH L34YDLK	0 EA	.0	A Y	7.000000
		Ref: D6-12				
2	415 21-00-4420	Jack 1/4 inch earthing washer JB0661-K01-3	0 EA	.0	A Y	4.000000
		Ref: [M5-M8]				
2	420 21-00-6616	JACK 1/4" phone Stereo Female 6 pin	0 EA	.0	A Y	4.000000
		Ref: J1,J4-J6				
2	425 21-04-5075	JACK MIDI 5 pin DIN female LN 05075	0 EA	.0	A Y	2.000000
		Ref: J8,J9				
2	430 21-14-0001	POWER AC receptacle standard grounded SS-7B-1	0 EA	.0	A Y	1.000000
		Ref: J3				
2	435 21-16-0045	CON RJ-45 female 8 conductor	0 EA	.0	A Y	1.000000
		Ref: J7				
2	440 21-20-0204	Header 4-pin 2MM	0 EA	.0	A Y	2.000000
		Ref: M1-2				
2	445 21-23-1002	CON 10 X 2 Male Rcpt 100mI spa cing	0 EA	.0	A Y	1.000000
		Ref: M3				
2	450 21-30-0008	Cable Assy, Ribbon 8 Pin	0 EA	.0	A Y	1.000000
		Ref: M4				
2	21-30-0020	20-pin Ribbon cable to Line out PCB (specify soldered or solderless)				1.000000
2	455 21-34-1101	Cable, Transformer primary	0 EA	.0	A Y	1.000000
		Ref: W1				
2	460 21-34-1102	Cable, Transformer primary	0 EA	.0	A Y	1.000000

INDENTED BILL OF MATERIAL

		Ref: W2					
2	465 21-34-1806	Cable Assy, Earthing	0 EA	.0	A	Y	1.000000
2	470 21-34-2421	Cable, Transformer secondary Flexitone II	0 EA	.0	A	Y	1.000000
		Ref: H11					
2	475 21-34-2422	Cable, Transformer secondary Flexitone II	0 EA	.0	A	Y	3.000000
		Ref: H3,H7,H9					
2	480 21-34-2423	Cable, Transformer secondary Flexitone II	0 EA	.0	A	Y	1.000000
		Ref: H8					
2	485 21-34-2424	Cable, Transformer secondary Flexitone II	0 EA	.0	A	Y	1.000000
		Ref: H10					
2	490 21-36-0482	Positive Speaker cable	0 EA	.0	A	Y	1.000000
		Ref: H1					
2	495 21-36-2260	Negative Speaker cable Flexitone II	0 EA	.0	A	Y	2.000000
		Ref: H2,H4					
2	500 21-42-0032	Socket 32 pin th	0 EA	.0	A	Y	1.000000
		Ref: [U18]					
2	505 21-48-9521	FUSE HOLDER CLIP p/n 19521	0 EA	.0	A	Y	2.000000
		Ref: [F1]					
2	510 24-12-0025	ENCODER SHAFT 16 STEP	0 EA	.0	A	Y	2.000000
		Ref: EN1,EN2					
2	515 24-18-4250	FUSE 4 Amp 250V Normal Blow 0.25" by 1.25"	0 EA	.0	A	Y	1.000000
		Ref: F1					
2	520 24-24-0010	SWITCH RF power	0 EA	.0	A	Y	1.000000
		Ref: SW1					
2	525 24-31-1105	TACK SWITCH	0 EA	.0	A	Y	7.000000
		Ref: SW2-SW8					
2	530 30-00-0607	6-32x7/16 Phil Panhead zinc mach. screw w/ext. lock washer	0 EA	.0	A	Y	1.000000
		Ref: [U6]					

INDENTED BILL OF MATERIAL

=====						
2	535 30-03-0060	Nylon Washer for #6 screw ID .140" OD 5/16 thick 1/32	0 EA	.0	A Y	1.000000
2	540 30-12-2210	STANDOFF 1/2" F 6-32 Full THD. F.F. Keystone 2210	0 EA	.0	A Y	1.000000
		Ref: [U6]				
1	415 50-00-0037	PCBA, Flex II, Line Out/External Power Amp PCBA				1.000000
2	10 01-04-0102	RES 1K 1/8W 5% 1206 SM	0 EA	.0	A Y	7.000000
		Ref: R6,R12,R39,R46,R48,R50,R54				
2	20 01-04-0103	RES 10K 1/8W 5% 1206 SM	0 EA	.0	A Y	3.000000
		Ref: R51,R52,R56				
2	30 01-04-0104	RES 100K 1/8W 5% 1206 SM	0 EA	.0	A Y	2.000000
		Ref: R14,R41				
2	40 01-04-0153	RES CHIP 15K 5% 1/8W 1206, Thick Film	0 EA	.0	A Y	3.000000
		Ref: R21,R24,R45				
2	50 01-04-0154	RES 150K 1/8W 5% 1206 SM	0 EA	.0	A Y	1.000000
		Ref: R44				
2	60 01-04-0203	RES 20K 1/8W 5% 1206 SM	0 EA	.0	A Y	1.000000
		Ref: R5				
2	70 01-04-0223	RES 22K 1/8W 5% 1206 SM	0 EA	.0	A Y	6.000000
		Ref: R1,R4,R8,R9,(R18),R32,R34,(R40) R18 and R40 removed on EO # 0004501				
2	80 01-04-0224	RES 220K 1/8W 5% 1206 SM	0 EA	.0	A Y	2.000000
		Ref: R16,R42				
2	90 01-04-0472	RES 4.7K 1/8W 5% 1206 SM	0 EA	.0	A Y	1.000000
		Ref: R57				
2	100 01-04-0513	RES 51K 1/8W 5% 1206 SM	0 EA	.0	A Y	2.000000
		Ref: R25,R36				
2	110 01-04-0563	RES 56K 1/8W 5% 1206 SM	0 EA	.0	A Y	2.000000
		Ref: R43,R49				

INDENTED BILL OF MATERIAL

=====							
2	120 01-04-0681	RES 680R 1/8W 5% 1206 SM	0 EA	.0	A	Y	4.000000
		Ref: R2,R3,R7,R10					
2	130 01-04-0622	RES 6.2K 1/8W 5% 1206 SM	0 EA	.0	A	Y	2.000000
		Ref: R19,R20					
2	140 01-12-0027	RES 2.7R 1/4W 5% DIP TH	0 EA	.0	A	Y	1.000000
		Ref: R47					
2	150 01-28-1302	Res chip 13.0k 1% 1/8W 1206	0 EA	.0	A	Y	2.000000
	P13.OKFTR						
		Ref: R18, R40					
		Added per EO # 0004501					
2	160 01-28-3013	RES 301K 1/8W 1% 1206 SM	0 EA	.0	A	Y	2.000000
		Ref: R23, R33					
	Obsolete Date: 021400	Deleted per EO # 0004501					
2	170 01-28-4022	RES 40.2K 1/8W 1% 1206 SM	0 EA	.0	A	Y	4.000000
		Ref: R11,R15,R30,R37					
2	180 01-28-4222	RES 42.2K 1/8W 1% 1206 SM	0 EA	.0	A	Y	2.000000
		Ref: R13,R38					
2	190 01-28-4753	RES 475K 1/8W 1% 1206 SM	0 EA	.0	A	Y	2.000000
		Ref: R23, R33					
		Added per EO # 0004501					
2	200 01-28-4871	RES 4.87K 1/8W 1% 1206 SM	0 EA	.0	A	Y	4.000000
		Ref: R22,R26,R28,R29					
2	210 01-28-9760	RES 976R 1/8W 1% 1206 SM	0 EA	.0	A	Y	4.000000
		Ref: R17,R27,R31,R35					
2	220 03-18-0106	CAP 10uF 50V 20% RADIAL ELEC	0 EA	.0	A	Y	4.000000
	TH						
		Ref: C2,C39,C40,C43					
2	230 03-36-0104	CAP 0.1uF 50V 20% ESTR TH	0 EA	.0	A	Y	2.000000
		Ref: C37,C38					
2	240 03-36-0224	CAP 0.22uF 50V 20% ESTR TH	0 EA	.0	A	Y	2.000000
		Ref: C1,C44					
2	250 03-46-0104	CAP 0.1uF 50V 20% 1206 X7R SM	0 EA	.0	A	Y	8.000000

INDENTED BILL OF MATERIAL

=====						
		Ref: C5,C13,C14,C18,C21,C23,C25,C26				
2	260 03-50-0331	Capacitor,330pf,NPO,50v min 20% max, 0805 surface mount	0 EA	.0	A Y	8.000000
		Ref: C3,C6,C10,C12,C15,C17,C29,C31 Per ECO 0002501 1/25/00				
2	270 03-52-0100	Cap.100uf,50V 0805 X7R 80 x 50 ml.	0 EA	.0	A Y	2.000000
		Ref: C9,C22				
2	280 03-52-0101	Capacitor, 100 pf, 0805 Mfg p/n# 08055A101KATMA	0 EA	.0	A Y	4.000000
		Ref: C35,C36,C49,C52				
2	290 03-52-0102	CAP 1nF 50V min 20% max 0805	0 EA	.0	A Y	10.000000
		Ref: C24,C28,C30,C34,C41,C42,C45,C46,C47,C48				
2	300 03-52-0152	Capacitor,1.5nf,50v, 0805 20% max	0 EA	.0	A Y	2.000000
		Ref: C8,C20				
2	310 03-52-0221	CAP 220pF 50V 20%	0 EA	.0	A Y	2.000000
		Ref: C50,C51				
2	320 03-52-0223	CAP 22nF 50V 20% X7R 0805	0 EA	.0	A Y	6.000000
		Ref: C4,C7,C11,C27,C32,C33				
2	330 03-52-0331	Capacitor,330pf,50v, 0805 20% max	0 EA	.0	A Y	8.000000
		Ref: c3,c6,c10,c12,c15,c17,c29,c31 Changed to 03-50-0331 per ECO 0002501 1/25/00				
2	340 03-52-0471	CAP 470pF 50V SMT Obsolete Date: 022900	0 EA	.0	A Y	2.000000
		Ref: C16,C19				
2	350 12-30-3886	Power Amp, 50w TH	0 EA	.0	A Y	1.000000
		Ref: U8				
2	360 12-54-0074	IC, OP-AMP TL074	0 EA	.0	A Y	4.000000
		Ref: U1,U2,U5,U6				
2	370 21-00-4420	Jack 1/4 inch earthing washer JB0661-K01-3	0 EA	.0	A Y	2.000000
		Ref: M1,M2				
2	380 21-00-6616	JACK 1/4" phone Stereo Female 6 pin	0 EA	.0	A Y	2.000000
		Ref: J1,J2				
2	390 21-08-0013	XLR Male Jack connector Neutrik NC3MAH only	0 EA	.0	A Y	2.000000

INDENTED BILL OF MATERIAL

=====						
		Ref: J3,J4				
2	400 21-23-1002	CON 10 X 2 Male Rcpt 100mI spa	0 EA	.0	A Y	1.000000
	cing					
		Ref: J5				
2	410 24-09-0222	DPDT SWITCH	0 EA	.0	A Y	1.000000
	SK-22H03					
		Ref: SW2				
2	420 24-09-0422	4PDT SWITCH	0 EA	.0	A Y	1.000000
	42MS2R1					
		Ref: SW1				
1	420 50-00-0224	Cabinet, FLEXTONE & Plus	0 EA	.0	A Y	1.000000
2	10 30-00-0621	Screw for speaker grill	0 EA	.0	A Y	6.000000
2	20 30-00-0812	Screw,#8x3/4,Philips Truss(A)	0 EA	.0	A Y	8.000000
	T/S,Black Oxide W/WAX (CORNER)					
2	30 30-06-1024	NUT 10-24 X 5/16 Tee	0 EA	.0	A Y	4.000000
	Plain steel, Tape/reel package					
2	40 30-27-0022	EXTRUDED VINYL PIPING Flexitone	0 FT	.0	A Y	1.850000
	OFF WHITE EMBOSSED WELT 180-2					
2	45 30-27-1010	VENT PLASTIC TRIM	0 EA	.0	A Y	2.000000
2	50 30-30-1520	TEXTURED CORNERS, w/ a notch &	0 EA	.0	A Y	2.000000
	2 legs					
2	60 30-30-1530	TEXTURED CORNERS, W/ 2 legs &	0 EA	.0	A Y	2.000000
	a cut out					
2	70 30-36-0001	FAB Vinyl Black-Axsys 212	0 YD	.0	A Y	.833300
	ASC03 Black Bronco 54" Wide					
2	80 30-39-5587	SPEAKER GRILL CLOTH FLEXTONE	0 YD	.0	A Y	.340000
	Mfg # FN558701					
2	90 30-48-0655	Rubber Feet, Flexitone	0 EA	.0	A Y	4.000000

Flectone 2 XL Parts List

Including: Reference Designators

Level	Seq	Component-Item	Component-Description	Opr	UOM		Qty-Per-Parent
=====							
Parent Item: 99 FLX2 XL 120 FLEXTONE 2 XL 120V AMP FINAL							
1	10	11-20-1200	Speaker 12", Standard (or 11-20-1208 Speaker 12", Celestion special design)				2.000000
1	20	11-30-8607	TRANS. 11/120 V	0	EA	.0 A Y	1.000000
1	25	21-34-0012	Cable Input jack assy	0	EA	.0 A Y	1.000000
1	30	21-37-1160	CABLE,PWR UL/CSA,SJT,18awg,Blk EL-302 grnded plug,EL701 Socket	0	EA	.0 A Y	1.000000
1	(Larger Size)	24-18-4250	FUSE 4 Amp 250V Normal Blow			0.25" by 1.25"	1.000000
	(smaller size)	24-19-4250	Fuse 4 Amp 125V Normal Blow			5 x 20mm	
1	50	24-21-0001	SWITCH cap for 24-24-0010 PB0850000RED	0	EA	.0 A Y	1.000000
1	60	24-21-1122	Flectone II SWITCH CAP	0	EA	.0 A Y	1.000000
1	70	30-00-9358	#3-1/2 PHILIPS OVAL SCREW BLK. Sustitute for 30-00-0358	0	EA	.0 A Y	4.000000
1	80	30-00-0607	6-32x7/16 Phil Panhead zinc mach. screw w/ext. lock washer	0	EA	.0 A Y	15.000000
1	90	30-00-1008	Screw for transformer 10-24x1/2 phil pan zinc	0	EA	.0 A Y	4.000000
1	100	30-00-1016	SCREW PPM 10-24 X 1 black	0	EA	.0 A Y	4.000000
1	110	30-00-1032	SCREW OVAL PHIL NICKEL 10-32 x 1-1/4	0	EA	.0 A Y	4.000000
1	120	30-00-1124	10-32 x 1-1/2 black waxed zinc	0	EA	.0 A Y	2.000000
1	130	30-00-1632	6-32x3/8 philips panhead screw taptite black	0	EA	.0 A Y	2.000000
1	140	30-03-0010	#10 Finishing washer for transformer zinc	0	EA	.0 A Y	4.000000
1	150	30-03-0110	FINISHING WASHER #10 NICKEL PLATED	0	EA	.0 A Y	4.000000

INDENTED BILL OF MATERIAL

=====						
1	160 30-06-0024	NUT 10-24 with nylon insert	0 EA	.0	A Y	4.000000
1	170 30-24-0003	CABLE TIE Panduit 3 7/8" clear Panduit PLT1M-M	0 EA	.0	A Y	4.000000
1	180 30-40-2825	TRANSFORMER GASKET, FLEXTONE	0 EA	.0	A Y	1.000000
1	190 30-42-0130	Overlay, Flexitone II	0 EA	.0	A Y	1.000000
1	200 30-45-2000	Knob Taiwan Knob	0 EA	.0	A Y	10.000000
1	210 30-51-0030	Metal Top Flexitone	0 EA	.0	A Y	1.000000
1	220 30-51-0131	Metal Bottom, Flex II	0 EA	.0	A Y	1.000000
1	230 30-51-6013	HEAT SINK EXTRUSION - 3 HOLES	0 EA	.0	A Y	2.000000
1	240 30-57-0580	HANDLE/STRAP Heavy Duty, Black	0 EA	.0	A Y	1.000000
1	250 30-57-0581	END CAPS,Black,Textured Finish	0 EA	.0	A Y	2.000000
1	260 30-60-2010	LOGO, Line 6, large	0 EA	.0	A Y	1.000000
1	270 30-60-2017	LOGO, Flexitone II XL Name Badge	0 EA	.0	A Y	1.000000
1	280 40-00-0130	Manual, User's, Flexitone II	0 EA	.0	A Y	1.000000
1	290 40-00-0132	Chart, Patch, Flexitone II	0 EA	.0	A Y	1.000000
1	300 40-00-1000	Line 6 Warranty Information Ca rd	0 EA	.0	A Y	1.000000
2	10 40-10-0043L	FLEXTONE TOP LEFT FOAM BLOCK	0 EA	.0	A Y	1.000000
2	20 40-10-0043R	FLEXTONE TOP RIGHT FOAM BLOCK	0 EA	.0	A Y	1.000000
2	30 40-10-0043B	Foam Block,Bottom-Flexitone	0 EA	.0	A Y	2.000000
1	325 40-10-0140	Box, Shipping, Flexitone II Inner	0 EA	.0	A Y	1.000000

INDENTED BILL OF MATERIAL

QTY	ITEM NO	DESCRIPTION	UNIT	EA	PRICE	STATUS	AMOUNT
1	330 40-10-0141	Box, Shipping, Flexitone II Outer Sleeve	EA	0	.0	A Y	1.000000
1	360 40-20-0010	Plastic Bag,43"x38"x.004,clear	EA	0	.0	A Y	1.000000
1	370 40-20-0011	Plastic Bag, 10 x 16, 2 mil	EA	0	.0	A Y	1.000000
1	380 40-25-0020	Label, Quality Inspection	EA	0	.0	A Y	1.000000
1	390 40-30-0020	Label,Serial No.1wX.5L,2accros Gloss,Silver Duropoly 613	EA	0	.0	A Y	2.000000
1	395 45-00-0022	EPROM, Programmed, Flexitone II Eprom,1 meg, 32 pin, 70 NS, TH	EA	0	.0	A Y	1.000000
1	400 50-00-0035	PCBA, Flexitone II Main				Before ordering this board: CLICK HERE	1.000000
2	5 01-04-0002	RES 0K 1/8W 5% 1206 SM	EA	0	.0	A Y	1.000000
2	10 01-04-0051	RES 5.1R 1/8W 5% 1206 SM	EA	0	.0	A Y	1.000000
2	15 01-04-0101	Ref: R84 RES 100 OHM 5% 1/8W	EA	0	.0	A Y	1.000000
2	20 01-04-0102	Ref: R4 RES 1K 1/8W 5% 1206 SM	EA	0	.0	A Y	10.000000
2	25 01-04-0103	Ref: R2,R7,R20,R22-23,R52,R30,R34,R61,R66 RES 10K 1/8W 5% 1206 SM	EA	0	.0	A Y	12.000000
2	30 01-04-0104	Ref: R9,R14,R19,R21,R35,R63,R72,R83,R89,R90,R91,R95 Removed R87,R88,R93,R94 per EO #0004501 RES 100K 1/8W 5% 1206 SM	EA	0	.0	A Y	1.000000
2	35 01-04-0105	Ref: R86 RES 1M 1/8W 5% 1206 SM	EA	0	.0	A Y	1.000000
2	40 01-04-0132	Ref: R1 RES 1.3K 1/8W 5% 1206 SM	EA	0	.0	A Y	3.000000
2	45 01-04-0150	Ref: R6,R57,R59 RES 15R 1/8W 5% 1206 SM	EA	0	.0	A Y	2.000000

INDENTED BILL OF MATERIAL

=====						
		Ref: R74,R79				
2	50 01-04-0151	RES 150R 1/8W 5% 1206 SM	0 EA	.0	A Y	7.000000
		Ref: R36-R37-R38-R39-R40-R41-R42				
2	55 01-04-0153	RES CHIP 15K 5% 1/8W 1206, Thick Film	0 EA	.0	A Y	2.000000
		Ref: R5,R25				
2	60 01-04-0154	RES 150K 1/8W 5% 1206 SM	0 EA	.0	A Y	1.000000
		Ref: R24				
2	65 01-04-0183	RES 18K 1/8W 5% 1206 SM	0 EA	.0	A Y	2.000000
		Ref: R10, R11				
2	70 01-04-0202	RES 2K 1/8W 5% 1206 SM	0 EA	.0	A Y	4.000000
		Ref: R62,R64,R85,R92				
2	75 01-04-0221	RES 220R 1/8W 5% 1206 SM	0 EA	.0	A Y	3.000000
		Ref: R69,R70,R71				
2	80 01-04-0223	RES 22K 1/8W 5% 1206 SM	0 EA	.0	A Y	2.000000
		Ref: R17,R18				
2	85 01-04-0302	RES 3K 1/8W 5% 1206 SM	0 EA	.0	A Y	2.000000
		Ref: R50,R51				
2	90 01-04-0331	RES 330R 1/8W 5% 1206 SM	0 EA	.0	A Y	1.000000
		Ref: R28				
2	95 01-04-0332	RES 3.3K 1/8W 5% 1206 SM	0 EA	.0	A Y	1.000000
		Ref: R29				
2	100 01-04-0362	RES 3.6K 1/8W 5% 1206 SM	0 EA	.0	A Y	1.000000
		Ref: R8				
2	105 01-04-0470	RES 47R 1/8W 5% 1206 SM	0 EA	.0	A Y	8.000000
		Ref: R65,R75,R76,R77,R78,R80,R81,R82				
2	110 01-04-0471	RES 470R 1/8W 5% 1206 SM	0 EA	.0	A Y	7.000000
		Ref: R12,R13,R15,R53,R54,R67,R73				
2	115 01-04-0472	RES 4.7K 1/8W 5% 1206 SM	0 EA	.0	A Y	8.000000
		Ref: R16,R31,R58,R60,R87,R88,R93,R94				

INDENTED BILL OF MATERIAL

=====								
Added R87,R88,R93,R94 added per EO #0004501								
2	120 01-04-0512	RES 5.1K 1/8W 5% 1206 SM	0	EA	.0	A	Y	1.000000
2	125 01-04-0561	RES 560R 1/8W 5% 1206 SM	0	EA	.0	A	Y	1.000000
2	130 01-04-0622	RES 6.2K 1/8W 5% 1206 SM	0	EA	.0	A	Y	1.000000
2	135 01-12-0027	RES 2.7R 1/4W 5% DIP TH	0	EA	.0	A	Y	1.000000
2	140 01-20-5033	Resistor, 0.33 5% 5W TH	0	EA	.0	A	Y	2.000000
2	145 01-48-0103	POT 10K MONO LINEAR D-SHAFT-25	0	EA	.0	A	Y	7.000000
	mm							
2	150 01-48-4103	POT 10K Stereo Linear	0	EA	.0	A	Y	1.000000
2	155 03-01-0103	CAP 10nF 250V 20% CER DISC TH	0	EA	.0	A	Y	1.000000
2	160 03-10-0331	CAP 330uF 10V 20% RADIAL ELEC TH	0	EA	.0	A	Y	1.000000
2	165 03-12-0227	CAP 2200uF 16V 20% RADIAL POLA R-ELEC TH	0	EA	.0	A	Y	1.000000
2	170 03-16-0108	CAP 1000uF 35V 20% RADIAL ELEC TH	0	EA	.0	A	Y	4.000000
2	175 03-18-0105	CAP 1uF 50V 20% RADIAL ELEC TH	0	EA	.0	A	Y	9.000000
2	180 03-18-0106	CAP 10uF 50V 20% RADIAL ELEC TH	0	EA	.0	A	Y	10.000000
2	185 03-18-0478	CAP 4700uF 50V 20% RADIAL ELEC TH	0	EA	.0	A	Y	2.000000

Ref: C36,C37

INDENTED BILL OF MATERIAL

QTY	PN	DESCRIPTION	UOM	EA	QTY	EA	Y	AMOUNT
2	190 03-36-0104	CAP 0.1uF 50V 20% ESTR TH	0	EA	.0	A	Y	2.000000
		Ref: C22,C23						
2	195 03-36-0224	CAP 0.22uF 50V 20% ESTR TH	0	EA	.0	A	Y	2.000000
		Ref: C61,C87						
2	200 03-45-0473	CAP 47nF 16V 20% 1206 FILM SM	0	EA	.0	A	Y	1.000000
		Ref: C2						
2	205 03-46-0104	CAP 0.1uF 50V 20% 1206 X7R SM	0	EA	.0	A	Y	30.000000
		Ref: C6,C8,C10,C12-14,C17-18,C26,C41,C42,C47-53,C64,C65,C68,C71 C89,C93-99						
2	210 03-52-0102	CAP 1nF 50V min 20% max 0805	0	EA	.0	A	Y	10.000000
		Ref: C5,C9,C19,C20,C27,C40,C66,C74-75,C85						
2	215 03-52-0103 X7R	CAP 10nF 50V SMT	0	EA	.0	A	Y	5.000000
		Ref: C3,C86,C90-92						
2	220 03-52-0152 20% max	Capacitor,1.5nf,50v, 0805	0	EA	.0	A	Y	1.000000
		Ref: C32						
2	225 03-52-0220	CAP 22pF 50V min 20% max 0805	0	EA	.0	A	Y	4.000000
		Ref: C44,C45,C46,C60						
2	230 03-52-0221	CAP 220pF 50V 20%	0	EA	.0	A	Y	14.000000
		Ref: C1,C33,C28-31,C69-70,C72-73,C76-77,C100-101						
2	235 03-52-0471	CAP 470pF 50V SMT	0	EA	.0	A	Y	2.000000
		Ref: C62,C63						
2	240 03-52-0473 SMT	Capacitor, 47nf, 50v min. 20%	0	EA	.0	A	Y	2.000000
		Ref: C34,C43						
2	245 06-00-4148 JUNCTION 1N4148	DIODE 4.0 N/S 100V SINGLE	0	EA	.0	A	Y	2.000000
		Ref: D25,D40						
2	250 06-04-4002	Diode, Mid Power TH	0	EA	.0	A	Y	5.000000
		Ref: D4,D39,D45-47						
2	255 06-16-6200 Vishay p/n PB64	Diode Bridge, TH	0	EA	.0	A	Y	1.000000
		Ref: D3						
2	260 06-20-4148	DIODE, SMALL SIGNAL, GREEN	0	EA	.0	A	Y	25.000000

INDENTED BILL OF MATERIAL

=====						
2	261 06-28-0310	Ref: D13-24,D26-38 Diode Zener 3.3 volt SMT Philips PMLL5226B,DL-35 pkg	0 EA	.0	A Y	2.000000
2	265 06-28-0820	Ref: D,D2 DIODE 8.2V Zener DL-35	0 EA	.0	A Y	1.000000
2	270 09-10-4401	Ref: D5 TRANS NPN Small Signal TH	0 EA	.0	A Y	3.000000
2	275 09-10-4403	Ref: Q3,Q5,Q6 TRANS PNP Small Signal TH	0 EA	.0	A Y	3.000000
2	280 11-00-1198	Ref: Q7-9 11.98080 MHz crystal in HC-49/ u holder	0 EA	.0	A Y	1.000000
2	285 11-10-2020	Ref: X1 Wide band choke 1-5 turns	0 EA	.0	A Y	3.000000
2	290 11-40-0030	Ref: L1,L2,L3 Battery BR2325-1HG	0 EA	.0	A Y	1.000000
2	295 12-02-7805	Ref: B1 Change from 30-11-2325 to 11-40-0030 ECO 0002501 1/25/00 Regulator, +5v, 1.5 Amp TH	0 EA	.0	A Y	1.000000
2	300 12-02-7815	Ref: U6 REGULATOR, +15V, 1AMP	0 EA	.0	A Y	1.000000
2	305 12-02-7915	Ref: U24 REGULATOR, -15V, 1AMP	0 EA	.0	A Y	1.000000
2	310 12-30-3886	Ref: U23 Power Amp, 50w TH	0 EA	.0	A Y	1.000000
2	315 12-54-0072	Ref: U4 IC, OP-AMP TL072D	0 EA	.0	A Y	2.000000
2	320 12-54-0084	Ref: U1,U16 IC OP AMP Quad, surface mount, mfg p/n# TL084CD	0 EA	.0	A Y	3.000000
2	325 12-64-0542	Ref: U3,U5,U22 IC ADC 8 bit	0 EA	.0	A Y	1.000000

INDENTED BILL OF MATERIAL

=====						
		Ref: U12				
2	330 12-64-4520	IC STEREO 20 bit CODEC SMT	0 EA	.0	A Y	1.000000
		Ref: U2				
2	335 15-26-1000	Eprom,1 meg, 32 pin, 70 NS, TH	0 EA	.0	A Y	1.000000
		Ref: U18				
2	340 15-40-6138	IC Opto-isolator	0 EA	.0	A Y	1.000000
		Ref: U8				
2	345 15-62-0010	IC Triple 3-Input NAND Gate	0 EA	.0	A Y	2.000000
		Ref: U19,U25				
2	350 15-62-0014	IC Hex Schmitt Inverter	0 EA	.0	A Y	1.000000
		Ref: U21				
2	355 15-62-0074	DUAL D-TYPE FLIP-FLOP SMT	0 EA	.0	A Y	1.000000
		Ref: U17				
2	360 15-62-0161	IC 4 bit binary counter	0 EA	.0	A Y	1.000000
		Ref: U26				
2	365 15-62-0165	IC 8 bit shift register	0 EA	.0	A Y	1.000000
		Ref: U27				
2	370 15-62-0273	OCTICAL LATCH D TYPE WITH CLEA	0 EA	.0	A Y	2.000000
	R SMT					
		Ref: U11,U15				
2	375 15-62-0393	8 BIT DIVIDER SMT	0 EA	.0	A Y	1.000000
		Ref: U13				
2	380 15-62-0573	IC Octal Latch D-Type *Transpa	0 EA	.0	A Y	1.000000
	rent					
		Ref: U14				
2	385 15-70-6256	DRAM FLEXTONE	0 EA	.0	A Y	1.000000
	ISSI P/N IS4IC16257-35K					
		Ref: U9				
2	390 15-72-0256	IC SRAM 32K X 8	0 EA	.0	A Y	1.000000
		Ref: U20				
2	395 15-84-8031	IC Microprocessor 8031	0 EA	.0	A Y	1.000000
		Ref: U10				

INDENTED BILL OF MATERIAL

=====						
2	400 15-86-7070	IC DASP	0 EA	.0	A Y	1.000000
		Ref: U7				
2	405 15-92-1812	RESET CHIP DS1812R-5/T&R	0 EA	.0	A Y	1.000000
		Ref: Q4				
2	410 18-02-0034	YELLOW LED TH L34YDLK	0 EA	.0	A Y	7.000000
		Ref: D6-12				
2	415 21-00-4420	Jack 1/4 inch earthing washer JB0661-K01-3	0 EA	.0	A Y	4.000000
		Ref: [M5-M8]				
2	420 21-00-6616	JACK 1/4" phone Stereo Female 6 pin	0 EA	.0	A Y	4.000000
		Ref: J1,J4-J6				
2	425 21-04-5075	JACK MIDI 5 pin DIN female LN 05075	0 EA	.0	A Y	2.000000
		Ref: J8,J9				
2	430 21-14-0001	POWER AC receptacle standard grounded SS-7B-1	0 EA	.0	A Y	1.000000
		Ref: J3				
2	435 21-16-0045	CON RJ-45 female 8 conductor	0 EA	.0	A Y	1.000000
		Ref: J7				
2	440 21-20-0204	Header 4-pin 2MM	0 EA	.0	A Y	2.000000
		Ref: M1-2				
2	445 21-23-1002	CON 10 X 2 Male Rcpt 100mI spa cing	0 EA	.0	A Y	1.000000
		Ref: M3				
2	450 21-30-0008	Cable Assy, Ribbon 8 Pin Ref: M4	0 EA	.0	A Y	1.000000
2	21-30-0020	20-pin Ribbon cable to Line out PCB (specify soldered or solderless)				1.000000
2	455 21-34-1101	Cable, Transformer primary	0 EA	.0	A Y	1.000000
		Ref: W1				
2	460 21-34-1102	Cable, Transformer primary	0 EA	.0	A Y	1.000000
		Ref: W2				
2	465 21-34-1806	Cable Assy, Earthing	0 EA	.0	A Y	1.000000
		Ref: W2				
2	470 21-34-2421	Cable, Transformer secondary Flexitone II	0 EA	.0	A Y	1.000000

INDENTED BILL OF MATERIAL

=====						
		Ref: H11				
2	475 21-34-2422	Cable, Transformer secondary Flexitone II	0 EA	.0	A Y	3.000000
		Ref: H3,H7,H9				
2	480 21-34-2423	Cable, Transformer secondary Flexitone II	0 EA	.0	A Y	1.000000
		Ref: H8				
2	485 21-34-2424	Cable, Transformer secondary Flexitone II	0 EA	.0	A Y	1.000000
		Ref: H10				
2	490 21-36-0482	Positive Speaker cable	0 EA	.0	A Y	1.000000
		Ref: H1				
2	495 21-36-2260	Negative Speaker cable Flexitone II	0 EA	.0	A Y	2.000000
		Ref: H2,H4				
2	500 21-42-0032	Socket 32 pin th	0 EA	.0	A Y	1.000000
		Ref: [U18]				
2	505 21-48-9521	FUSE HOLDER CLIP p/n 19521	0 EA	.0	A Y	2.000000
		Ref: [F1]				
2	510 24-12-0025	ENCODER SHAFT 16 STEP	0 EA	.0	A Y	2.000000
		Ref: EN1,EN2				
2	515 24-18-4250	FUSE 4 Amp 250V Normal Blow 0.25" by 1.25"	0 EA	.0	A Y	1.000000
		Ref: F1				
2	520 24-24-0010	SWITCH RF power	0 EA	.0	A Y	1.000000
		Ref: SW1				
2	525 24-31-1105	TACK SWITCH	0 EA	.0	A Y	7.000000
		Ref: SW2-SW8				
2	530 30-00-0607	6-32x7/16 Phil Panhead zinc mach. screw w/ext. lock washer E	0 EA	.0	A Y	1.000000
		Ref: [U6]				
2	535 30-03-0060	Nylon Washer for #6 screw ID .140" OD 5/16 thick 1/32	0 EA	.0	A Y	1.000000
		Ref: [U6]				
2	540 30-12-2210	STANDOFF 1/2" F 6-32 Full THD. F.F. Keystone 2210	0 EA	.0	A Y	1.000000
		Ref: [U6]				

INDENTED BILL OF MATERIAL

=====						
1	420	50-00-0037	PCBA, Flex II, Line Out/Right Power Amp PCBA	0	EA	1.000000
2	10	01-04-0102	RES 1K 1/8W 5% 1206 SM	0	EA	7.000000
			Ref: R6,R12,R39,R46,R48,R50,R54			
2	20	01-04-0103	RES 10K 1/8W 5% 1206 SM	0	EA	3.000000
			Ref: R51,R52,R56			
2	30	01-04-0104	RES 100K 1/8W 5% 1206 SM	0	EA	2.000000
			Ref: R14,R41			
2	40	01-04-0153	RES CHIP 15K 5% 1/8W 1206, Thick Film	0	EA	3.000000
			Ref: R21,R24,R45			
2	50	01-04-0154	RES 150K 1/8W 5% 1206 SM	0	EA	1.000000
			Ref: R44			
2	60	01-04-0203	RES 20K 1/8W 5% 1206 SM	0	EA	1.000000
			Ref: R5			
2	70	01-04-0223	RES 22K 1/8W 5% 1206 SM	0	EA	6.000000
			Ref: R1,R4,R8,R9,(R18),R32,R34,(R40) R18 and R40 removed on EO # 0004501			
2	80	01-04-0224	RES 220K 1/8W 5% 1206 SM	0	EA	2.000000
			Ref: R16,R42			
2	90	01-04-0472	RES 4.7K 1/8W 5% 1206 SM	0	EA	1.000000
			Ref: R57			
2	100	01-04-0513	RES 51K 1/8W 5% 1206 SM	0	EA	2.000000
			Ref: R25,R36			
2	110	01-04-0563	RES 56K 1/8W 5% 1206 SM	0	EA	2.000000
			Ref: R43,R49			
2	120	01-04-0681	RES 680R 1/8W 5% 1206 SM	0	EA	4.000000
			Ref: R2,R3,R7,R10			
2	130	01-04-0622	RES 6.2K 1/8W 5% 1206 SM	0	EA	2.000000
			Ref: R19,R20			
2	140	01-12-0027	RES 2.7R 1/4W 5% DIP TH	0	EA	1.000000

INDENTED BILL OF MATERIAL

2	150 01-28-1302	Res chip 13.0k 1% 1/8W 1206	0 EA	.0	A	Y	2.000000
	P13.OKFTR						
		Ref: R47					
2	160 01-28-3013	RES 301K 1/8W 1% 1206 SM	0 EA	.0	A	Y	2.000000
		Ref: R18, R40					
		Added per EO # 0004501					
2	170 01-28-4022	RES 40.2K 1/8W 1% 1206 SM	0 EA	.0	A	Y	4.000000
	Obsolete Date: 021400	Deleted per EO # 0004501					
		Ref: R23, R33					
2	180 01-28-4222	RES 42.2K 1/8W 1% 1206 SM	0 EA	.0	A	Y	2.000000
		Ref: R11,R15,R30,R37					
2	190 01-28-4753	RES 475K 1/8W 1% 1206 SM	0 EA	.0	A	Y	2.000000
		Ref: R13,R38					
2	200 01-28-4871	RES 4.87K 1/8W 1% 1206 SM	0 EA	.0	A	Y	4.000000
		Ref: R23, R33					
		Added per EO # 0004501					
2	210 01-28-9760	RES 976R 1/8W 1% 1206 SM	0 EA	.0	A	Y	4.000000
		Ref: R22,R26,R28,R29					
2	220 03-18-0106	CAP 10uF 50V 20% RADIAL ELEC	0 EA	.0	A	Y	4.000000
	TH						
		Ref: R17,R27,R31,R35					
2	230 03-36-0104	CAP 0.1uF 50V 20% ESTR TH	0 EA	.0	A	Y	2.000000
		Ref: C2,C39,C40,C43					
2	240 03-36-0224	CAP 0.22uF 50V 20% ESTR TH	0 EA	.0	A	Y	2.000000
		Ref: C37,C38					
2	250 03-46-0104	CAP 0.1uF 50V 20% 1206 X7R SM	0 EA	.0	A	Y	8.000000
		Ref: C1,C44					
2	260 03-50-0331	Capacitor, 330pf, NPO, 50v min	0 EA	.0	A	Y	8.000000
	20% max, 0805	surface mount					
		Ref: C5,C13,C14,C18,C21,C23,C25,C26					
2	270 03-52-0100	Cap.100uf, 50V 0805 X7R	0 EA	.0	A	Y	2.000000
	80 x 50 ml.	Per ECO 0002501 1/25/00					

INDENTED BILL OF MATERIAL

=====						
		Ref: C9,C22				
2	280 03-52-0101	Capacitor, 100 pf, 0805	0 EA	.0	A Y	4.000000
		Mfg p/n# 08055A101KATMA				
		Ref: C35,C36,C49,C52				
2	290 03-52-0102	CAP 1nF 50V min 20% max 0805	0 EA	.0	A Y	10.000000
		Ref: C24,C28,C30,C34,C41,C42,C45,C46,C47,C48				
2	300 03-52-0152	Capacitor, 1.5nf, 50v, 0805	0 EA	.0	A Y	2.000000
		20% max				
		Ref: C8,C20				
2	310 03-52-0221	CAP 220pF 50V 20%	0 EA	.0	A Y	2.000000
		Ref: C50,C51				
2	320 03-52-0223	CAP 22nF 50V 20% X7R 0805	0 EA	.0	A Y	6.000000
		Ref: C4,C7,C11,C27,C32,C33				
2	330 03-52-0331	Capacitor, 330pf, 50v, 0805	0 EA	.0	A Y	8.000000
		20% max				
		Ref: c3,c6,c10,c12,c15,c17,c29,c31				
	Obsolete Date: 022900	Changed to 03-50-0331 per ECO 0002501 1/25/00				
2	340 03-52-0471	CAP 470pF 50V SMT	0 EA	.0	A Y	2.000000
		Ref: C16,C19				
2	350 12-30-3886	Power Amp, 50w TH	0 EA	.0	A Y	1.000000
		Ref: U8				
2	360 12-54-0074	IC, OP-AMP TL074	0 EA	.0	A Y	4.000000
		Ref: U1,U2,U5,U6				
2	370 21-00-4420	Jack 1/4 inch earthing washer	0 EA	.0	A Y	2.000000
		JB0661-K01-3				
		Ref: M1,M2				
2	380 21-00-6616	JACK 1/4" phone Stereo Female	0 EA	.0	A Y	2.000000
		6 pin				
		Ref: J1,J2				
2	390 21-08-0013	XLR Male Jack connector	0 EA	.0	A Y	2.000000
		Neutrik NC3MAH only				
		Ref: J3,J4				
2	400 21-23-1002	CON 10 X 2 Male Rcpt 100mI spa	0 EA	.0	A Y	1.000000
		cing				
		Ref: J5				
2	410 24-09-0222	DPDT SWITCH	0 EA	.0	A Y	1.000000
		SK-22H03				
		Ref: SW2				

INDENTED BILL OF MATERIAL

=====						
2	420 24-09-0422	4PDT SWITCH 42MS2R1	0 EA	.0	A Y	1.000000
		Ref: SW1				
1	430 50-00-0225	Cabinet, FLEXTONE XL	0 EA	.0	A Y	1.000000
2	10 30-00-0621	Screw for speaker grill	0 EA	.0	A Y	6.000000
2	20 30-00-0812	Screw,#8x3/4,Philips Truss(A) T/S,Black Oxide W/WAX (CORNER)	0 EA	.0	A Y	8.000000
2	30 30-06-1024	NUT 10-24 X 5/16 Tee Plain steel, Tape/reel package	0 EA	.0	A Y	8.000000
2	40 30-27-0022	EXTRUDED VINYL PIPING Flexitone OFF WHITE EMBOSSED WELT 180-2	0 FT	.0	A Y	2.200000
2	45 30-27-1010	VENT PLASTIC TRIM	0 EA	.0	A Y	3.000000
2	50 30-30-1520	TEXTURED CORNERS, w/ a notch & 2 legs	0 EA	.0	A Y	2.000000
2	60 30-30-1530	TEXTURED CORNERS, W/ 2 legs & a cut out	0 EA	.0	A Y	2.000000
2	70 30-36-0001	FAB Vinyl Black-Axsys 212 ASC03 Black Bronco 54" Wide	0 YD	.0	A Y	1.090000
2	80 30-39-5587	SPEAKER GRILL CLOTH FLEXTONE Mfg # FN558701	0 YD	.0	A Y	.390000
2	90 30-48-1686	Rubber Feet, AX2-HD-XL-212s	0 EA	.0	A Y	4.000000



PCBA Configurations for Flexitone 2, Flexitone 2 Plus and Flexitone 2 XL

The Flexitone 2, Flexitone 2 Plus and Flexitone 2 XL amplifiers all use the same main PCBA but the board must be configured for the particular version (Plain, Plus or XL) to work properly. When ordering, please indicate which flavor of Flexitone 2 board is needed. When you receive the board, it is recommended that you check the board for proper configuration.

FLEXTONE 2 (plain or mono version)

D25 should be removed
D40 should be removed
R32 should be installed

FLEXTONE 2 Plus

D25 should be installed
D40 should be removed
R32 should be removed

FLEXTONE 2 XL

D25 should be removed
D40 should be installed
R32 should be removed

	<u>D25</u>	<u>D40</u>	<u>R32</u>
Flex 2 Plain	OUT	OUT	IN
Flex 2 Plus	IN	OUT	OUT
Flex 2 XL	OUT	IN	OUT

Flex 2 Test Procedure

1. Hold down TAP button while turning amp on.
2. Five software tests will run automatically. An LED on the front panel will turn on for each test that passed. LEDs may take several seconds to turn on.
LED A - EPROM Test
LED B - SRAM Test
LED C - MIDI Test (A MIDI cable must be connected from the MIDI In port to the MIDI out port of the amp for this test to be valid.)
LED D - ADC Test (This is a production test that requires a special test fixture. Please ignore.)
LED SAVE - Battery backed RAM.
3. Advance to next test stage by pressing the MANUAL button. MANUAL will scroll through three more tests A,B,C. Each LED A,B,C will light up to indicate which test has been selected. Start with Test A. Press the SAVE button to start Test A.

TEST A – Test the front panel LEDs.

LED Test – All front panel LEDs will light up together, then each LED will light up one at a time from left to right. Make sure brightness for all LEDs is the same and that each LED turns on/off properly.

When Test A is complete, B LED light up to indicate that Test B has been selected. Press SAVE to start Test B.

TEST B – Test buttons (Manual, A, B, C, D, Save and Tap Tempo), encoders (amp models & effects knobs) and pots (except master volume).

BUTTON Test – Push each button and check that the LED for that button toggles on/off.

ENCODER TEST – Start with both encoders in the 12 o'clock position. Turn encoder clockwise and the LEDs will light up, one at a time from left to right. The sequence will repeat 2 times. At the end of the sequence, LED A will turn on followed by MANUAL LED. Check both encoders

POTS Test – Turn each pot from one end to the other. LEDs will light up, one at a time from left to right or vice versa, depending on which direction the pot shaft is turned. The master volume pot cannot be tested.

Press and hold SAVE button to exit Test B. LED C will light up to indicate Test C has been selected.

TEST C – This is a production test that requires a special test fixture. Please ignore.



Service Dept.

6033 De Soto Ave.

Woodland Hills, CA 91367

P. 818-575-3600

F. 818-676-1585

E. service@line6.com

Procedure for reinitialization of Flexitone and Flexitone 2 amps
(Hard reset)

Power unit up while holding down the A, B, C, and D buttons. Hold for 3 seconds and then release. Factory presets will be re-installed.

Procedure for identifying firmware version of Flexitone and
Flexitone 2 amps

Power unit up while holding down the “C” button. “D” button will flash for major version; “Save” button will flash for minor version.

Example: For Flexitone 2.1 software, the “D” button will flash 2 times and then the “Save” button will flash once.