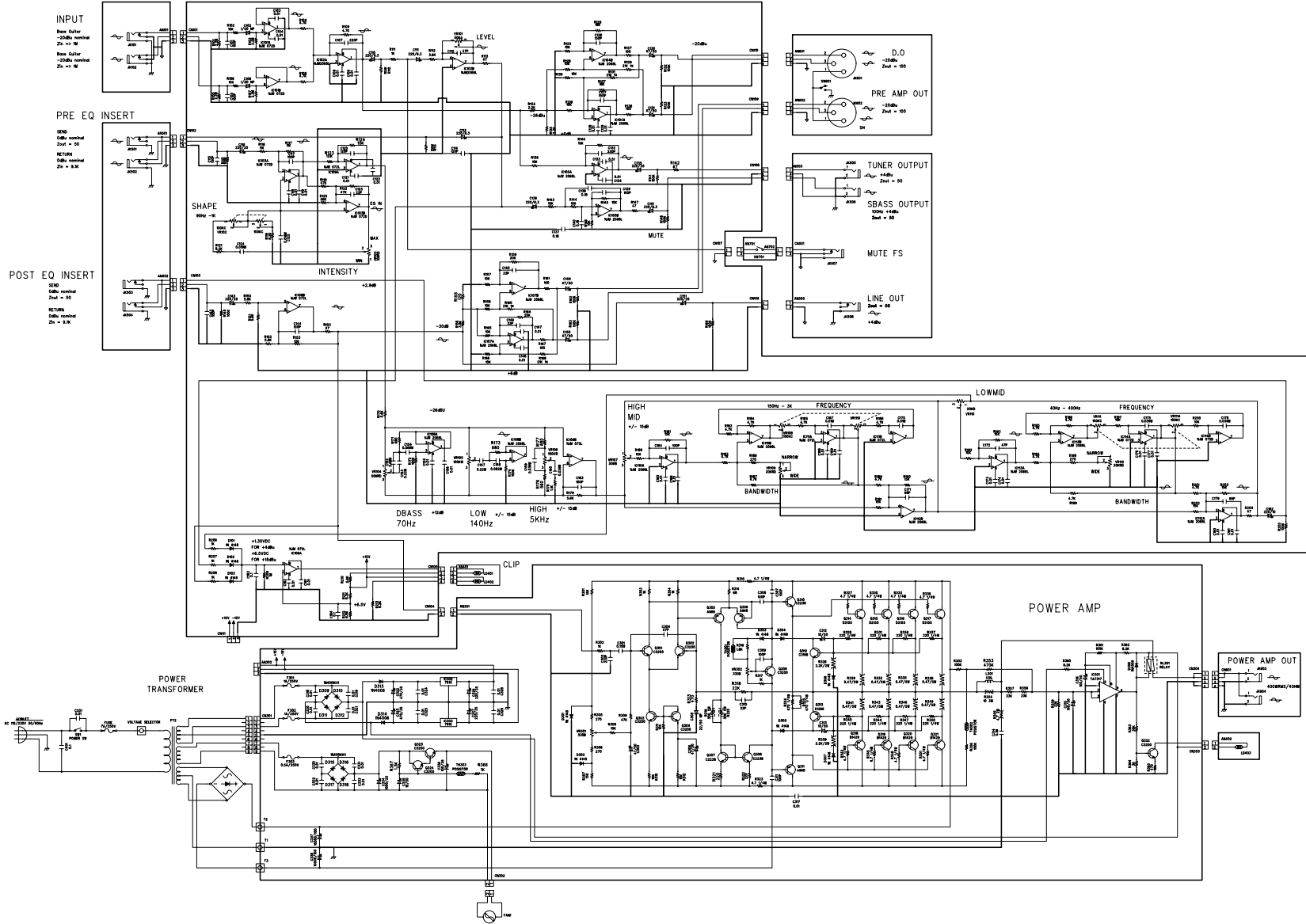


HA-4000 SCHEMATIC DIAGRAM



COMPANY :				
TITLE : HA 4000				
DES	DRAWN	CHECKED	ISSUED	RELEASED
DATE	DRAWING NUMBER	REV	REV	
DATE :	SHEET :	OF		