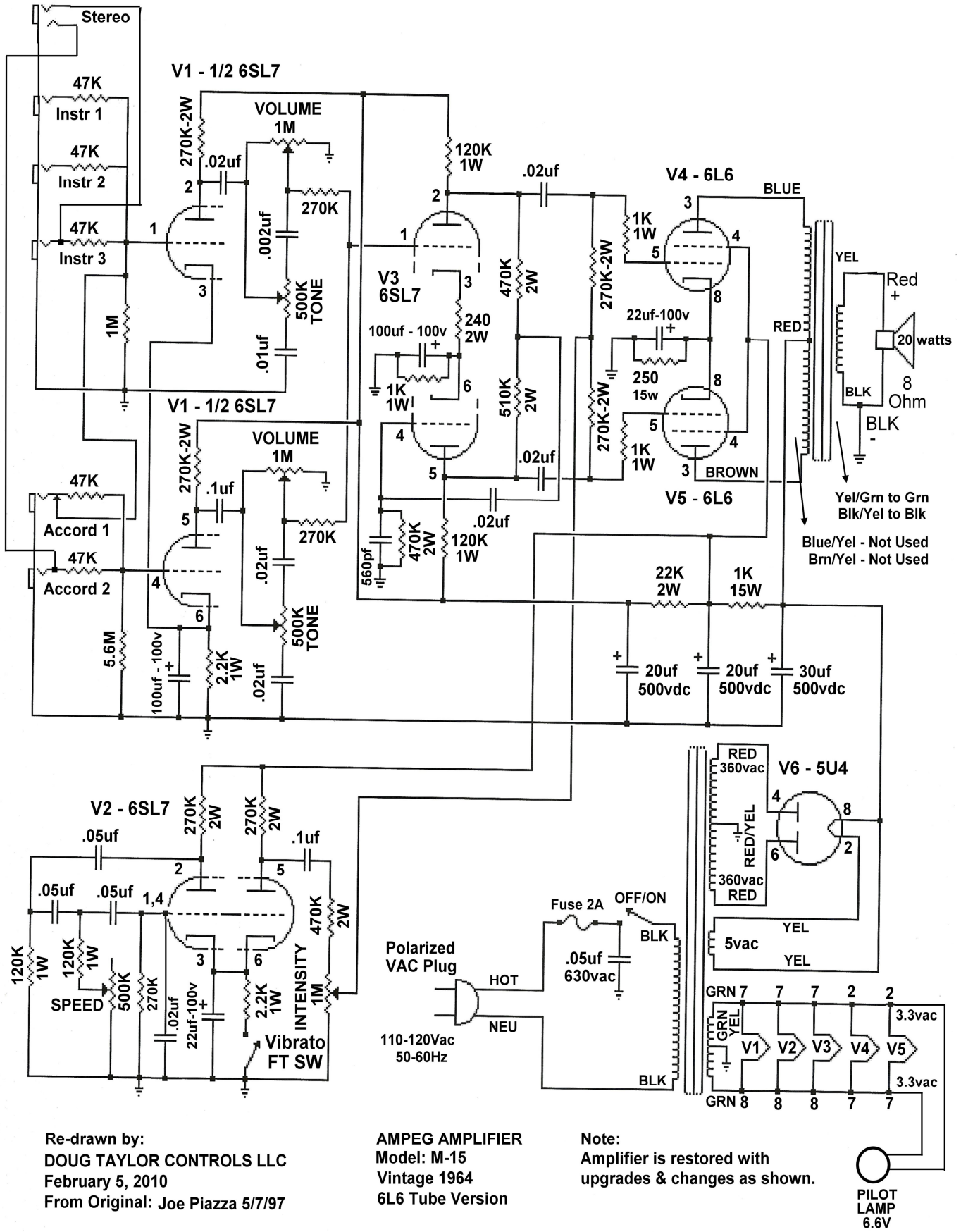


Capacitors are in uF unless noted
 Capacitors are 630vdc unless noted
 Resistors are 1/2 watt unless noted



Re-drawn by:
 DOUG TAYLOR CONTROLS LLC
 February 5, 2010
 From Original: Joe Piazza 5/7/97

AMPEG AMPLIFIER
 Model: M-15
 Vintage 1964
 6L6 Tube Version

Note:
 Amplifier is restored with
 upgrades & changes as shown.

PILOT
 LAMP
 6.6V