

ALLEN & HEATH



WARNING – HIGH VOLTAGES

Power Supply Unit (PSU) work should only be carried out by qualified personnel.

We recommend that you use an approved Allen & Heath service centre for all power supply work.

Please contact your local Allen & Heath distributor for more details.

<http://www.allen-heath.com/>

GL²²⁰⁰

Audio mixing console

**ALLEN
&
HEATH**

SERVICE MANUAL

PUBLICATION: AP3389

CONTENTS

Introduction	3
Service and Technical Support.....	3
Safety Warning & General Precautions	3
The GL2200 Range & Options	4
Flightcasing the Console.....	4
Dimensions	4
Specifications & Connections	5
Ordering a GL2200 Console, Options and Documentation.....	6
Ordering an Assembly	7
Ordering a Spares Kit	8 - 9
Front Panel Layout.....	10
Rear Panel Layout	11
Block Diagram.....	12
GL2200 INPUT Circuit Board component Ident	AG3395
GL2200 INPUT Circuit Diagram	C3395
GL2200 STEREO Circuit Board component Ident	AG3428
GL2200 STEREO Circuit Diagram (Page 1 of 2)	C3428
GL2200 STEREO Circuit Diagram (Page 2 of 2)	C3428
GL2200 GROUP Circuit Board component Ident.....	AG3425
GL2200 GROUP Circuit Diagram (Page 1 of 2)	C3425
GL2200 GROUP Circuit Diagram (Page 2 of 2)	C3425
GL2200 LEFT Circuit Board component Ident	AG3426
GL2200 LEFT Circuit Diagram (Page 1 of 3)	C3426
GL2200 LEFT Circuit Diagram (Page 2 of 3)	C3426
GL2200 LEFT Circuit Diagram (Page 3 of 3)	C3426
GL2200 RIGHT Circuit Board component Ident.....	AG3427
GL2200 RIGHT Circuit Diagram (Page 1 of 2)	C3427
GL2200 RIGHT Circuit Diagram (Page 2 of 2)	C3427
GL2200 OSC/NOISE Circuit Board component Ident	AG3519
GL2200 OSC/NOISE Circuit Diagram	C3519
GL2200 PSU Circuit Board component Ident.....	AG3504
GL2200 PSU Circuit Diagram.....	C3504

Warning to the Service Engineer

Allen & Heath warns that any unauthorised changes or modifications to the **GL2200** unit may invalidate the legal compliance of the unit and could void the user's authority to operate the equipment.

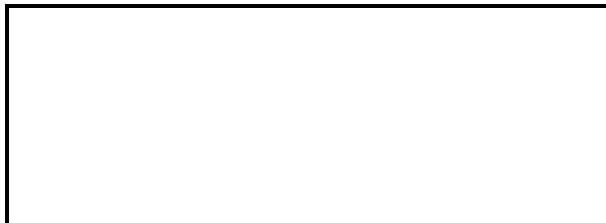
GL2200 Service Manual AP3389 Issue 1. Copyright © 1999 Allen & Heath. All rights reserved

MANUFACTURED IN ENGLAND BY:

ALLEN & HEATH
Kernick Industrial Estate
Penryn, Cornwall, TR10 9LU. UK
<http://www.allen-heath.com>

H A DIVISION OF HARMAN INTERNATIONAL INDUSTRIES Ltd

ALLEN & HEATH AGENT:



Introduction

The information presented in this manual is intended for competent technical personnel to carry out service and product support for the **GL2200** range of consoles. We assume that the reader is familiar with the related electronic theory and audio terminology, and is able to carry out servicing, faultfinding and repair of audio equipment of this type. Service personnel should also be familiar with audio systems, mains earthing and power requirements, as well as handling precautions.

For information on the configuration, operation and application of the GL2200 range, please refer to GL2200 User Guide (A&H Part no: AP3388).

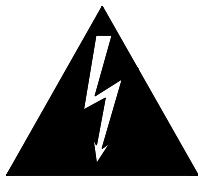
Whilst we believe the information in this manual to be reliable we do not assume responsibility for inaccuracies. We also reserve the right to make changes in the interest of further product development.

Service and Technical Support

Under normal conditions the **GL2200** does not require user maintenance or internal calibration. Any service work required should be carried out by qualified service personnel only.

We are able to offer further product support through our world-wide network of approved dealers and service agents. You can also access our Web site on the Internet for information on our product range, assistance with your technical queries or simply to chat about audio matters. To help us provide the most efficient service please keep a record of the console serial number, the date and place of purchase to be quoted in any communication regarding this product.

SAFETY WARNING!



Mains electricity is dangerous and can kill. Mains voltage is present within the console power supply unit.

Do not remove the power supply cover with mains electricity connected. To ensure your safety, mains earth is connected to the chassis through the power lead. Do not remove this mains earth connection.

To avoid the risk of fire, replace the mains fuse only with the correct value and type as indicated on the power supply unit.



The internal power supply unit contains no serviceable components and must be replaced as a complete unit if a failure occurs.

General Precautions

Your **GL2200** is ruggedly constructed to give many years of reliable operation. However, you will extend the life of the console and preserve its cosmetics by applying these simple common sense precautions.

- Avoid storing or using the mixing console in conditions of excessive heat or cold, or in positions where it is likely to be subject to vibration, dust, dirt or moisture.
- Do not use any liquids to clean the control surface of the console, a soft dry brush or dry lint-free cloth is ideal.
- Use only water or ethyl alcohol to clean the trim and scribble strips. Other solvents may cause damage to paint or plastic parts.
- The faders, switches and potentiometers are lubricated for life. The use of electrical lubricants on these parts is not recommended.
- Avoid using the console close to strong sources of electromagnetic radiation (e.g. video monitors, high power electric cabling): this may cause degradation of the audio quality due to induced voltages in connecting leads and chassis. For the same reason, always site any external power supply away from the unit.

The GL2200 Range

12, 16, 24 and 32 channel models

GL2200-412	10 mono, 2 stereo, 4 groups, 6 aux, 2 stereo returns, L, R, Mono sum
GL2200-416	14 mono, 2 stereo, 4 groups, 6 aux, 2 stereo returns, L, R, Mono sum
GL2200-424	22 mono, 2 stereo, 4 groups, 6 aux, 2 stereo returns, L, R, Mono sum
GL2200-432	30 mono, 2 stereo, 4 groups, 6 aux, 2 stereo returns, L, R, Mono sum

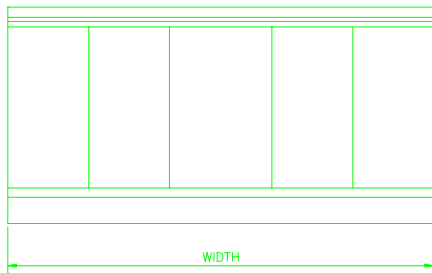
Options

GL2200-SL1	Sys-link buss expander, one kit per console
RPS9	2U rack mount power supply for backup

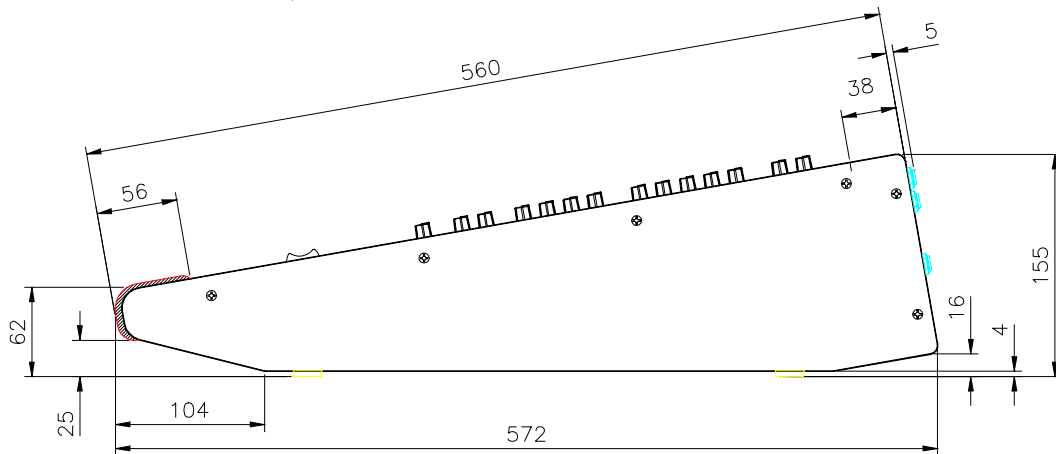
Flightcasing The Console

If the console is to be regularly moved we recommend that it is installed in a foam-lined flightcase. At all times avoid applying excessive force to any knobs, switches or connectors.

Dimensions for flightcasing the console are shown below:



GL2200 - 412	width 548mm
GL2200 - 416	width 668mm
GL2200 - 424	width 920mm
GL2200 - 432	width 1160mm



Dimensions

	Unpacked				Packed			
	Width	depth	height	weight(kg)	Width	depth	height	weight(kg)
GL2200-412	548	572	155	16	700	750	280	20
GL2200-416	668	572	155	18	815	750	280	23
GL2200-424	920	572	155	24	1065	750	280	29
GL2200-432	1160	572	155	30	1325	750	280	35
RPS9 power supply	483	140	96	6	540	270	180	8

Specifications

0 dBu = 0.775 Volts rms 0 dBV = 1 Volt rms

HEADROOM:..... +21dB

MAX OUTPUT:XLR +25dBu 2kohm max load
.....JACK +21dBu 2kohm max load

METERS: L, R.....peak reading 12 bar LED
Groups 1-4.....peak reading 4 segment LED
Channels.....peak reading 4 segment LED

PEAK LEDs: Turn on 5dB before clipping

FREQUENCY RESPONSE referred to 1kHz @ +4dBu:
Any input to any output..... 20Hz to 30kHz +0/-1dB

DISTORTION: THD+Noise @ +14dBu 1kHz
Mic in to L-R output, 40dB gain0.010%
Line in to L-R output, 0dB gain0.008%

CMRR
Mic in, 40dB gain @ 1kHz >88dB

CROSSTALK: Referred to driven channel @ 1kHz
Adjacent channel < -94dB
Channel fader off < -90dB
Channel mute on < -90dB
Channel Pan pot isolation < -80dB

NOISE: Measured rms, 22kHz bandwidth
Mic input EIN (150 ohm source)..... < -128dB
Line preamp, 0dB gain..... < -90dBu
L-R output residual noise < -94dBu (98dB S/N)
L-R faders '0', nothing routed..... < -90dBu (94dB S/N)
L-R mix noise (16 channels routed) < -84dBu (88dB S/N)
Group, faders '0', nothing routed..... < -91dBu (95dB S/N)
Group mix noise (16 channels routed). < -84dBu (88dB S/N)

POWER SUPPLY:..... 100 to 240V AC @ 47/63Hz
..... Internal, autosensing AC mains input
Power consumption:60W max
Mains Fuse rating 100-240VAC: T1A 250V 20mm

Connections

INPUTS:

Mic inXLR.....	pin 2 hot, 3 cold, balanced>2k Ohm.....	variable -60 to -20dBu
Line inXLR.....	pin 2 hot, 3 cold, balanced>10k Ohm.....	variable -30 to +10dBu
	or TRS jacktip hot, ring cold, balanced>10k Ohm.....	variable -30 to +10dBu
Stereo Ch Line inTRS jacktip hot, unbalanced>8k Ohm-20dBu min
Stereo ReturnTRS jacktip hot, unbalanced>6k Ohm-10dBV min
2-Track ReturnRCA PHONOunbalanced>10k Ohm-10dBV min
Insert ReturnTRS jacktip send, ring return, unbalanced>6k Ohm0dBu (chan), -2dBu (out)

OUTPUTS:

L-R, Group outXLR.....	pin 2 hot, 3 cold, balanced<75 Ohm+4dBu, +27dBu max
Direct outTRS jacktip hot, impedance balanced<75 Ohm0dBu
2-Track sendsRCA PHONOunbalanced<75 Ohmvariable +21dBu max
Aux outTRS jacktip hot, impedance balanced<75 Ohmvariable +21dBu max
Mono outXLR.....	tip hot, ring cold, balanced<75 Ohm+4dBu, +27dBu max
Insert sendTRS jacktip send, ring return, unbalanced<75 Ohm0dBu (chan), -2dBu (out)
Monitor outTRS jacktip left, ring right, unbalanced<75 Ohmvariable +21dBu max
Phones outTRS jacktip left, ring right	for stereo headphones 30 to 600 Ohms

Ordering a *GL2200* Console

To order a new console please specify the model number and AC mains voltage required.

MODEL	DESCRIPTION	ORDER CODE
<i>GL2200</i> 12 Channel	10 mono + 2 stereo input channels	GL2200-412/volts
<i>GL2200</i> 16 Channel	14 mono + 2 stereo inputs channels	GL2200-416/volts
<i>GL2200</i> 24 Channel	22 mono + 2 stereo inputs channels	GL2200-424/volts
<i>GL2200</i> 32 Channel	30 mono + 2 stereo inputs channels	GL2200-432/volts

Ordering an Option

To order an option please specify the serial number of the console that is to have the option fitted.

MODEL	DESCRIPTION	ORDER CODE
<i>GL2200-SL1</i>	GL2200 SYS-LINK KIT	GL2200-SL1
	GL2200 Balanced Output IC option	AE0302
<i>RPS9</i>	2U external linear power supply	RPS9/volts

Manuals and Support Documentation

DESCRIPTION	ORDER CODE
<i>GL2200</i> User Guide	AP3388
<i>GL2200</i> Service Manual	AP3389
<i>GL2200</i> Brochure	AP3390
<i>GL2200</i> SYS-LINK Fitting Instructions	AP3622
<i>GL2200</i> SYS-LINK Application Note	AP3623
<i>RPS9</i> User Guide	AP0334

Service Tools

The tools required to service the *GL2200* are standard to an electronic service workshop and are easily obtainable. The following items are necessary for disassembly and service access:

1-point Crosshead screwdriver (M3, 4AB)	AT0004
2-point Crosshead screwdriver (M4, 6AB)	AT0002
11mm AF Nutdriver (potentiometer nuts)	
12mm AF Nutdriver (jack nuts)	

Ordering an Assembly

The following assemblies are supplied fully tested. Please note that several of these need to be assigned according to their position in the console. This is achieved by soldering wire links or assignment pads. It is best to check the assignment settings of the assembly you are replacing before removing it from the console. Please quote the description and order code for the part required.

Printed Circuit Board (PCB) Assemblies:

* specify position of PCB assembly

	Mono Input & Connector PCB assembly	002-412
	Stereo Input & Connector PCB assembly	002-442
	* Group PCB assembly	002-439
	OSC/Noise PCB assembly	002-453
	Left PCB assembly	002-440
	Right PCB assembly	002-441
	Switch Mode PSU assembly (12 & 16)	002-456
	Switch Mode PSU assembly (24 & 32)	002-457

IDC connector harnesses:

GL2200-412	20 way Main harness	AL3535
GL2200-416	20 way Main harness	AL3536
GL2200-424	20 way Main harness	AL3537
GL2200-432	20 way Main harness	AL3538

The Chassis Trim

GL2200 (all formats)	Left & Right Chassis side trims	AA2539-L/R
	Write-on strip (specify console size)	AK0327

Ordering a Spares Kit

It is recommended that the spares kit order code **002-481** is held and maintained by the service agent to enable in-field service repairs to the **GL2200** independent of the ALLEN & HEATH factory. Commonly available items such as resistors, capacitors, tools and soldering equipment are not included. The contents of the kit are listed below and are supplied in a cabinet of drawers. Individual spare parts may be ordered. Please quote the description and order code for the part required.

DESCRIPTION	ORDER CODE	QTY
-------------	------------	-----

Fixings:

Screw 4AB x 5/16 CSK Pozi Black	AB0059	5
Screw 6AB x 3/8 Pan Pozi Black	AB0062	10
Screw M3 x 6mm Pan Pozi Black	AB0072	5
Screw M3 x 8mm Pan Pozi Black	AB0073	10
Screw M3 x 12mm Pan Pozi Black	AB0078	5
Screw M3 x 16mm Pan Pozi Black	AB0079	5
Nylock Nut M3	AB0102	5
Screw M3 x 4mm Pan Pozi Black	AB0233	10
Screw 4AB x 1/4 Pan Pozi Plated	AB0252	4
Screw 6B x 1/4 Trunc Pozi Zinc	AB2083	10
Screw 4 x 5/16 Pan Pozi Plastite	AB2771	5
Screw 6B x 5/16 Pan Pozi Black	AB2809	5
Screw 4 x 5/16 Poly Pan Pozi	AB2810	10

Knobs and caps:

Knob Red & Grey 11mm D	AJ2074	10
Knob Blue & Grey 11mm D	AJ2075	10
Knob Light Blue & Grey 11mm D	AJ2076	10
Knob Green & Grey 11mm D	AJ2077	10
Knob Dark Grey & Grey 11mm D	AJ2078	10
Knob Yellow & Grey 11mm D	AJ2079	10
Knob Brown & Grey 11mm D	AJ2080	10
Button 5.5mm Square Grey	AJ2864	10
Button 10 x 5mm Rectangular Grey	AJ2865	10
Button Round Black	AJ2887	1
Button 5.5mm Square White	AJ2960	10
Button 5.5mm Square Red	AJ2961	10
Button 10 x 5mm Rectangular White	AJ2962	10
Button 10 x 5mm Rectangular Black	AJ3228	3
Fader Knob 11mm White+Black Line	AJ8078	10
Fader Knob 11mm Red+Black Line	AJ8079	5
Fader Knob 11mm Yellow+Black Line	AJ8080	5
Fader Knob 11mm Blue+Black Line	AJ8081	5

Faders, Potentiometers, Switches and connectors:

Pot 10KC x 2 (103C 14mm wide)	AI0150	5
Pot 20KK (203K 11mm wide)	AI8003	5
Pot 20KB centre click (203B 11mm wide)	AI8004	5
Pot 200KC x 2 (204C 11mm wide)	AI8005	5
Pot 20KB x 2 centre click (14mm wide)	AI8006	5
Pot 20KK x 2 (203K 14mm wide)	AI8007	5

Pot 10K centre click (103AC 14mm wide)	AI8008	5
Pot 5K (502RD 11mm wide)	AI8111	5
Fader 10KA x 2 60mm	AI8051	5
Fader 10KD 100mm	AI8117	10
Fader 10KD x 2 100mm	AI8118	5
Switch 2PCO Latching 90 Deg	AL0162	5
Switch 4PCO Latching	AL0333	5
Switch 2PCO Momentary	AL0374	5
Jack Socket Headphone	AL0328	1
XLR 3 Pin Female Vertical PCB Mount	AL2410	5
XLR 3 Pin Male Vertical PCB Mount	AL2411	5
Molex 0.1" Male 10 Pin 90 Deg	AL2572	3
Molex 0.1" Female 10 way Straight	AL2573	3
Jack Socket ¼" Stereo Unswitched	AL3407	5
Jack Socket ¼" Stereo Switched	AL3410	5
Pot Nut 9mm	AB8050	10

LEDs and Semiconductors:

Transistor BC549 NPN	AE0020	3
Transistor BC638 PNP	AE0037	2
Transistor BC637 NPN	AE0068	2
Transistor 2N4403 PNP	AE0273	5
Transistor BC556B PNP	AE3001	2
Transistor 2SB737 PNP	AE8069	5
IC Op-Amp TL072	AE0046	5
IC LM339N Quad Comparator	AE0071	2
IC CMOS 4053B	AE0117	1
IC Op-Amp NE5532N	AE0221	5
LED 3mm T1 Yellow	AE0084	5
LED 3mm T1 Green	AE0085	5
LED 3mm T1 Red	AE0086	5
LED Bar Rectangular 12 Way	AE2701	1
LED 5 x 2mm Rectangular Red Flat Top	AE3502	10

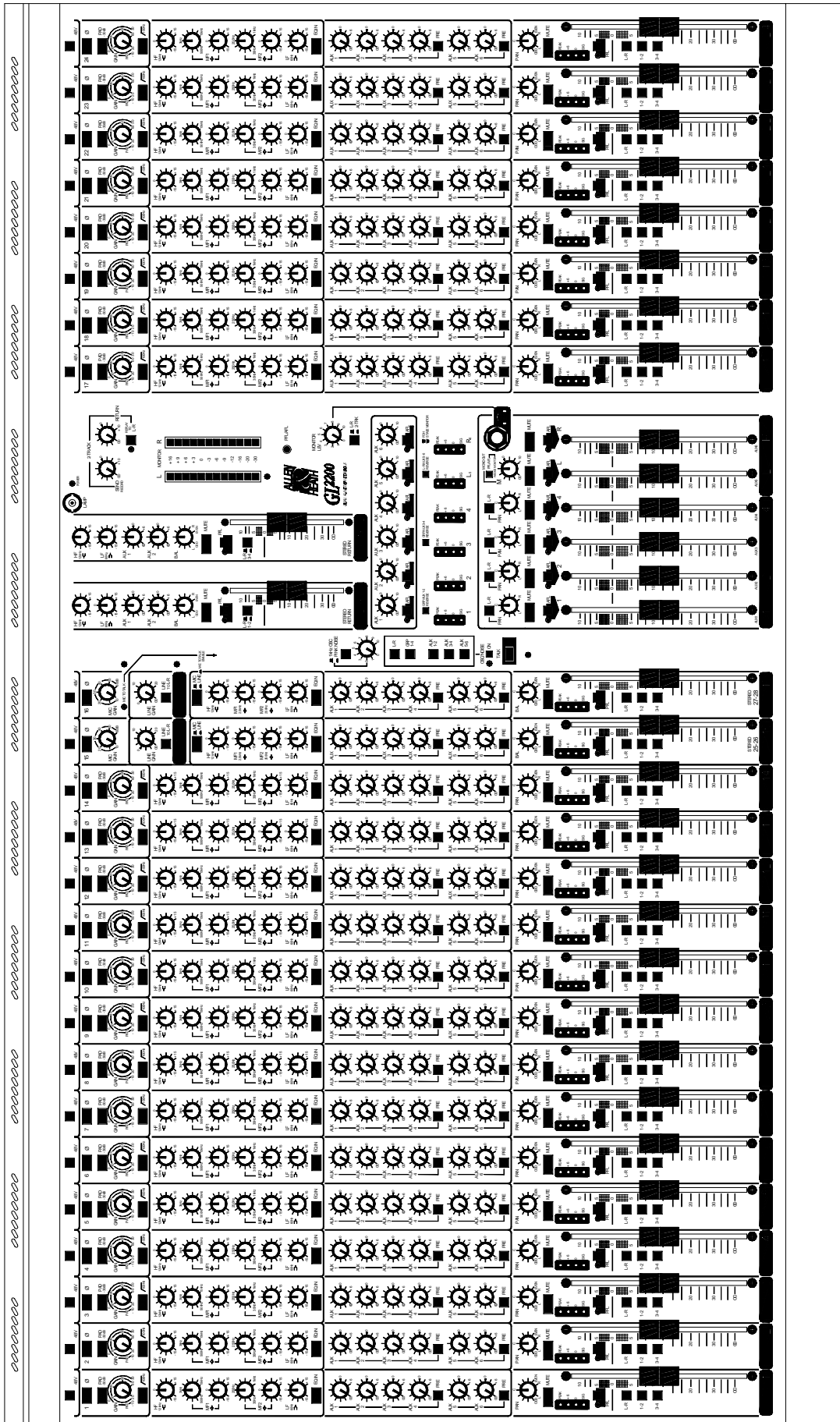
Power Supply:

Mains Lead IEC-2pin EURO	AH0205	-
Mains Lead IEC-3pin UK	AH0206	-
Mains Lead IEC-3pin US (C33)	AH0323	-
Mains Fuse 20mm 1A Anti-Surge	AL0305	10

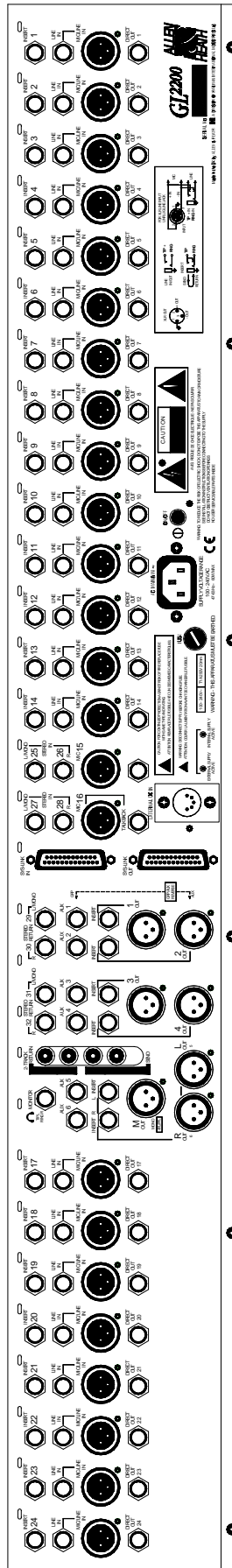
Miscellaneous:

GL2200-412 Packing Assembly	002-435	-
GL2200-416 Packing Assembly	002-436	-
GL2200-424 Packing Assembly	002-437	-
GL2200-432 Packing Assembly	002-438	-
Flex Cable 12 Way 90mm	AH2228	5

GL2200 FRONT PANEL

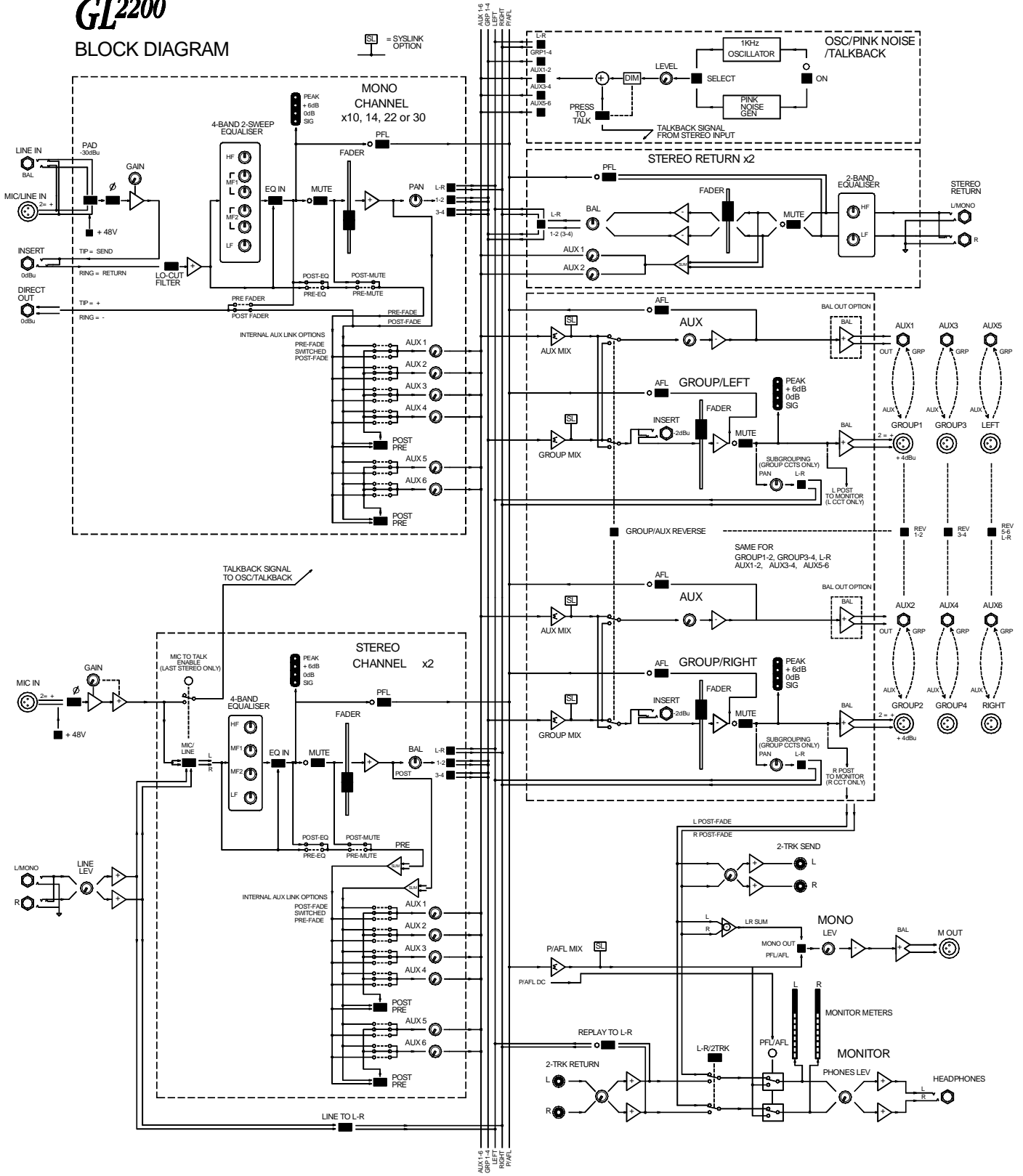


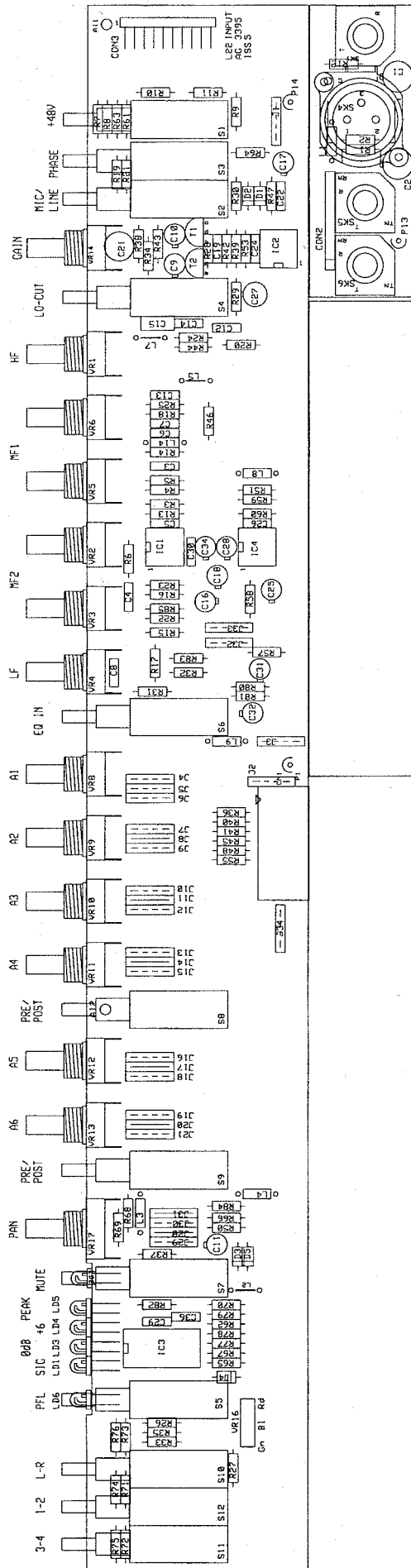
GL2200 REAR PANEL



GL2200

BLOCK DIAGRAM

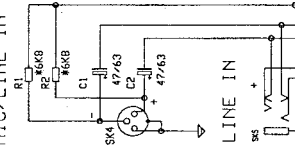
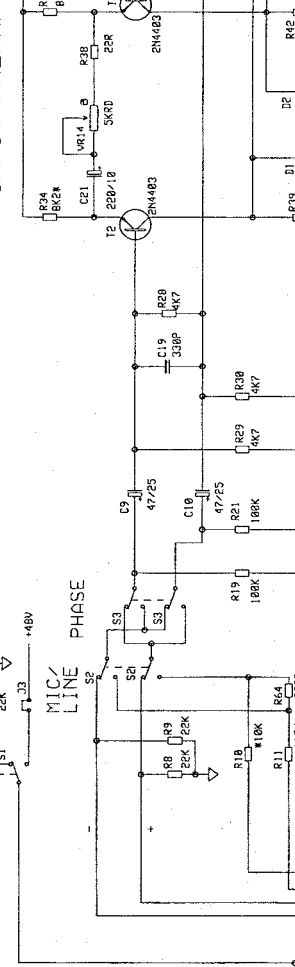




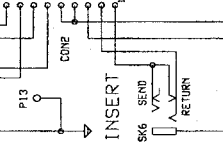
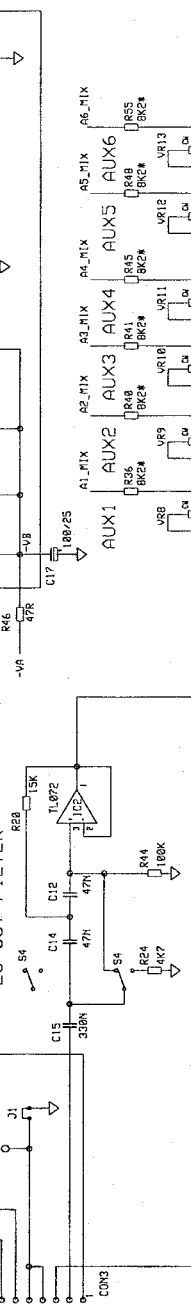
20 WAY MAIN RIBBON



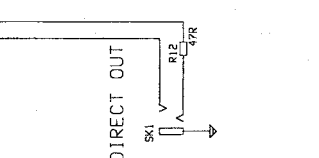
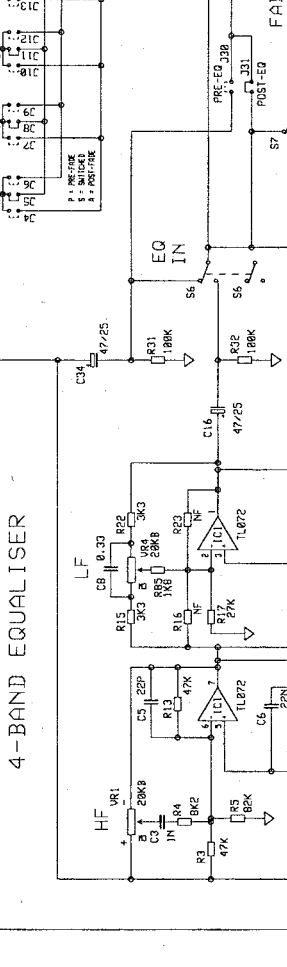
INPUT PREAMP



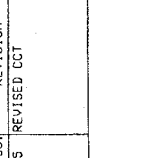
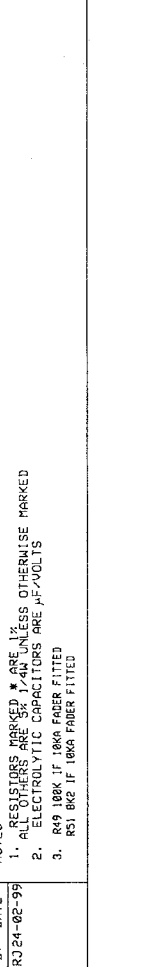
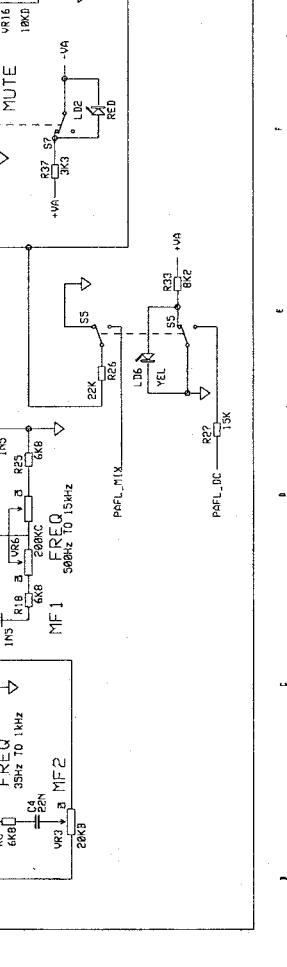
LO-CUT FILTER



4-BAND EQUALISER



SIGNAL METER

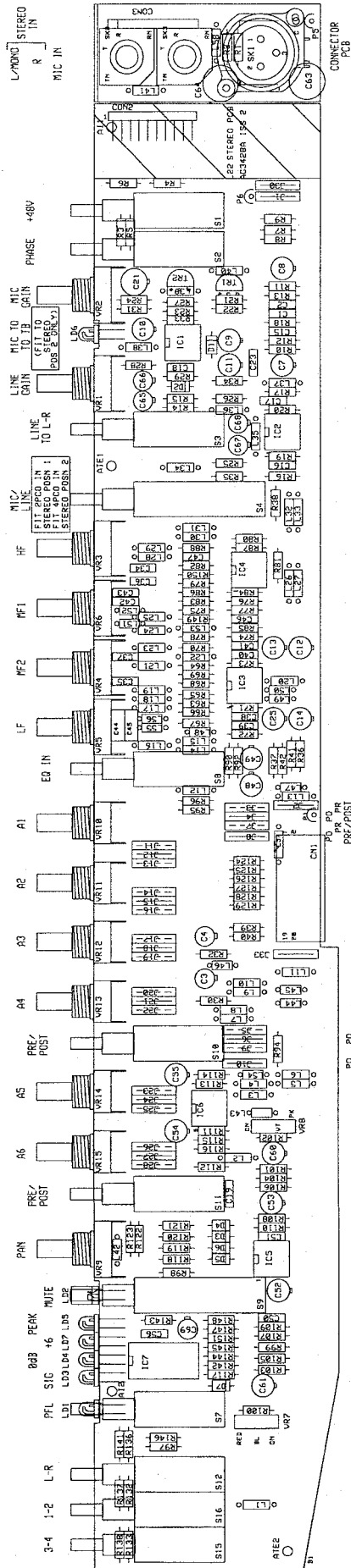


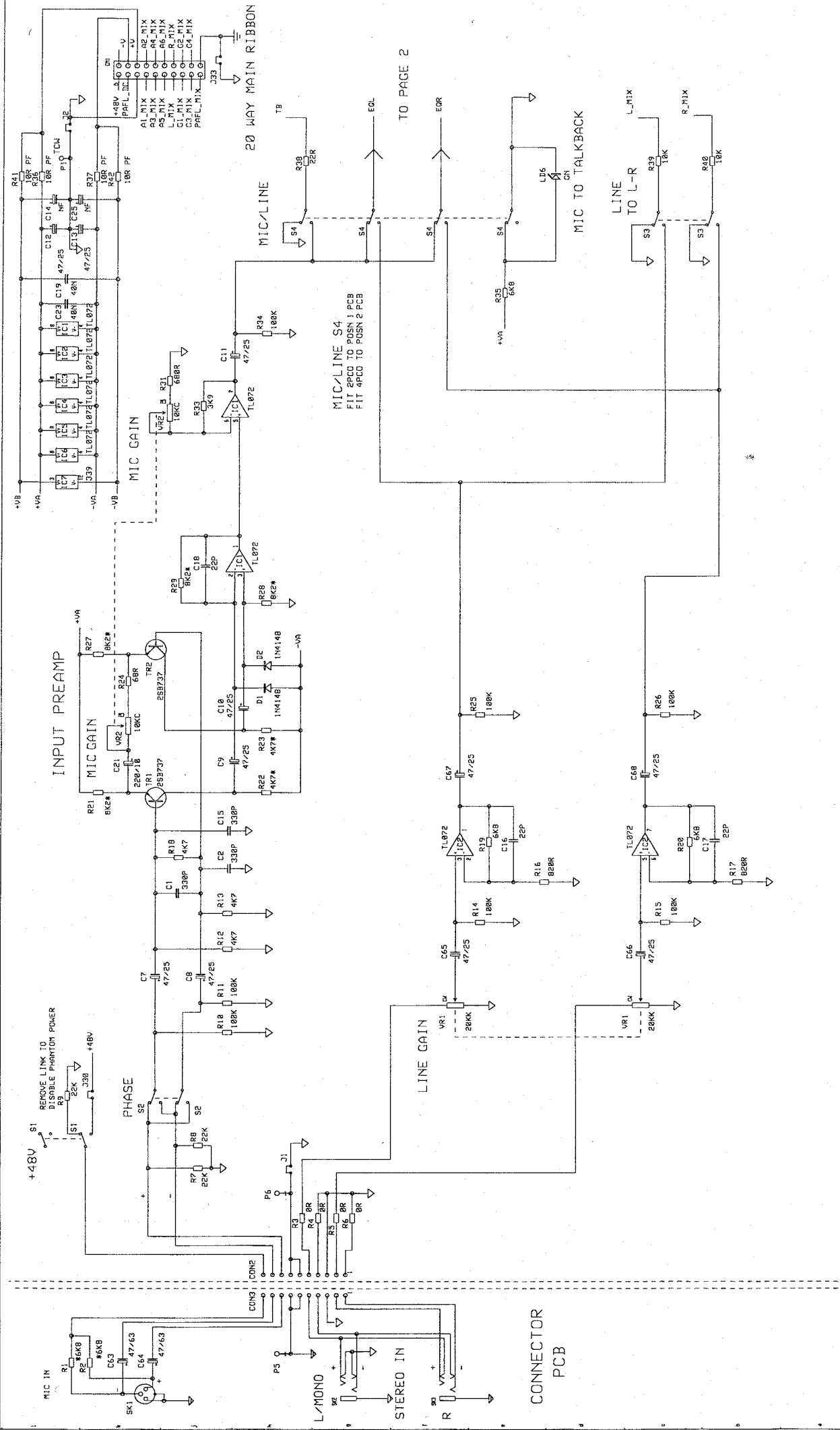
ISS. 5
 REVISION
 AR224-02-99
 REVISED COT

NOTES
 1. RESISTORS MARKED * ARE UNLESS OTHERWISE MARKED
 2. ELECTROLYTIC CAPACITORS ARE MF/VOLTS
 3. R49 100K IF 100K FADER FITTED
 R51 82K IF 100K FADER FITTED

UNIT TITLE
 L22
 DRAWING TITLE
 CIRCUIT DIAGRAM
 INPUT PCB

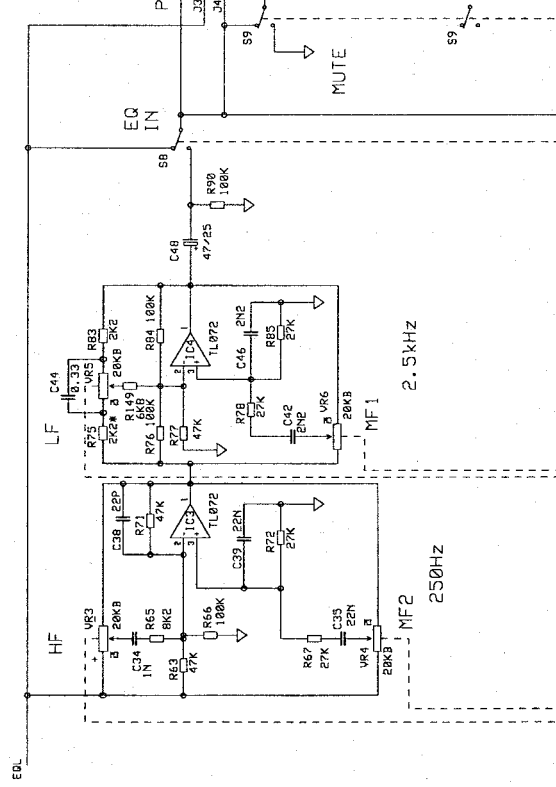
ALLEN & HEATH
 ELECTRONIC INDUSTRIES LTD
 BRISTOL, ENGLAND
 TEL: (44) (8) 1326 37887
 FAX: (44) (8) 1326 37897
 DRAWING NO. C3395
 ISSUE 5
 AI



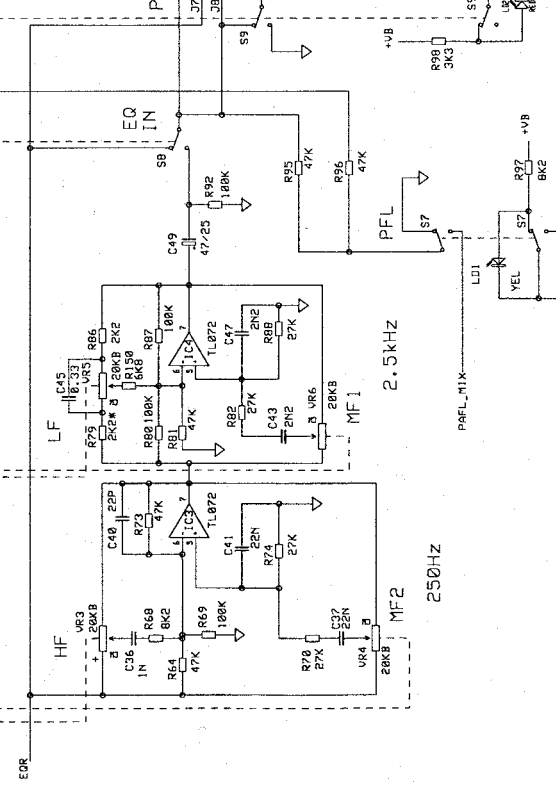


ISS.	REVISION	BY	DATE	NOTES
1	ORIGIN	DPB	12-8-98	1. RESTORES WORKING REV. 14
2	PRODUCTION	DPB	15-9-98	2. ALL DIMS ARE IN UNLESS OTHERWISE NOTED
	FABER CORRECTION	ART	05-02-99	3. ELECTRONIC COMPONENTS INC./P/O/US
UNIT TITLE				L22
DRAWING TITLE				CIRCUIT DIAGRAM
				STEREO PCB
PAGE 1 OF 2				ALLEN & HEATH
				TELEPHONE: 01454 77999
				FAX: 01454 77997
				ADDRESS: ALLEN & HEATH, DIVISION OF ARROW INTERNATIONAL, WINDERSHILL, UNITED KINGDOM
				DRAWING NO. C3428
				ISSUE 2

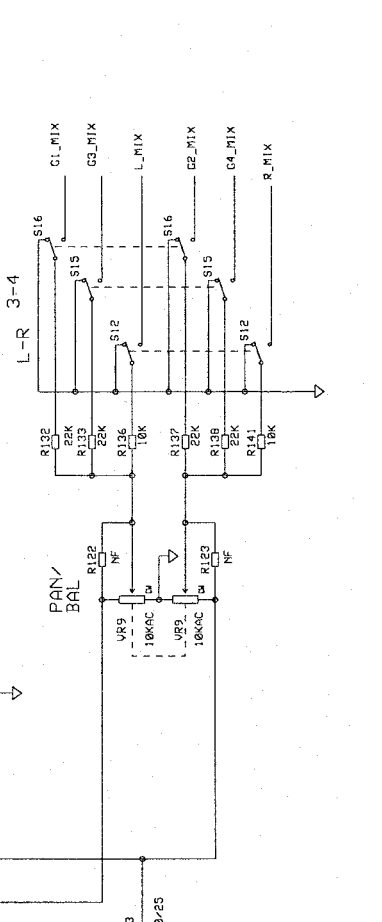
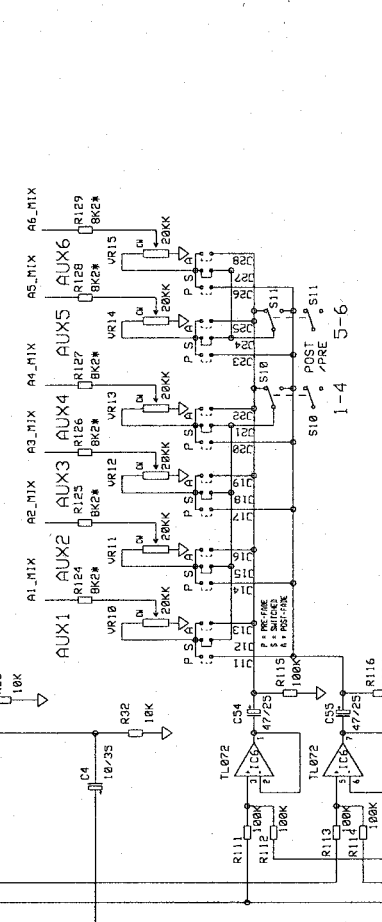
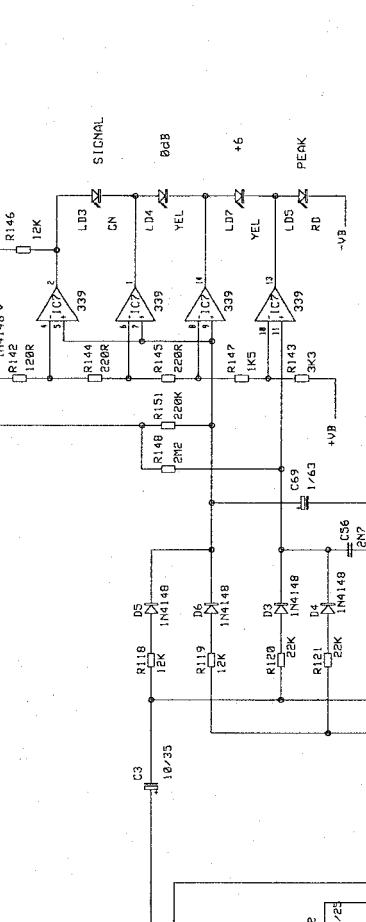
4-BAND EQUALISER



4-BAND EQUALISER



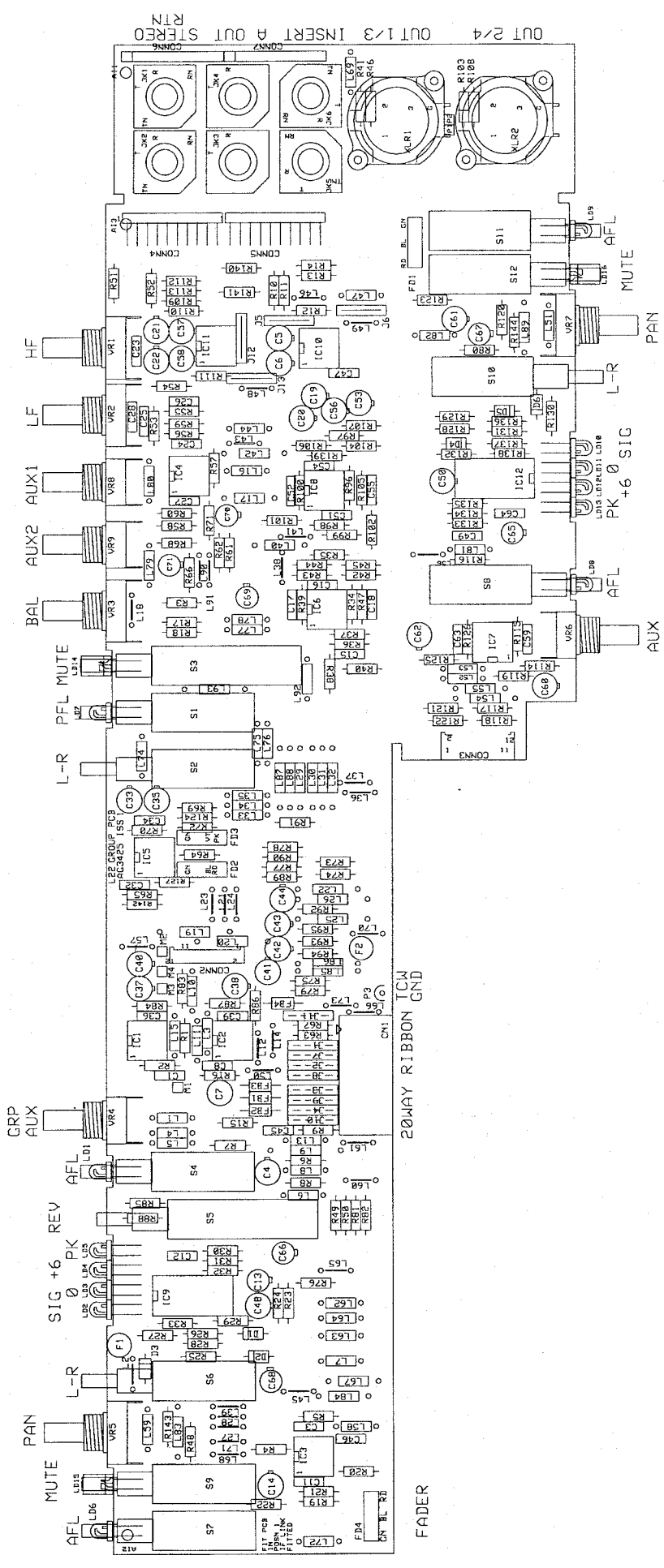
SIGNAL METER



EDL

EPR

ISS.	REVISION	BY DATE	NOTES
A	ORIGIN PRODUCTION	DRP 12-8-98	1. RESISTOR VALUES ARE IN OHMS UNLESS OTHERWISE NOTED
1	FADER CORRECTION	DRP 15-9-98	2. ELECTROLYTIC CAPACITORS ARE µF/OILS
2		ART 05-02-99	
UNIT TITLE			L22
DRAWING TITLE			CIRCUIT DIAGRAM
			STEREO PCB
PAGE 2 OF 2			ISSUE 2
ALLEN & HEATH			TEL: (44) (0) 1336 37000
KENTON INDUSTRIAL ESTATE			FAX: (44) (0) 1336 37007
SHEPHERD WATSON ROAD			WIMBORNE, DORSET BH20 7JN
UNIT NO. C3428			



OUT 2/4 OUT 1/3 INSERT A OUT STEREO RTN

20WAY RIBBON TCN

FADER

MUTE PAN
AFL MUTE PAN
L-R
SIG +6
REV
AFL MUTE PAN
AUX
AFL MUTE PAN
AFL MUTE PAN

MUTE PAN
AFL MUTE PAN
L-R
SIG +6
REV
AFL MUTE PAN
AUX
AFL MUTE PAN
AFL MUTE PAN

CRP AUX

AFL

L-R

MUTE PAN

AFL

MUTE PAN

AFL

MUTE PAN

AFL

MUTE PAN

AFL

MUTE PAN

AFL

MUTE PAN

AFL

MUTE PAN

AFL

MUTE PAN

AFL

MUTE PAN

AFL

MUTE PAN

AFL

MUTE PAN

AFL

MUTE PAN

AFL

MUTE PAN

AFL

MUTE PAN

AFL

MUTE PAN

AFL

MUTE PAN

AFL

MUTE PAN

AFL

MUTE PAN

AFL

MUTE PAN

AFL

MUTE PAN

AFL

MUTE PAN

AFL

MUTE PAN

AFL

MUTE PAN

AFL

MUTE PAN

AFL

MUTE PAN

AFL

MUTE PAN

AFL

MUTE PAN

AFL

MUTE PAN

AFL

MUTE PAN

AFL

MUTE PAN

AFL

MUTE PAN

AFL

MUTE PAN

AFL

MUTE PAN

AFL

MUTE PAN

AFL

MUTE PAN

AFL

MUTE PAN

AFL

MUTE PAN

AFL

MUTE PAN

AFL

MUTE PAN

AFL

MUTE PAN

AFL

MUTE PAN

AFL

MUTE PAN

AFL

MUTE PAN

AFL

MUTE PAN

AFL

MUTE PAN

AFL

MUTE PAN

AFL

MUTE PAN

AFL

MUTE PAN

AFL

MUTE PAN

AFL

MUTE PAN

AFL

MUTE PAN

AFL

MUTE PAN

AFL

MUTE PAN

AFL

MUTE PAN

AFL

MUTE PAN

AFL

MUTE PAN

AFL

MUTE PAN

AFL

MUTE PAN

AFL

MUTE PAN

AFL

MUTE PAN

AFL

MUTE PAN

AFL

MUTE PAN

AFL

MUTE PAN

AFL

MUTE PAN

AFL

MUTE PAN

AFL

MUTE PAN

AFL

MUTE PAN

AFL

MUTE PAN

AFL

MUTE PAN

AFL

MUTE PAN

AFL

MUTE PAN

AFL

MUTE PAN

AFL

MUTE PAN

AFL

MUTE PAN

AFL

MUTE PAN

AFL

MUTE PAN

AFL

MUTE PAN

AFL

MUTE PAN

AFL

MUTE PAN

AFL

MUTE PAN

AFL

MUTE PAN

AFL

MUTE PAN

AFL

MUTE PAN

AFL

MUTE PAN

AFL

MUTE PAN

AFL

MUTE PAN

AFL

MUTE PAN

AFL

MUTE PAN

AFL

MUTE PAN

AFL

MUTE PAN

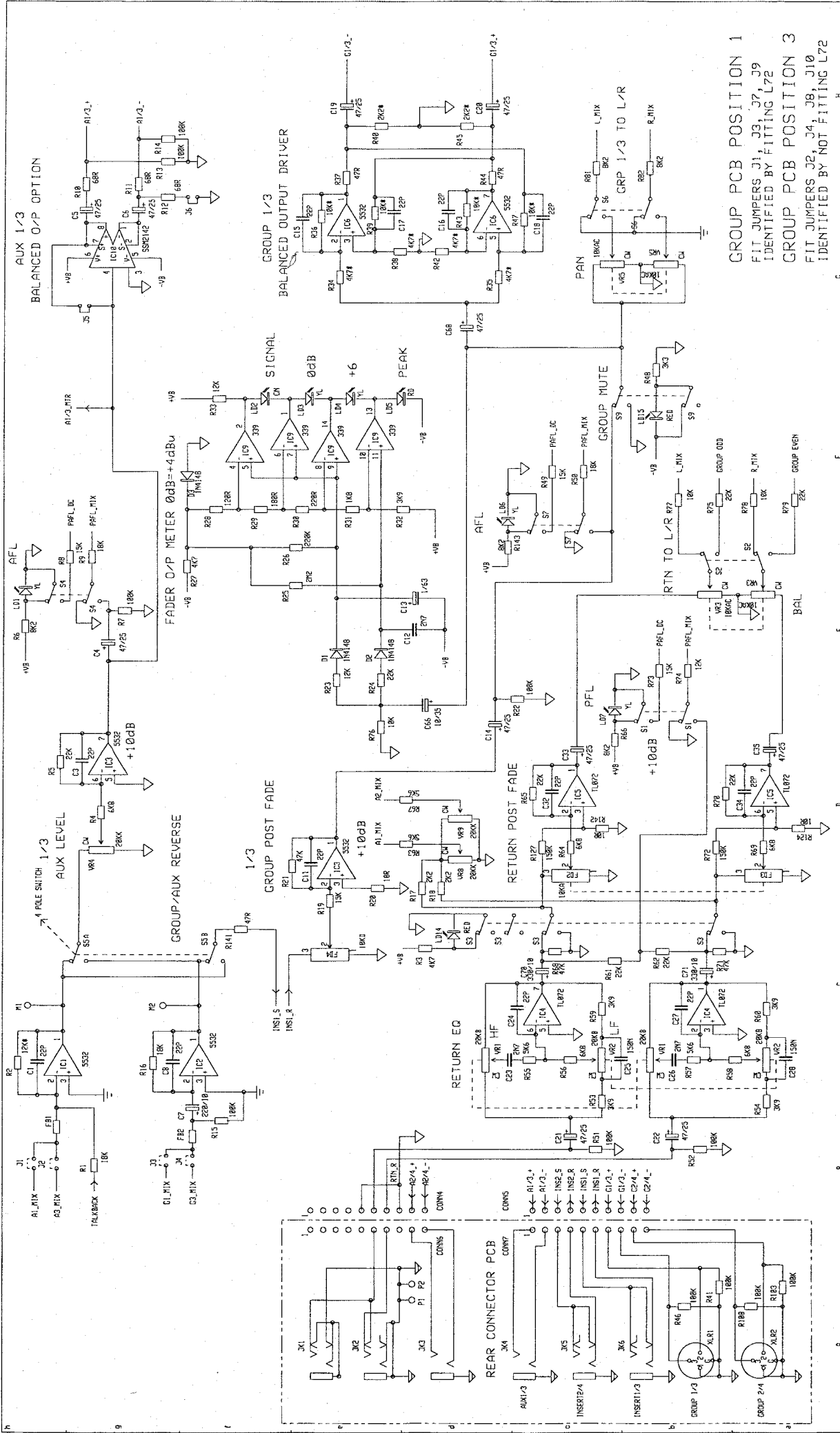
AFL

MUTE PAN

AFL

MUTE PAN

AFL



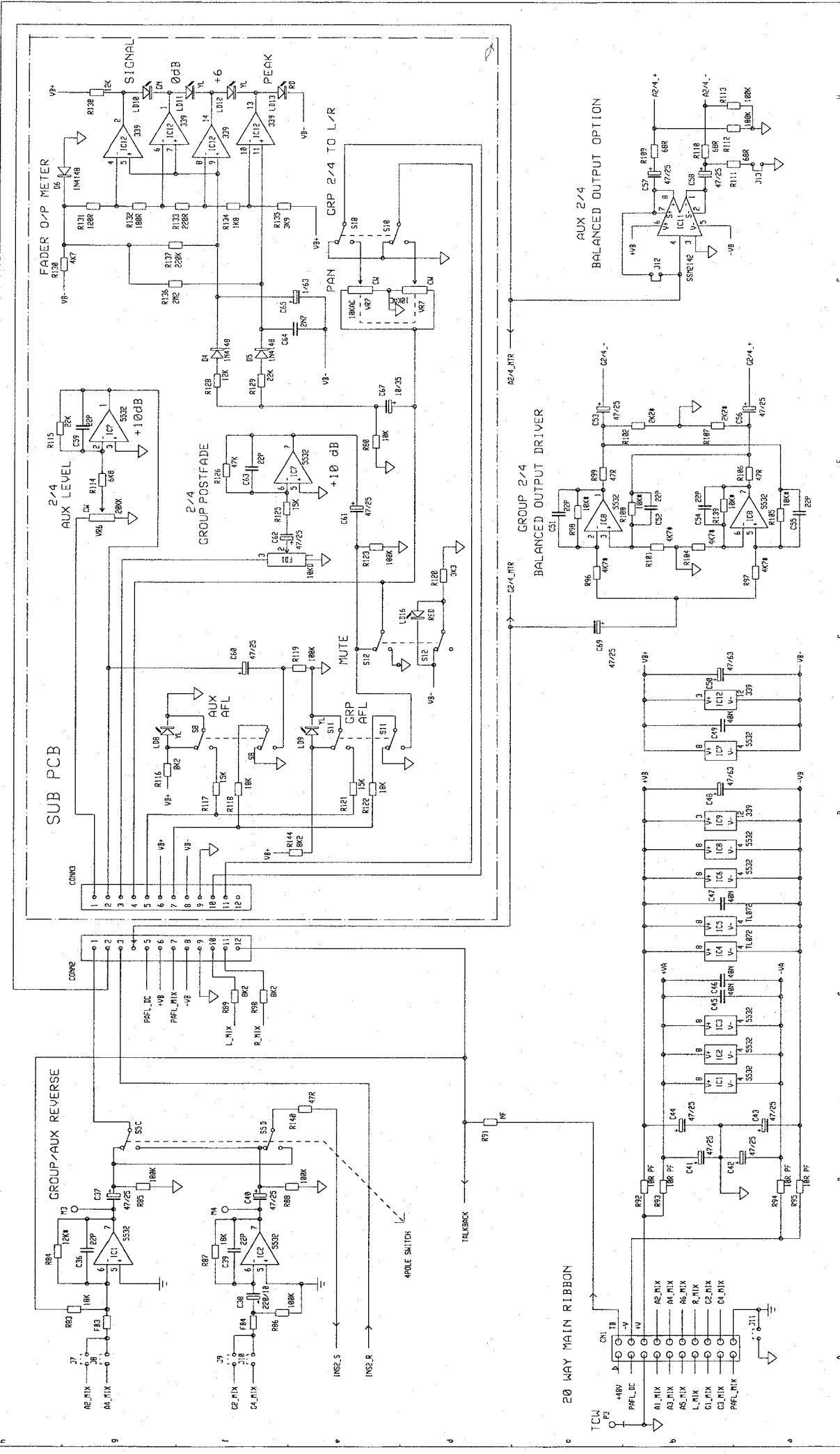
ISS.	REVISION	BY	DATE	NOTES
1	ORIGIN	DRP	24-8-98	1. RESISTORS MARKED * ARE 1% ALL OTHERS ARE 5% 1/4W UNLESS OTHERWISE MARKED
2	PRODUCTION	AAT	21-09-98	2. ELECTROLYTIC CAPACITORS ARE 4% VAULTS
	REVISION	DWD	25-02-99	

UNIT TITLE	L22
DRAWING TITLE	CIRCUIT DIAGRAM GROUP PCB
PAGE 1 OF 2	
AC3425	
ISSUE	2

ALLEN & HEATH KERNUX INDUSTRIAL ESTATE PENRYN CORNWALL ENGLAND TR10 9LU	TEL. (44) (0) 1326 372818 FAX. (44) (0) 1326 378977
ALLEN & HEATH A DIVISION OF HARMAN INTERNATIONAL INDUSTRIES LIMITED	

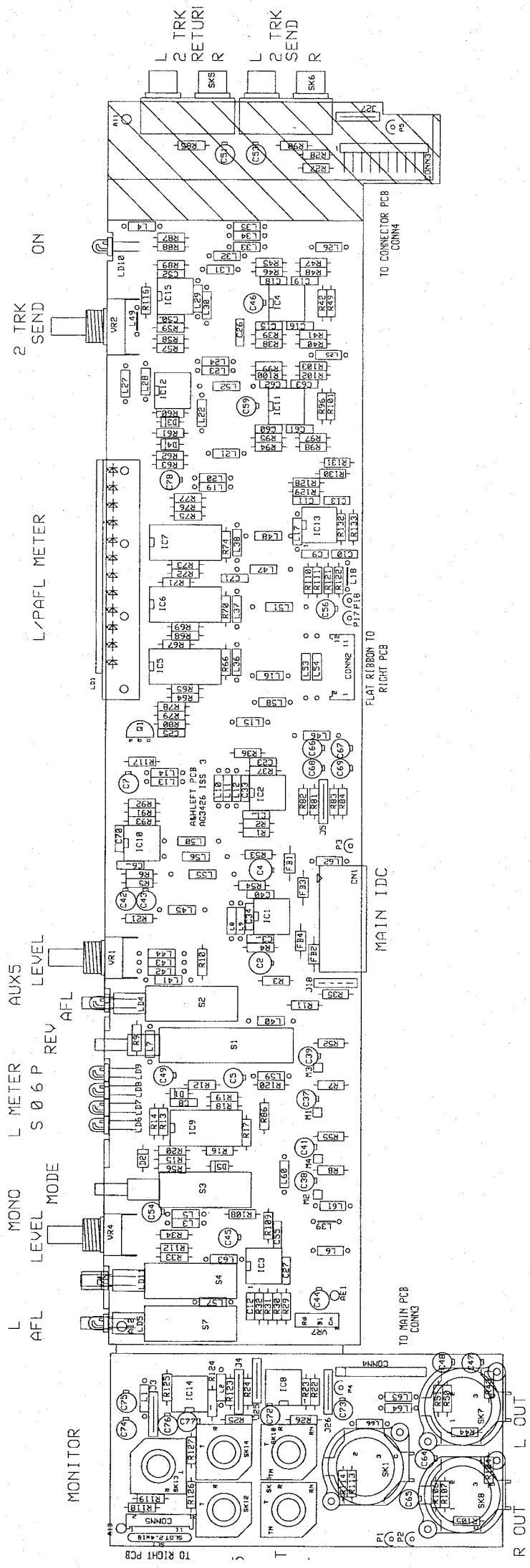
GROUP PCB POSITION 1
FIT JUMPERS J1, J3, J7, J9
IDENTIFIED BY FITTING L72

GROUP PCB POSITION 3
FIT JUMPERS J2, J4, J8, J10
IDENTIFIED BY NOT FITTING L72



ISS.	REVISION	BY	DATE	NOTES	UNIT TITLE	DRAWING TITLE	SCALE	ISSUE
1	ORIGIN	DRP	24-8-98	1. RESISTORS MARKED # ARE 1% ALL OTHERS ARE 5% 1/4W UNLESS OTHERWISE MARKED	L22	CIRCUIT DIAGRAM	1:1	2
2	PRODUCTION	AAT	21-09-98	2. ELECTROLYTIC CAPACITORS ARE µF/ALTS	PAGE 2 OF 2	GROUP PCB		2
	REVISION	DWD	25-02-99		AG3425			2

ALLEN & HEATH
 KENLYCK INDUSTRIAL ESTATE
 PENRYN
 CORNWALL
 ENGLAND TR18 9LU
 ALLEN & HEATH IS A DIVISION OF HARROLD INTERNATIONAL INDUSTRIES LIMITED
 DRAWING NO. C3425
 TEL. (44) (0) 1326 372070
 FAX. (44) (0) 1326 377897



L AFL LEVEL
MONO L METER
S 0 6 P REV AFL
AUX5 LEVEL
2 TRK SEND ON

L/P A/F L METER

L AFL LEVEL
MONO L METER
S 0 6 P REV AFL
AUX5 LEVEL
2 TRK RETURN

MONITOR

FLAT RIBBON TO
RIGHT PCB

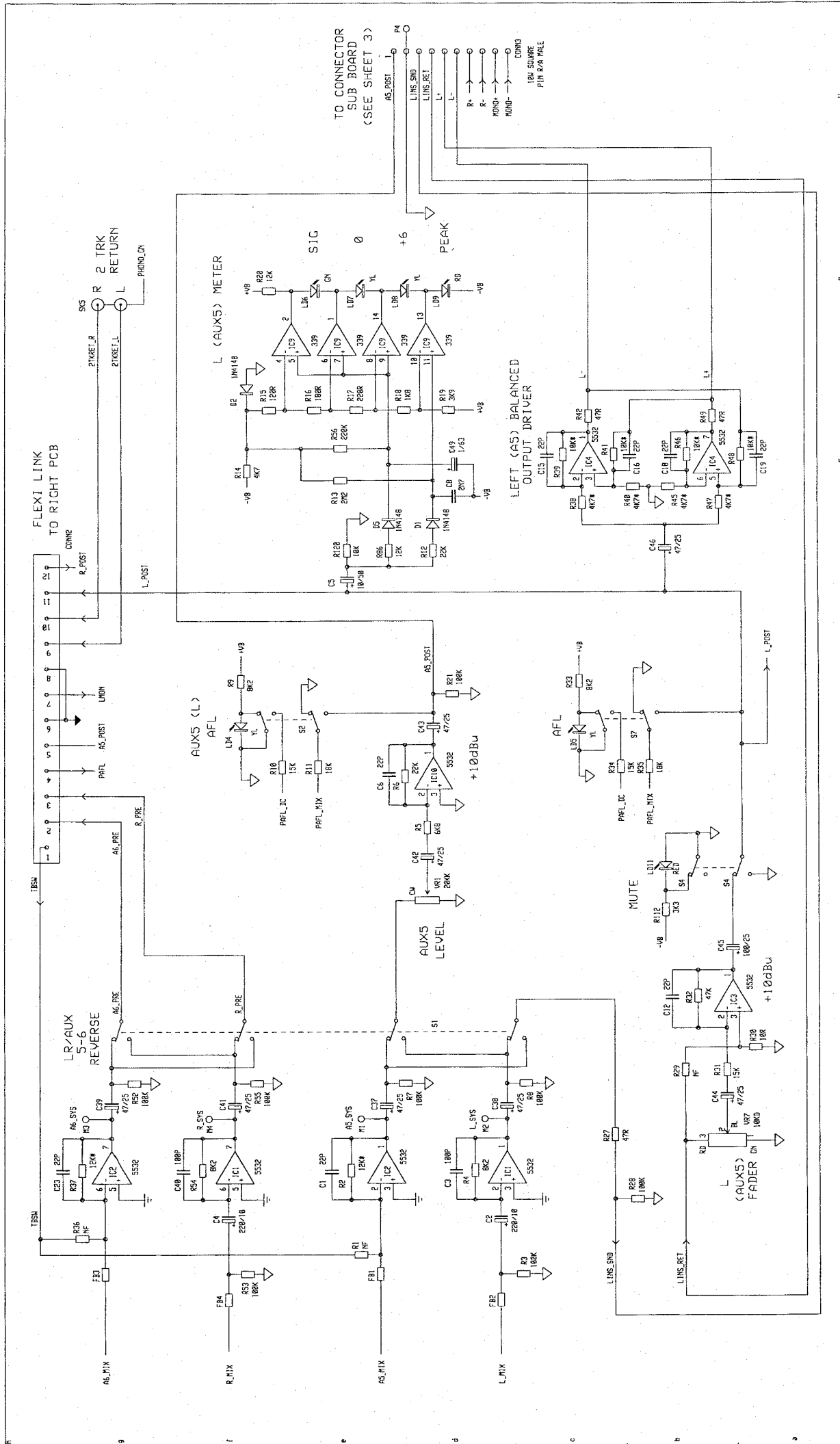
MAIN IDC

TO CONNECTOR PCB
CONNS

TO MAIN PCB
CONNS

TO RIGHT PCB

R OUT
L OUT



ISS.	REVISION	BY	DATE	NOTES
A	ORIGIN PRODUCTION	DRP	27-7-98	1. RESISTORS MARKED 'A' ARE 1% ALL OTHERS ARE 5% UNLESS OTHERWISE MARKED
1	CONN GND MOD	DRP	9-10-98	2. ELECTROLYTIC CAPACITORS ARE µF/MULTS
2		AAAT	26-01-99	

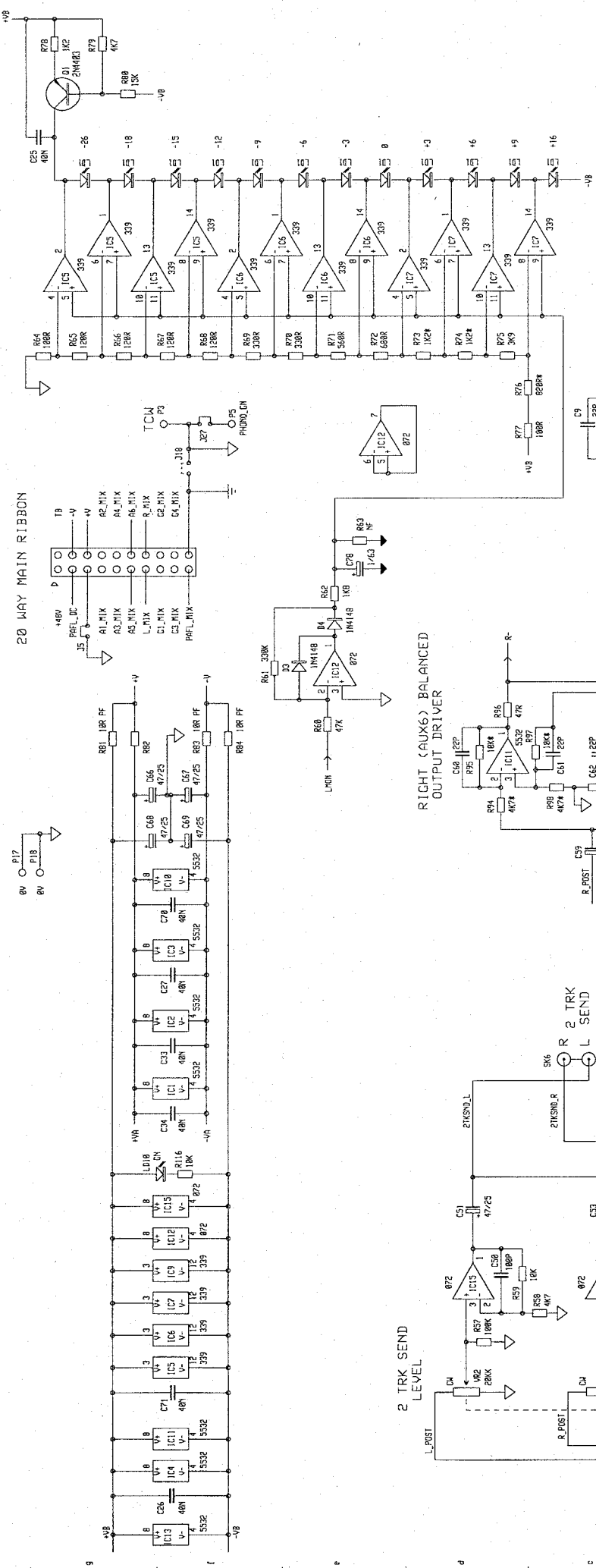
UNIT TITLE	ISSUE
L22	2

DRWING TITLE	ISSUE
CIRCUIT DIAGRAM LEFT PCB	2

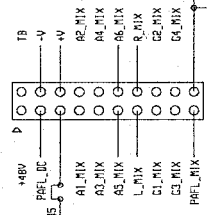
DRWING No.	ISSUE
C3426	2

ALLEN & HEATH
RESEARCH INDUSTRIAL ESTATE PENRYN CORNWALL ENGLAND TR10 8LU ALLEN & HEATH A DIVISION OF HARMON INTERNATIONAL INDUSTRIES LIMITED
TEL. (44) (0) 1366 378070 FAX. (44) (0) 1366 378079

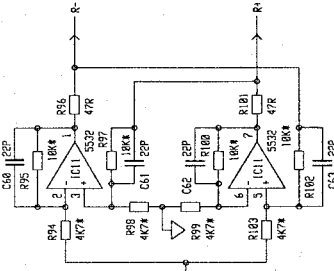
20 WAY MAIN RIBBON



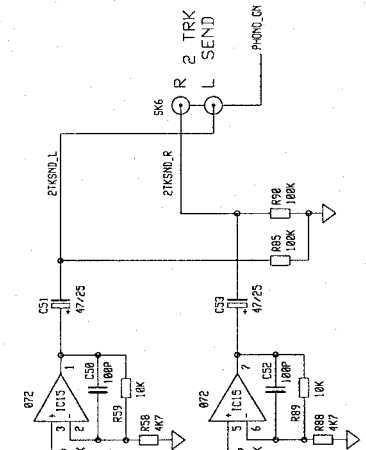
0V P17
0V P18



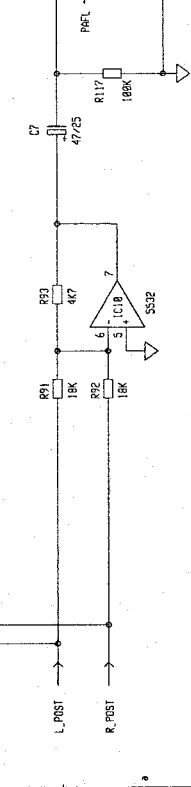
RIGHT (AUX6) BALANCED OUTPUT DRIVER



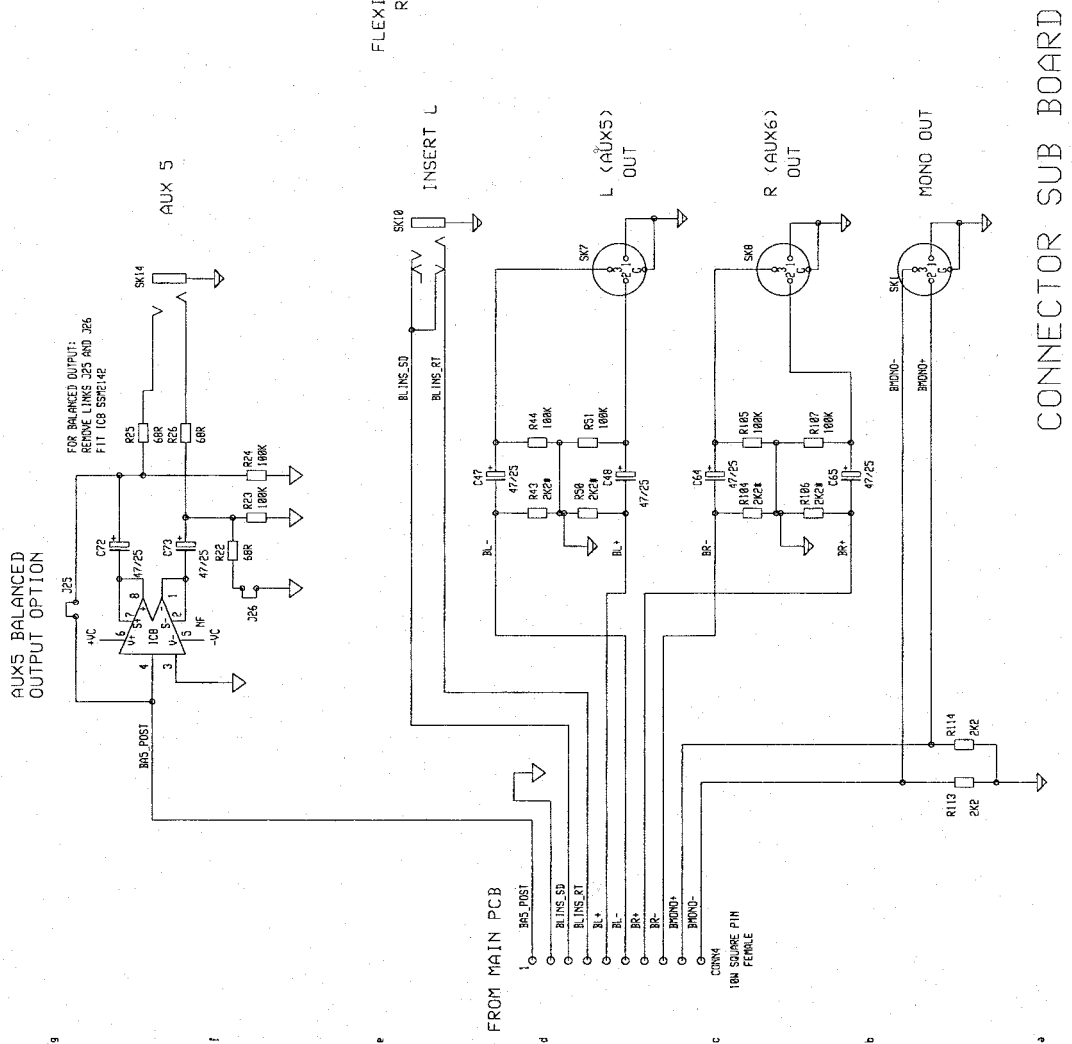
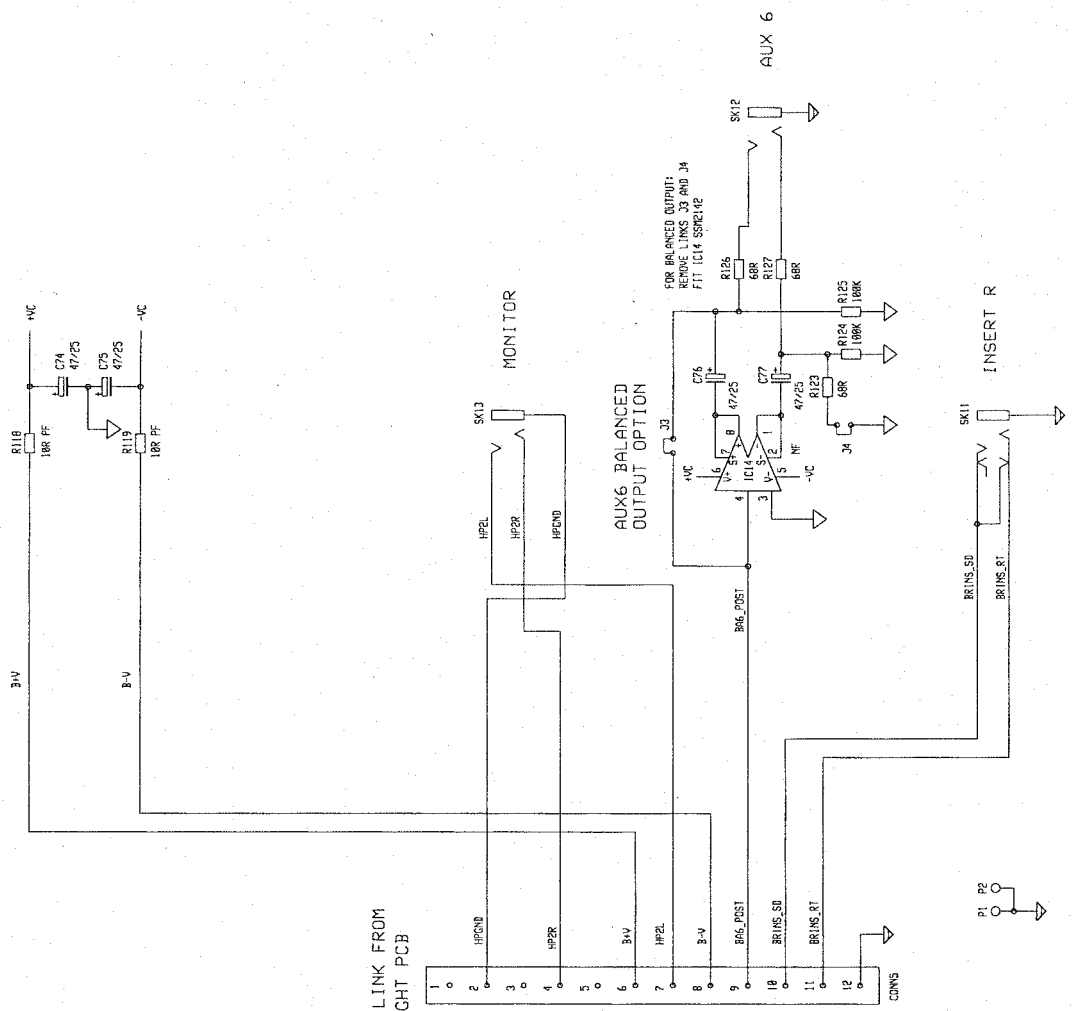
2 TRK SEND LEVEL



MONOOUT PFL/AFL LEVEL



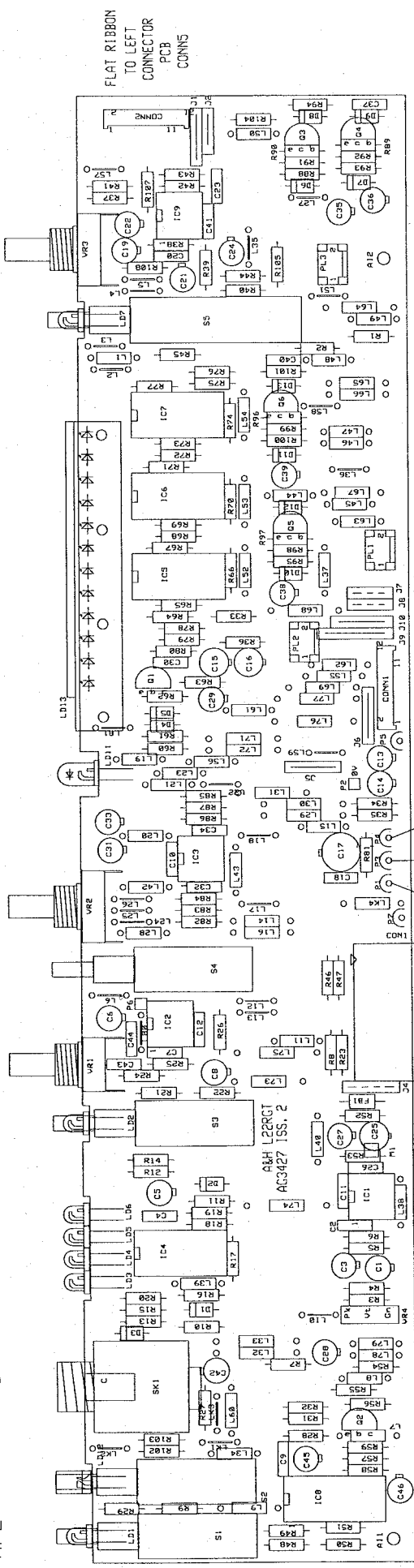
ISS.	A	ORIGIN PRODUCTION	DRP 27-7-98 DRP 9-10-98	UNIT TITLE L22	SHEET 2 OF 3	ALLEN & HEATH KERRICK INDUSTRIAL ESTATE PENRYN CORNWALL TR18 9LU ENGLAND	TEL: (44) (0) 1286 372078 FAX: (44) (0) 1286 377897
	1	CONN GND MOD	AAT 26-01-99				
	2						
				NOTES			
				1. RESISTORS MARKED * ARE 1% ALL OTHERS ARE 5% UNLESS OTHERWISE MARKED			
				2. ELECTROLYTIC CAPACITORS ARE µF/AE/LS			
				DRAWING TITLE CIRCUIT DIAGRAM LEFT PCB			
				ISSUE	2		
				BRANDING NO.	C3426		
							ALLEN & HEATH INTERNATIONAL INDUSTRIES LIMITED



CONNECTOR SUB BOARD

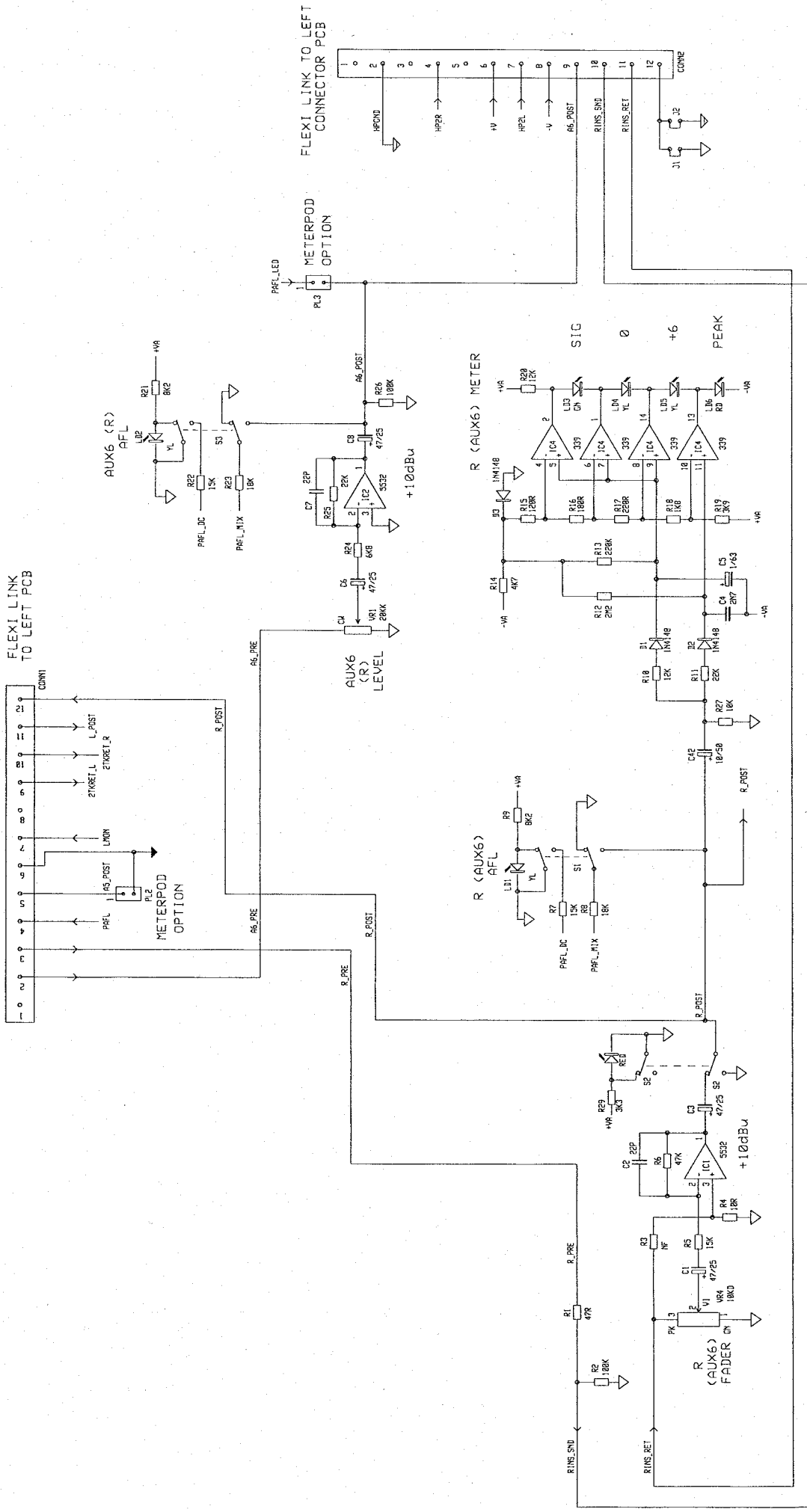
ISS.	A	REVISION	BY DATE	NOTES	UNIT TITLE	L22	SHEET 3 OF 3	ALLEN & HEATH PERVEX INDUSTRIAL ESTABLISHMENT CORNWALL ENGLAND TR18 9LU ALLEN & HEATH, A DIVISION OF HARROCK INTERNATIONAL, INDUSTRIES LIMITED. DRAWING NO. C3426
1	ORIGIN	DRP 27-7-98		1. RESISTORS MARKED * ARE 1% ALL OTHERS ARE 5% 1/4W UNLESS OTHERWISE MARKED	CIRCUIT DIAGRAM			TEL. (44) (0) 1326 378278 FAX. (44) (0) 1326 378978
2	PRODUCTION	DRP 9-10-98		2. ELECTROLYTIC CAPACITORS ARE µF/VOLTS	LEFT PCB			ISSUE 2
	CONN GND MOD	AAT 26-01-99						

R AFL HPHONE S 0 6 P R METER AUX6 LR/ HP 2 TRK TO LR LEVEL
 R/PAFL METER PAFL

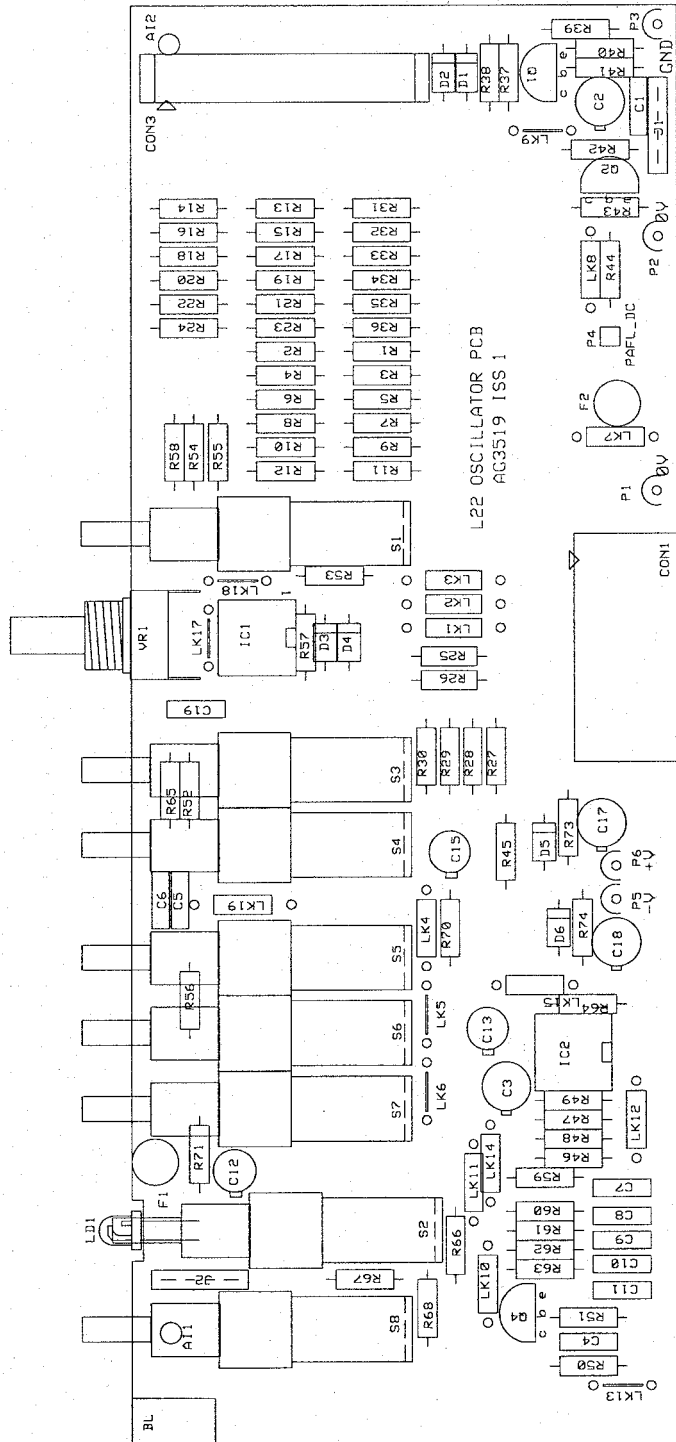


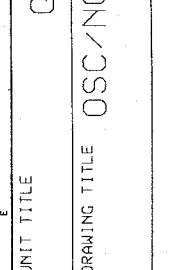
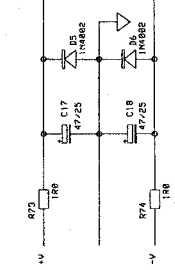
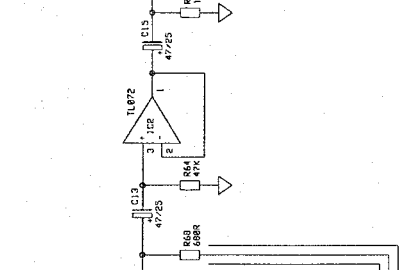
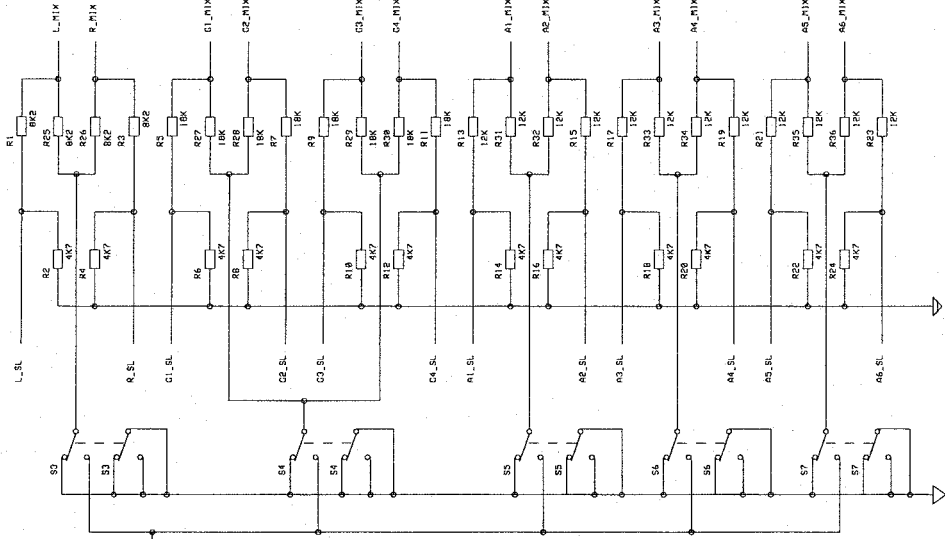
MAIN IDC RA BL YEL
 FLAT RIBBON TO LEFT PCB CONNS

FLAT RIBBON TO LEFT CONNECTOR PCB CONNS



ISS.	REVISION	BY	DATE	NOTES	UNIT TITLE	SHT 1 OF 2	DRAWING TITLE	PCB TYPE	AC3427
	1	PRODUCTION	AAI	12-08-98					
2	UPDATES	ARB	13-1-99	2. ELECTROLYTIC CAPACITORS ARE µF/VOLTS					
MANUFACTURED IN ENGLAND BY					ALLEN & HEATH				
A DIVISION OF HARMON INTERNATIONAL INDUSTRIES LTD					DRAWING No. C3427				
ISSUE 2					AR				





ISS.	REVISION	BY	DATE	NOTES
1	ORIGIN	AAT	18-08-98	1. RESISTORS MARKED * ARE 1% ALL OTHERS ARE 5% 1/4W UNLESS OTHERWISE MARKED
2	PRODUCTION	AAT	17-09-98	2. ELECTROLYTIC CAPACITORS ARE 4F/40V
	1	SYS-LINK MOD. (R45)	DWD 26-02-99	

UNIT TITLE
GL2200

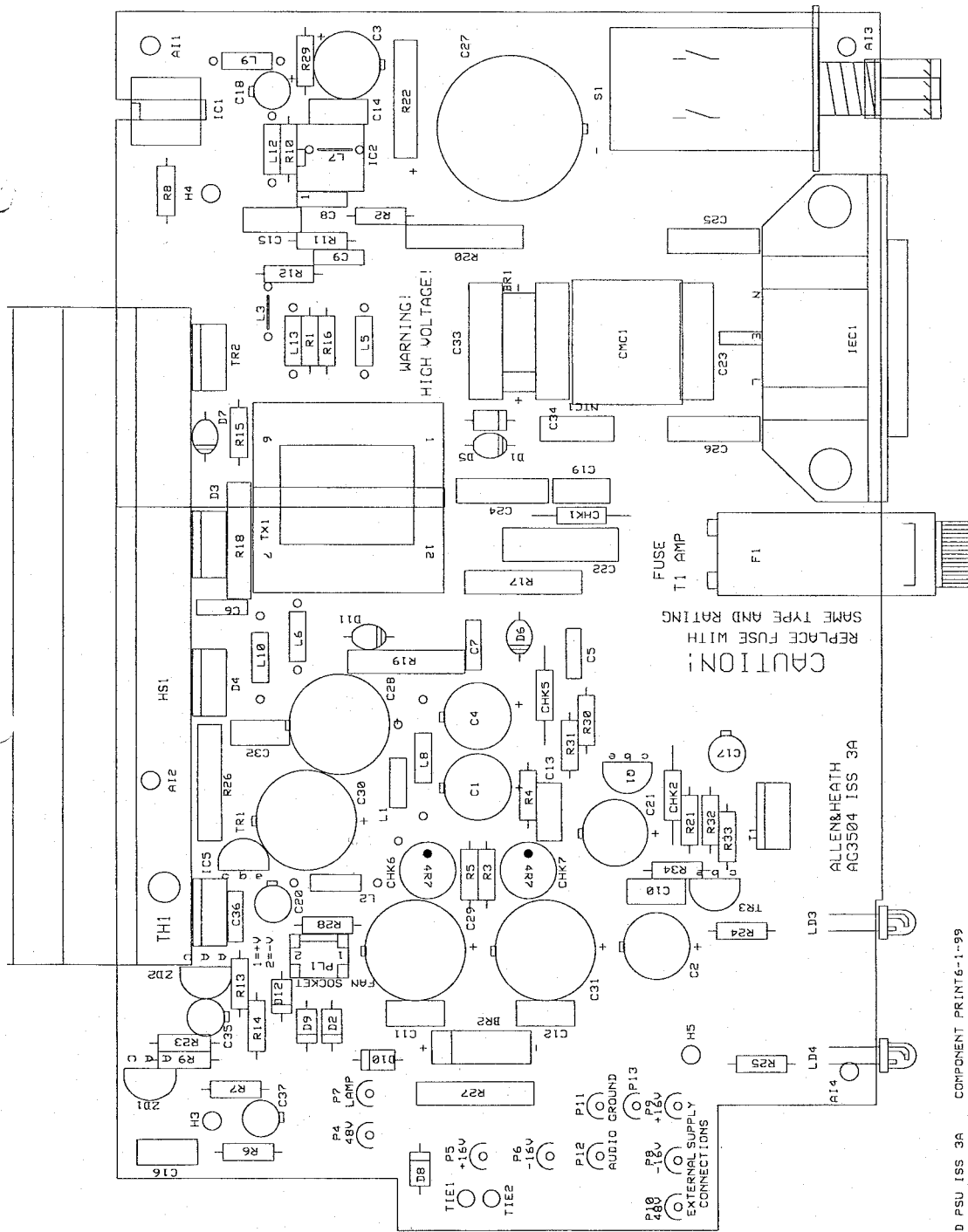
DRAWING TITLE
OSC/NOISE/SYS IN
PCB

PCB TYPE
AG3519

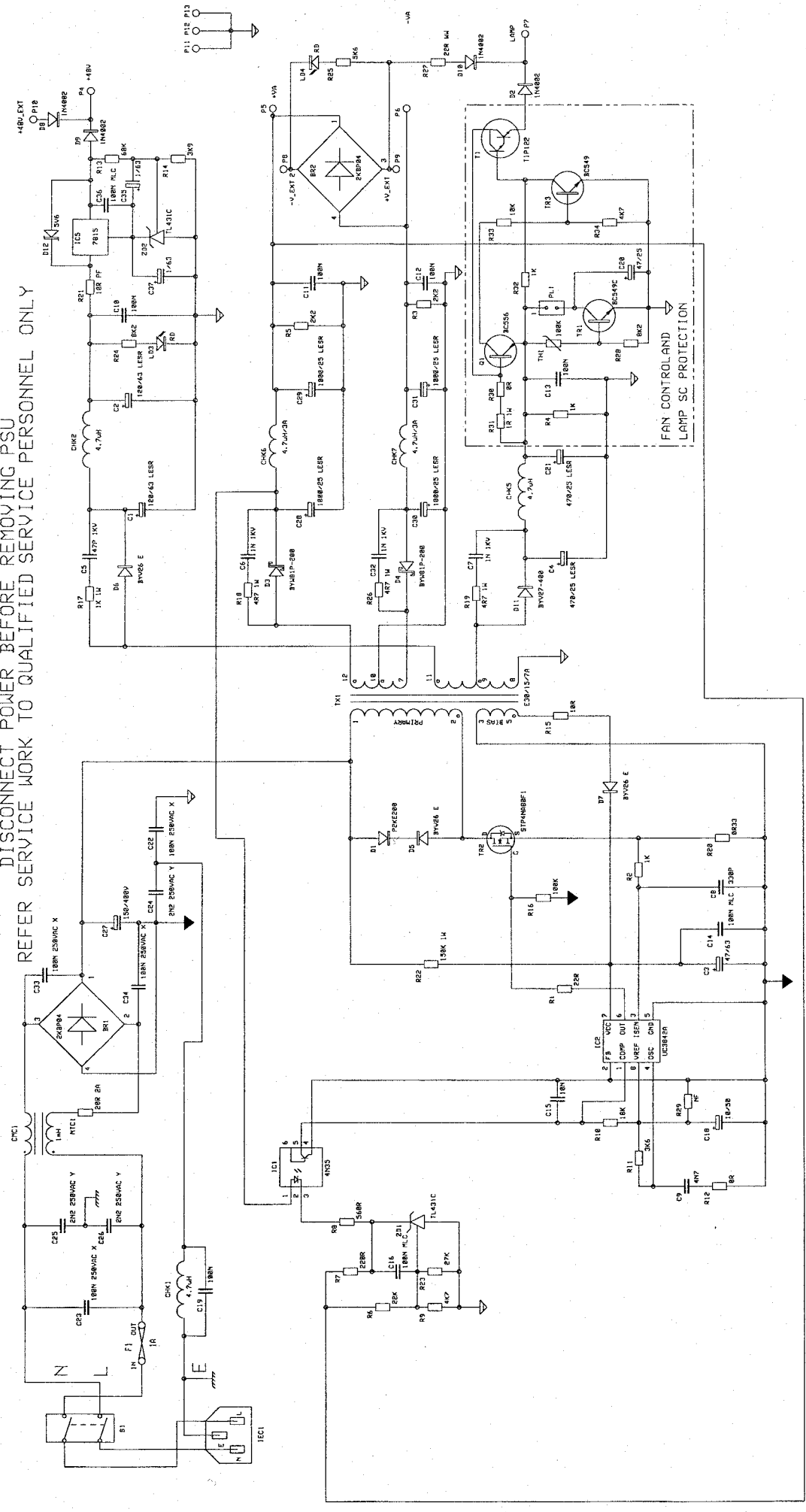
ALLEN & HEATH
SERVICK INDUSTRIAL ESTATE
BERRYVALE
CORNWALL
ENGLAND TR10 9U
ALLEN & HEATH A DIVISION OF HARMON INTERNATIONAL INDUSTRIES LIMITED.

TEL. (44) (0) 1326 379079
FAX. (44) (0) 1326 379077

DRAWING No. C3519
ISSUE 2



DANGER - HIGH VOLTAGE
DISCONNECT POWER BEFORE REMOVING PSU
REFER SERVICE WORK TO QUALIFIED SERVICE PERSONNEL ONLY



ISS.	REVISION	BY	DATE	NOTES
A	PROTOTYPE	ARJ	7-08-98	1. RESISTORS MARKED * ARE 1% ALL OTHERS ARE 5% UNLESS OTHERWISE MARKED
B	REVISED	ARJ	23-9-98	2. ELECTROLYTIC CAPACITORS ARE JF7401'S
1	PRODUCTION	ARJ	12-10-98	
2	UPDATES	ARJ	28-10-98	
3	LAMP PROTECTION	ARJ	25-1-99	

UNIT TITLE	60W PSU
DRAWING TITLE	GL2200
PCB AC3504	FRANCO NO. C3504
ISSUE	3

MANUFACTURED IN ENGLAND BY

ALLEN & HEATH