

# MusicParts.Com

## Technical Document Distribution

---

<b>Brand:</b>	<b>Maestro</b>
<b>Model</b>	<b>RO-1</b>
<b>Product:</b>	<b>Rover Rotary Speaker</b>
<b>Description:</b>	<b>Schematic</b>

Musicparts Document Number: 53489	TechTips: No	Pages: 3	Dated: None
-----------------------------------	--------------	----------	-------------

Hello,

Welcome to MusicParts.Com, Inc. your online resource for technical documents and service information. This PDF package may contain information, schematics, parts lists, images, engineering changes, previous versions, circuit descriptions, and many other unique features about the product you have chosen. This document was assembled from a variety of sources and is the result of our many years in the music repair business.

NOTE: Large original over-sized drawings will need to be taped together. We feel this is better than reducing them and losing the fine details.

VIEWING: This document is utilizing PAGE-ON-DEMAND downloading. This will let you navigate to any page without waiting for the entire file to download. Just click ON the thumbnails.

### **PRINTING: Very Important!**

When the print dialog appears, please make sure "**REDUCE TO PAPER SIZE**" OR "**SHRINK OVERSIZED PAGES**" is checked, otherwise you may cut off the edge of the page. This will compensate for your printer's margins and produce a great looking printout. Also please stay online while printing this document to make sure you get all the pages.

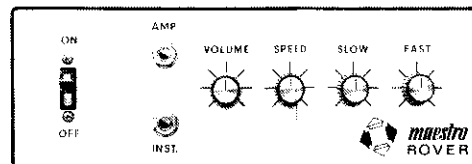
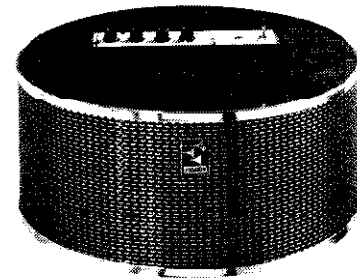
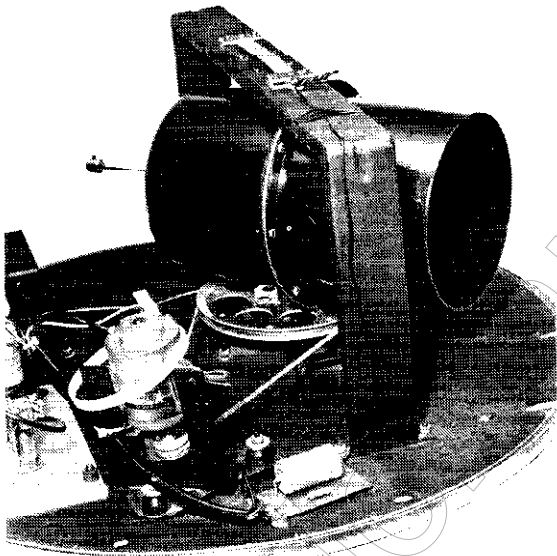
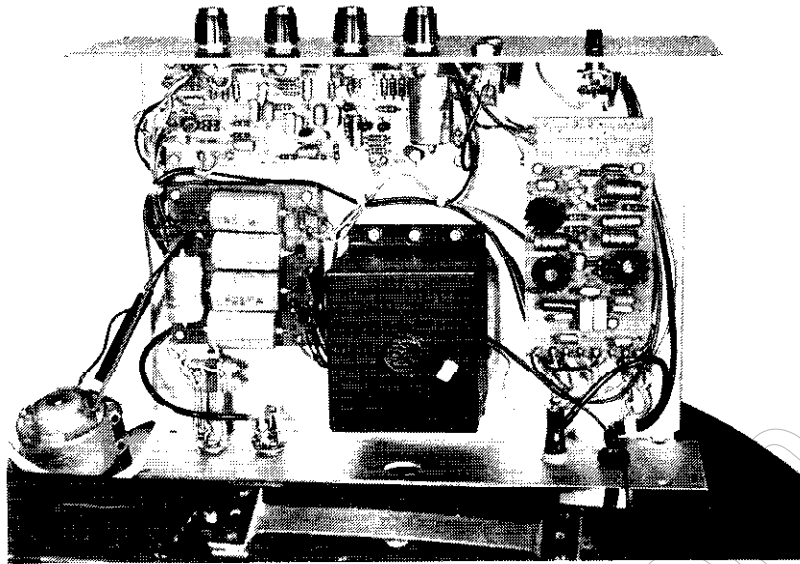
Visit us on the web at: <http://www.musicparts.com/>  
Email us at: [customerservice@musicparts.com](mailto:customerservice@musicparts.com)

# TECHNICAL SERVICE MANUAL for

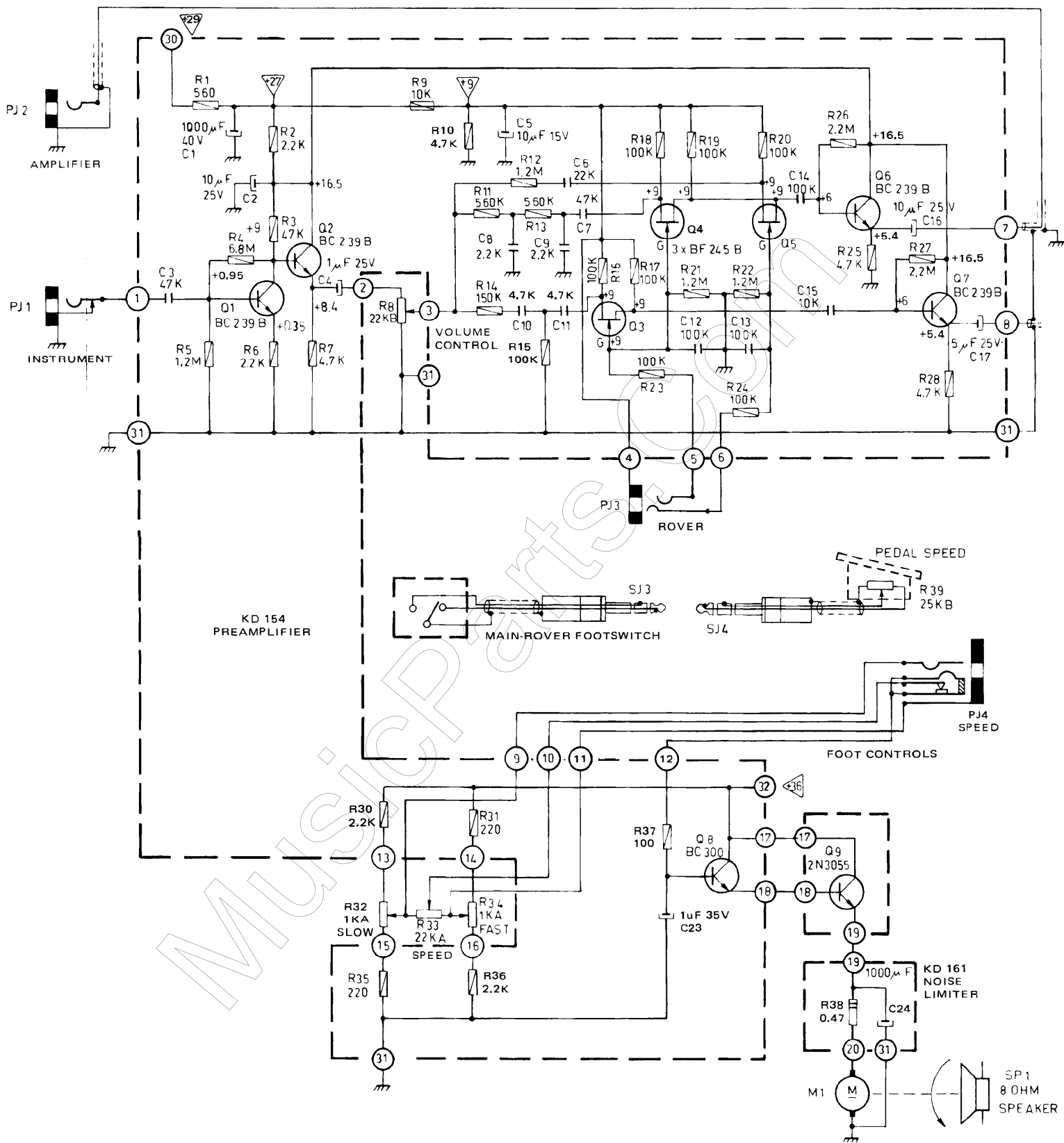
# MAESTRO®

# RO-1 ROVER

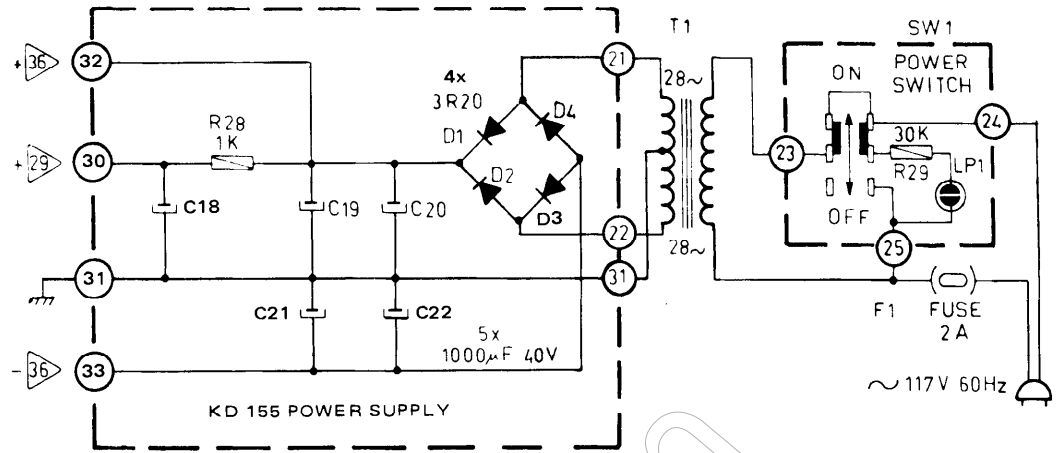




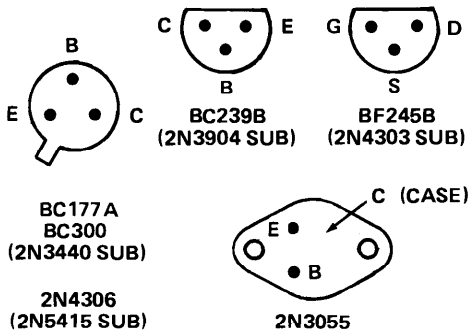
ROVER ROTARY SPEAKER MODEL RO-1



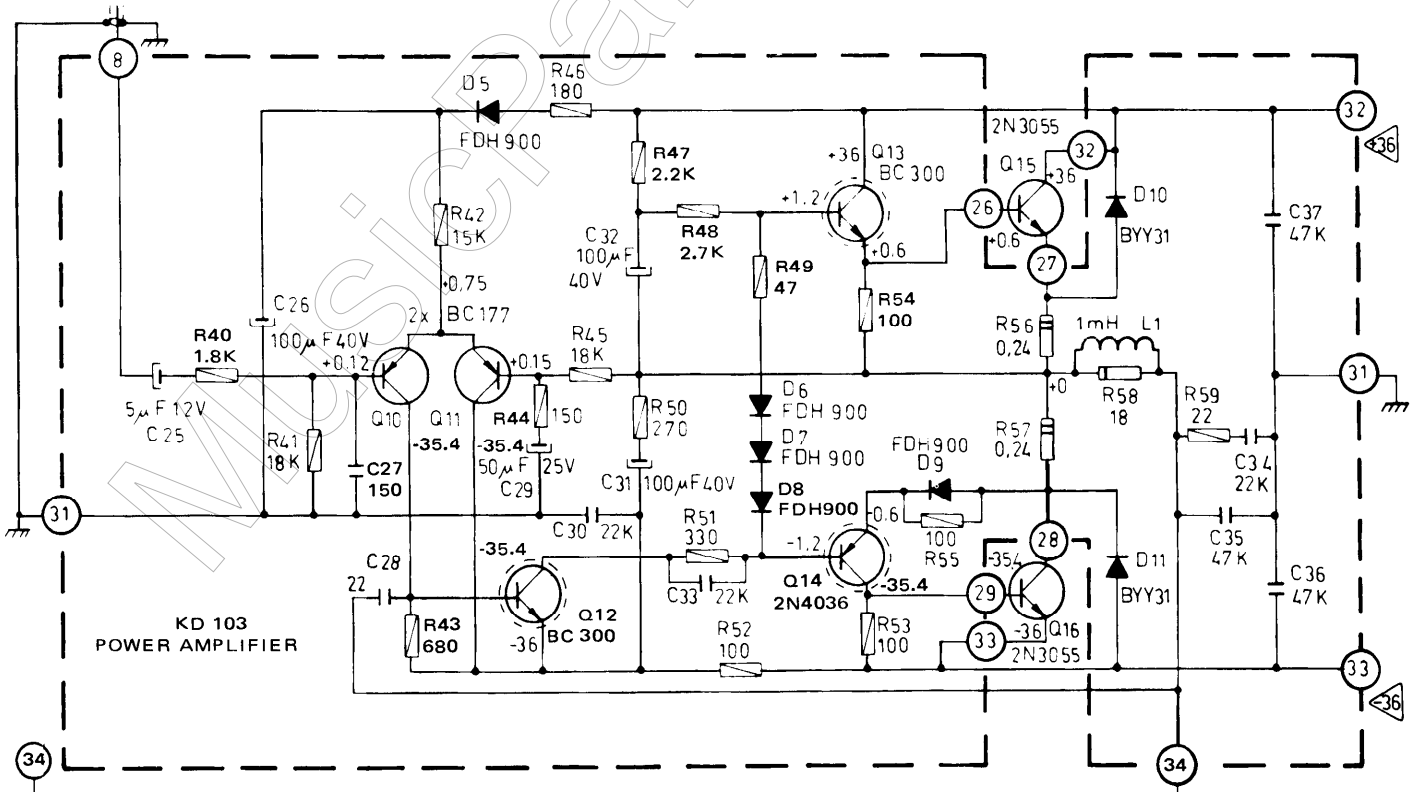
ROVER ROTARY SPEAKER MODEL RO-1



**BASING DIAGRAMS      BOTTOM VIEWS**



REF DESIG	PART NO.	DESCRIPTION
D1 thru D4	919-043378-001	Diode, 3R20, 1N5400 Substitute
D5 thru D9	919-041075-001	Diode, FDH900, 1N4148 Substitute
D10, D11	919-042019-001	Diode, BYY31, 1N4004 Substitute
Q1, Q2, Q6, Q7	991-041051-001	Transistor, BC239B, 2N3904 Substitute
Q3, Q4, Q5	991-041064-001	Transistor, BF245B, 2N4303 Substitute
Q8, Q12, Q13	991-042453-001	Transistor, BC300, 2N3440 Substitute
Q9, Q15, Q16	992-043083-001	Transistor, 2N3055
Q10, Q11	991-043309-001	Transistor, BC177
Q14	991-041378-001	Transistor, 2N5415 Substitute



**NOTES:**  
 1. UNLESS OTHERWISE SPECIFIED:  
 ALL RESISTORS IN OHMS, ± 10%, 1/2W.  
 ALL CAPACITORS IN MFD.

2. ALL VOLTAGES MEASURED WITH  
 RESPECT TO CHASSIS GROUND USING  
 A 10 MEGOHM VOLTMETER WITH NO  
 SIGNAL APPLIED.