

LESLIE 9271 CONSOLE CONNECTOR KIT INSTALLATION INSTRUCTIONS

For Use With: HAMMOND Models: M1, M2, M3, M100, L100

234/250V LESLIE Models: 120, 125,145, 147,147 RV, 247, 247RV

MULTIPLE SPEAKER INSTALLATION: For complete information, see the service manual of the Leslie Speaker to be added.

CONTENTS OF KIT:

1 Console Connector	037655	1 Tremolo Control
1 Console Adapter'	027011	012625 brown
1 6-Conductor Cable	017277	012633 ebony
1 Instructions	037713	012641 ivory
5 Insulated Staples	028464	
1 Oiler	053025	1 Echo Control
2 Screws, 8 X 1/2	029132	029397 brown
4 Screws, 6 X 1/2, Blk. Oxide	029124	029405 ebony
		029413 ivory

TO INSTALL THE KIT:

1. Mount the Echo and Tremolo control switches to the wooden rail in front of the lower manual using the black oxide screws provided.
2. Route the control cables under the lower manual, through the keyboard shelf, and into the amplifier section of the console. If no opening is provided, drill a 7/8" hole in the keyboard shelf just under the lower manual.
3. Mount the console connector chassis inside the console within reach of the adapter and control cables, using the wood screws provided.
4. Plug the Echo and Tremolo control cables into the proper sockets on the connector chassis.
5. Fit the 5-pin adapter socket onto the plug marked "Console" on the connector chassis.
6. Plug the Leslie speaker cable into the socket marked "Leslie" on the connector chassis.
7. Follow the load setting instructions for the "8 OHM" position as outlined in the Leslie service manual.
8. M1, M2:
 - a) Disconnect and discard the 5-contact plug and socket assembly from the adapter at the screw terminals.

- b) Remove the green speaker wire from the console amplifier output terminal and connect it to the screw terminal on the green adapter wire. Cover this connection with a plastic sleeve.
- c) Connect the red adapter wire to the output terminal from which you have just removed the green speaker wire.
- d) Connect the black adapter wire to the amplifier output terminal to which the black speaker wire is connected. Do not remove the wire already attached to this terminal.
- e) Connect the gray and blue adapter wires to the two AC terminals on the console amplifier controlled by the console power switch.
- f) Adjust the volume as outlined in the Leslie service manual. The installation is now complete.

M3:

- a) Remove the 5-pin console speaker plug from the amplifier and plug it into the 5-contact adapter socket.
- b) Insert the 5-pin adapter plug into the socket from which you have just removed the speaker plug.
- c) Solder the gray and blue adapter wires to the two AC terminals on the console amplifier controlled by the console power switch.
- d) Adjust the volume as outlined in the Leslie service manual. The installation is now complete.

L-100, M-100:

- a) Cut the wires attaching the 5-pin plug and socket assembly to the adapter at a point just behind the screw terminals and strip the wires 1/4 inch.
- b) Solder the tab connectors provided to the stripped wires as follows:
Red -Male Black- Female Green- Female
- c) Remove the green amplifier output wire from the speaker terminal and connect it to the red wire from the console adapter. Cover this connection with a plastic sleeve. NOTE: On late model M-100 consoles, both a red and a green wire are connected to the speaker at this point. Remove both wires and clip off the connector tabs. Do not place a connector tab on the console adapter red wire, but strip all three wires about 1/2 inch. Connect them together with the wire nut provided.

- d) Connect the green adapter wire to the speaker terminal from which you have just removed the green wire.
- e) Connect the black adapter wire to the extra tab on the second console speaker. Do not disturb the black wire already attached.
- f) Solder the gray and blue adapter wires to the two AC terminals on the console amplifier controlled by the console power switch.
- g) Adjust the volume as outlined in the Leslie service manual. The installation is now complete.

PARTS LIST

037655 Console Connector

T1	026047
C1	032359
Fuseholder	055178
Fuse	037671
Chassis Cover	026054
Chassis	011809
S3	029652
P2	025437
S4	060459
S5	029298

027011 Console Adapter

P1	021238
S1	033670
S6 cap	029231
S2	029264
S2 cap	013136

Echo Control Tremolo Control

Echo Switch Case

brown	029199
ebony	029207
ivory	029215

Switch Case Cover

brown	048702
ebony	048710
ivory	048728

Switch Knob

brown	048066
ebony	048074

Switch Retainer (2)

048116

Switch Only

010249

5-Pin Plug (P3)

021238

Tremolo Switch Case

brown	012260
ebony	012278
ivory	012286

Switch Case Cover

brown	048702
ebony	048710
ivory	048728

Switch Knob

brown	048066
ebony	048074

Switch Retainer (2)

048108

Switch Only

042911

2-Pin Plug (P5)

029165

Ordering Parts: Standard hardware, connectors, and electronic components should be purchased locally. Non-standard items may be obtained through a Leslie speaker dealer, or from Electro Music. Orders should include part numbers shown above.

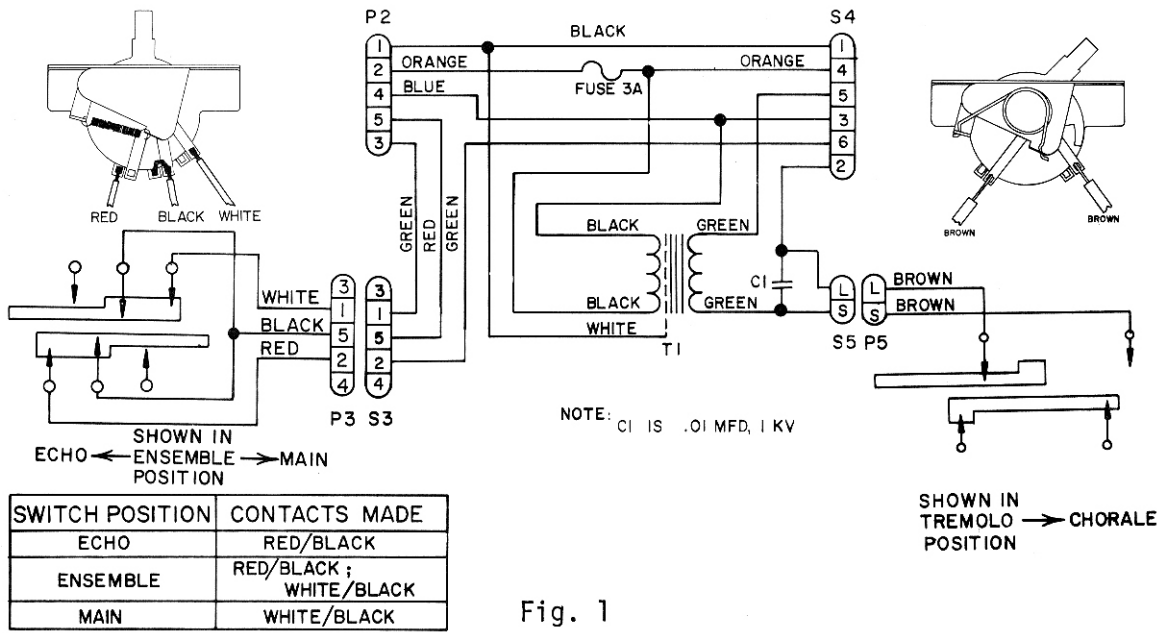


Fig. 1

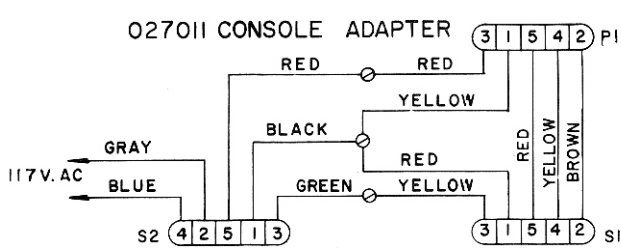


Fig. 2

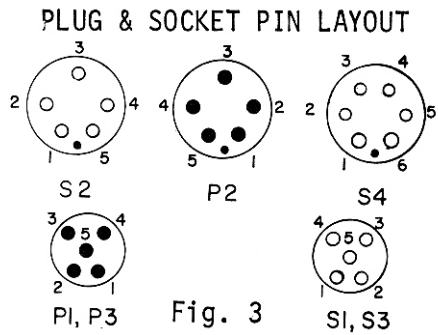


Fig. 3