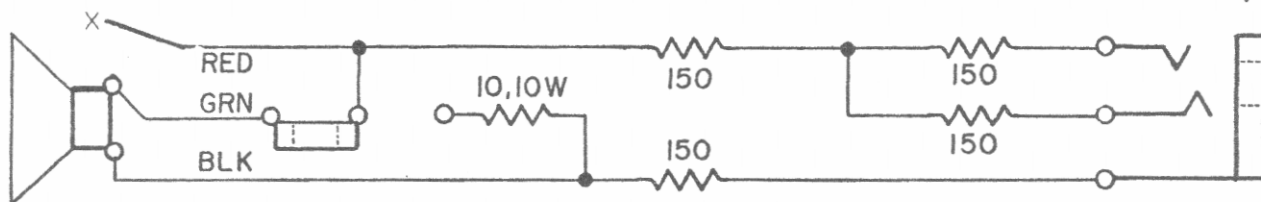
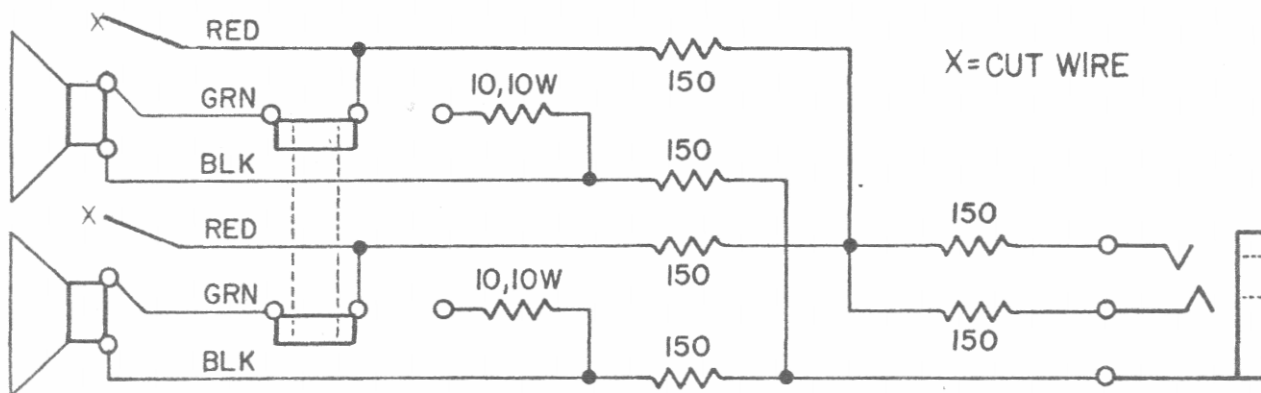


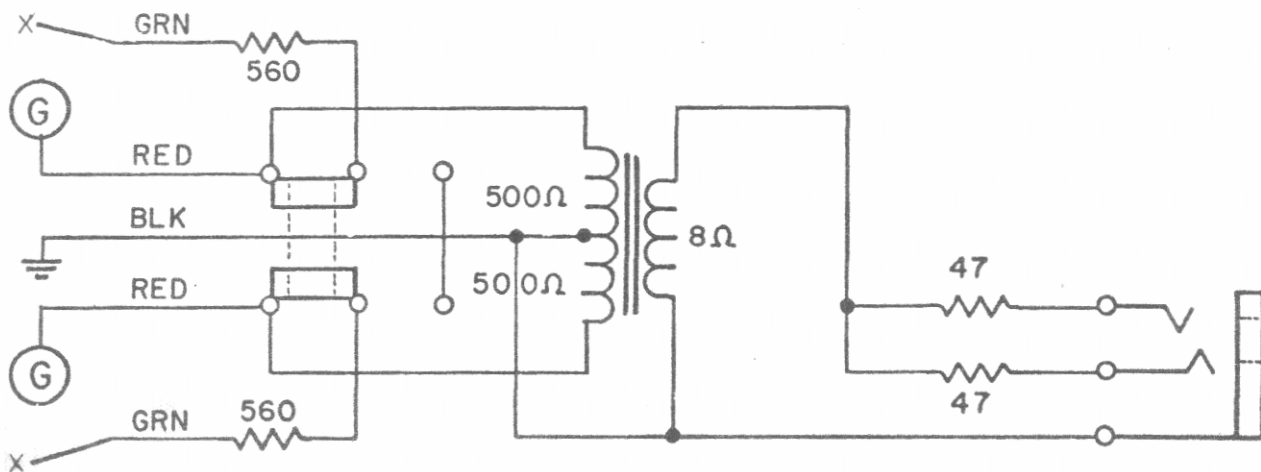
- NOTES: 1. BOX #1: FOR ANY OF ANY ONE OF SWITCHING CIRCUITS, SHOWN BELOW. BOX #2: SEE OTHER SIDE.  
 2. UNLESS OTHERWISE SHOWN, ALL RESISTORS ARE IN OHMS, 1/2 WATT,  $\pm 10\%$ .  
 3. USE ANY MONO OR STEREO HEADPHONE,  $8\ \Omega$  STEREO BEST-CAN BE USED AS OUTPUT FOR TAPE, E.T.C.  
 4. NOT FOR PROLONGED USE AT HIGH VOLUMES. PHONE JACK SUGGESTED SOURCE: SWITCHCRAFT, 112 B.



ORGANS WITH A SINGLE AMPLIFIER

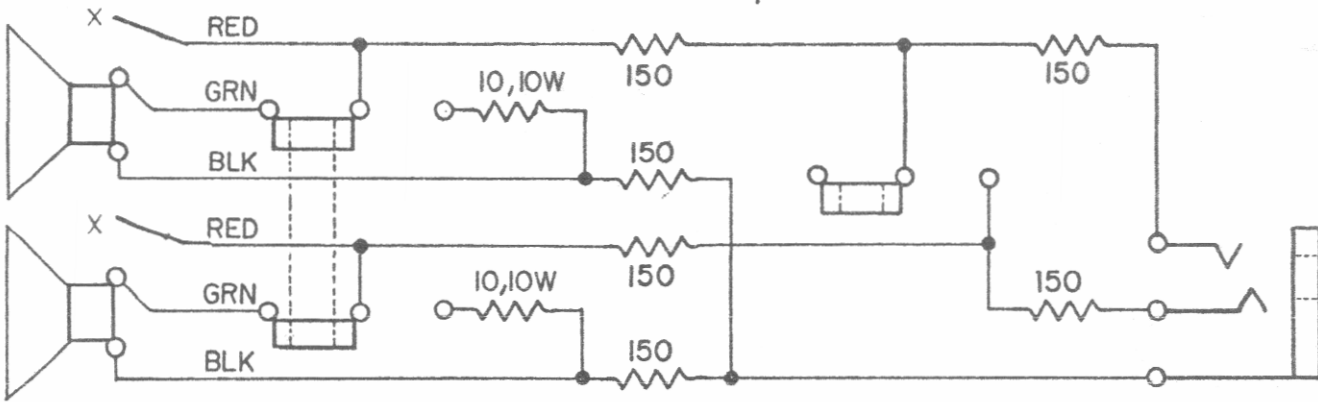


ORGANS WITH AN EXTRA AMPLIFIER FOR REVERB, E.T.C.

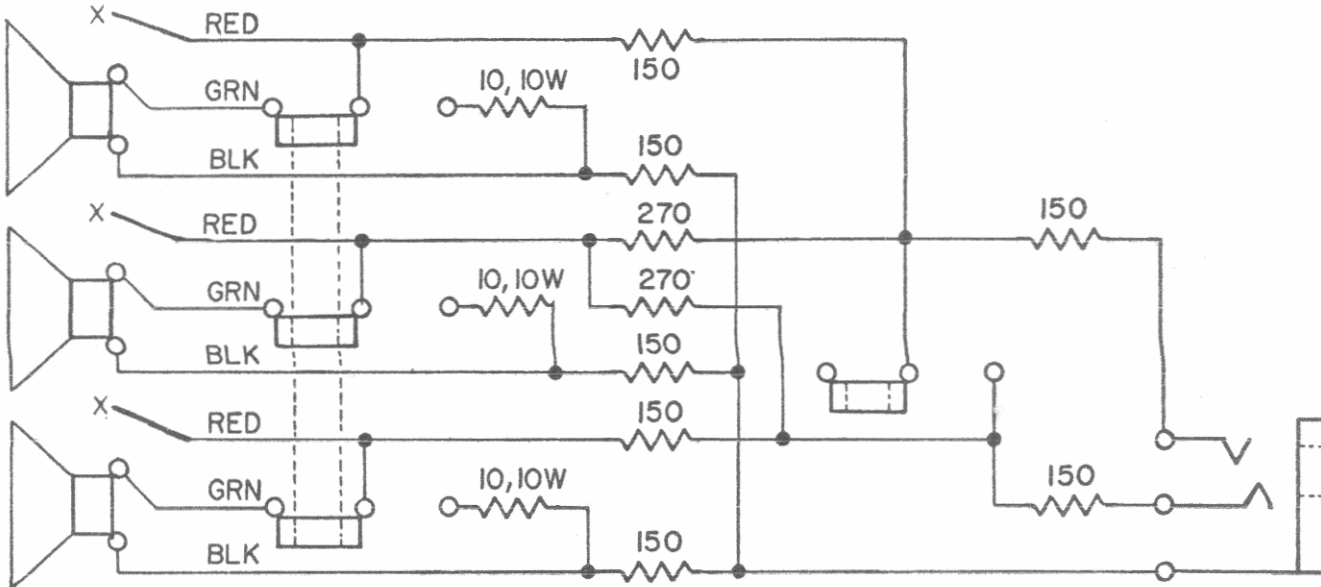


EARLIER HAMMOND ORGAN MODELS WITH PREAMP. ONLY

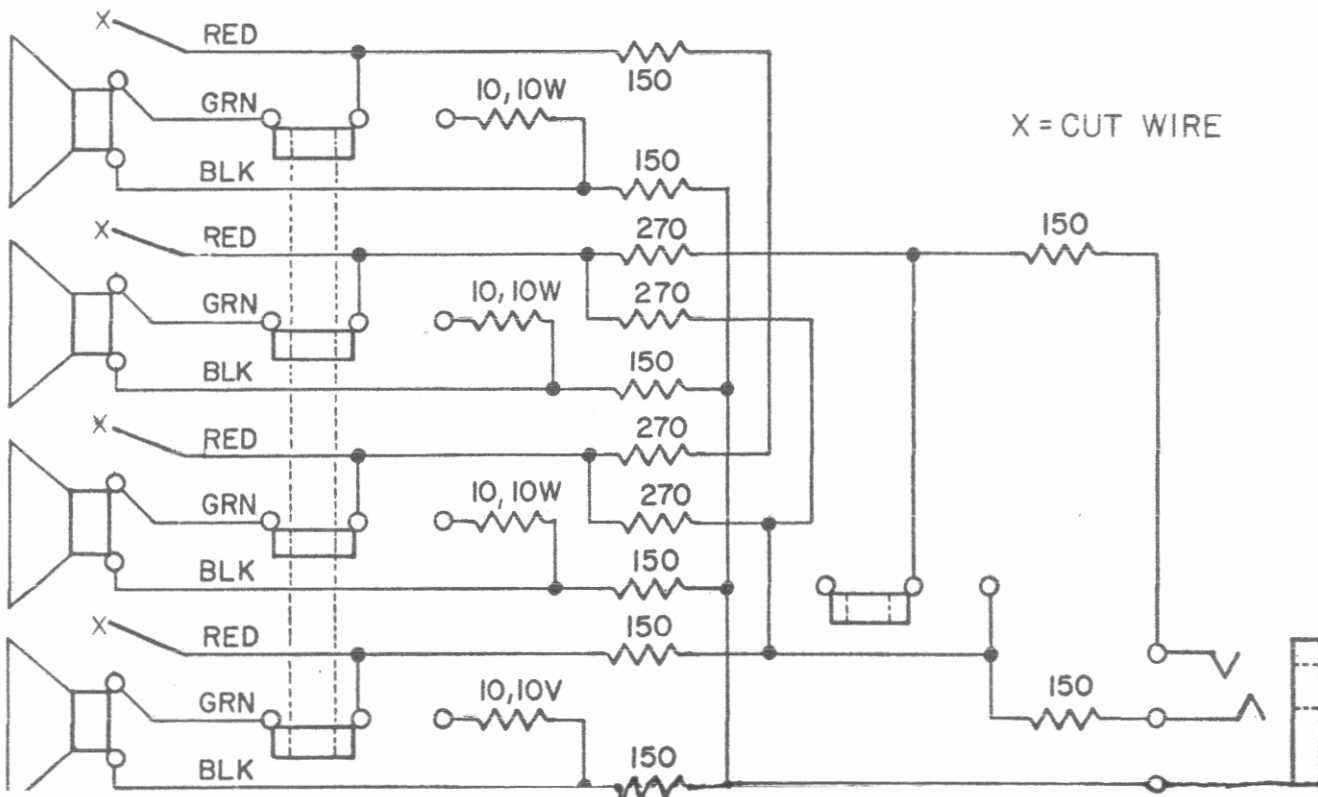
BOX #2 ASY: ANY CIRCUIT, SHOWN BELOW



ORGANS WITH TWO AMPLIFIER SYSTEMS



ORGANS WITH THREE AMPLIFIER SYSTEMS



X = CUT WIRE