

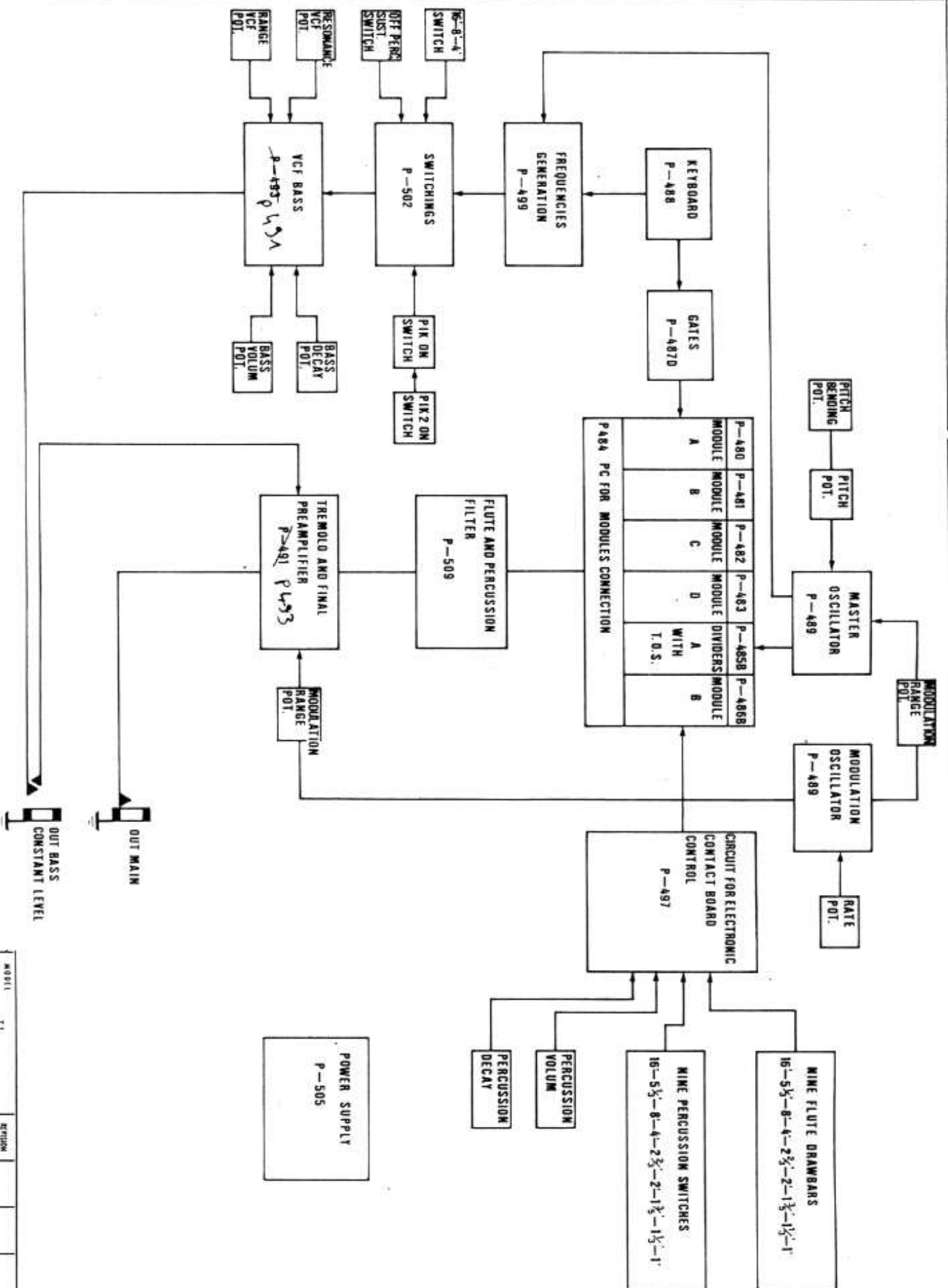
**SCHEMATIC  
DIAGRAM**

**C R U M A R**

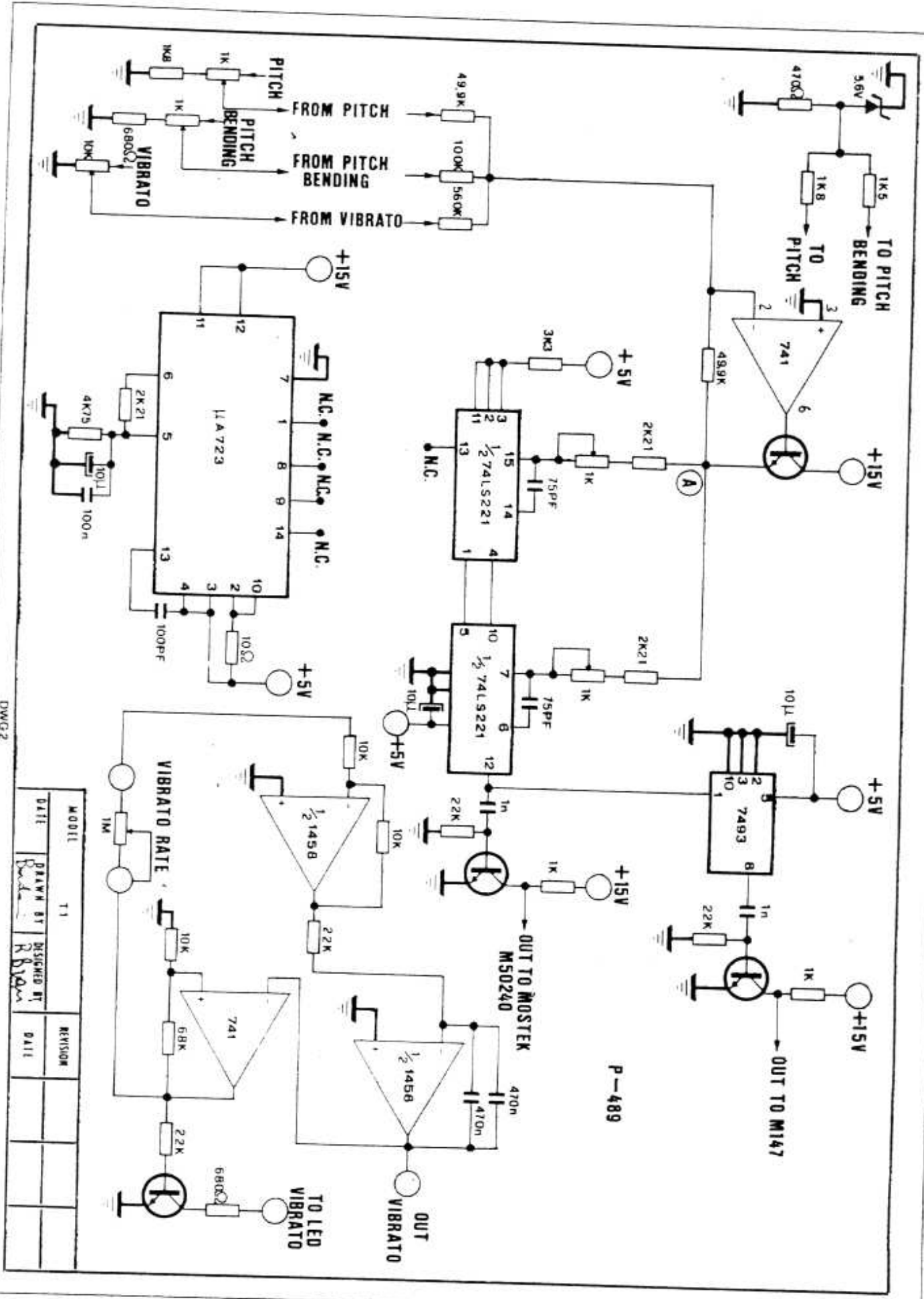
*Newport Instruments*



*mod.*  
**T-1**



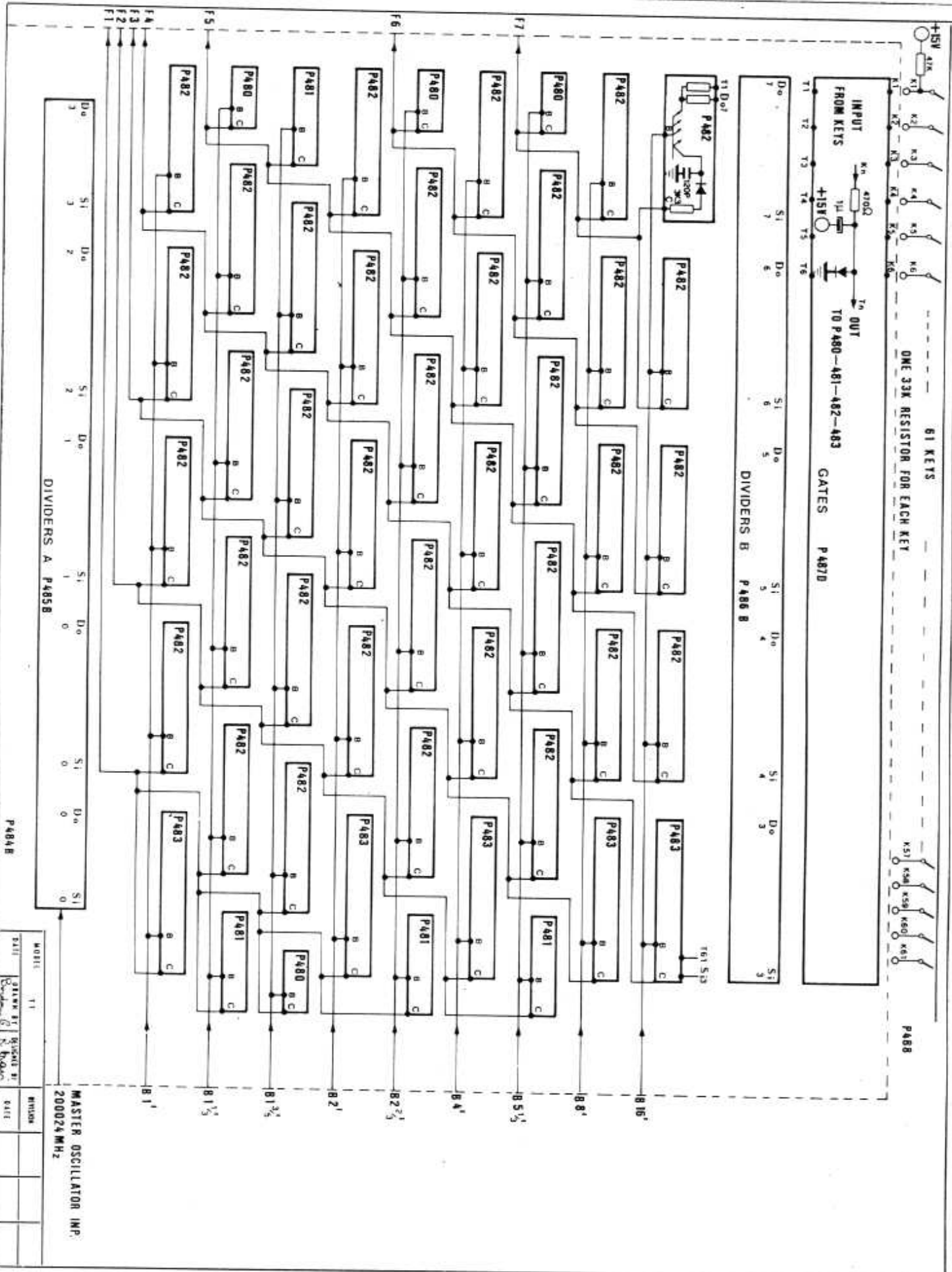
MODEL	T1	REVISION	
TITLE	SYNTHESIZER BLOCK DIAGRAM	DATE	
DESIGNED BY	R. D. DAVENPORT		



P-489

DWG 2

MODEL	REVISION
T1	
DATE	DATE
DRAWN BY	DESIGNED BY
REVIEWED BY	

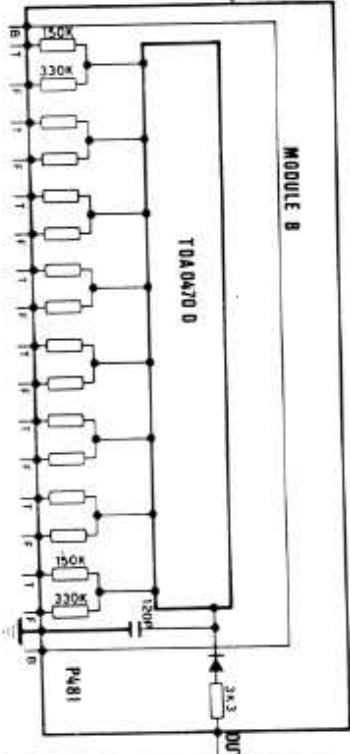
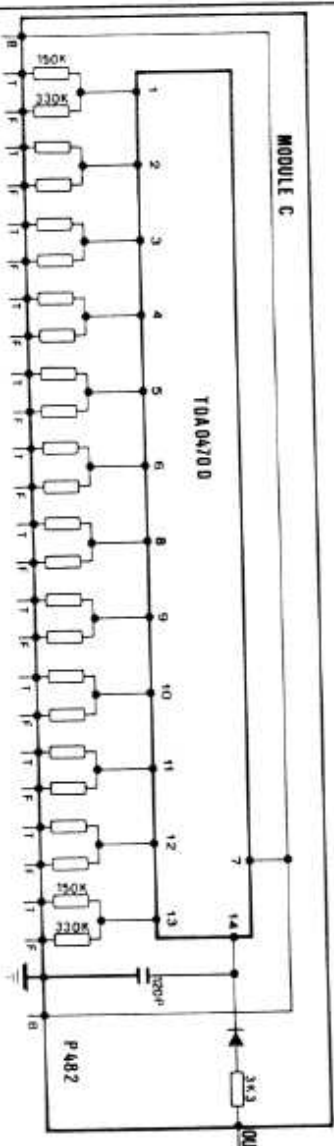
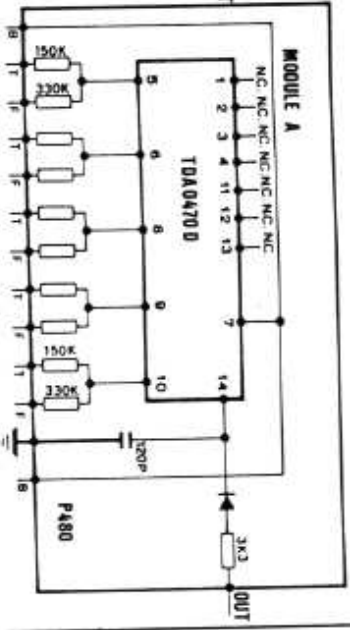
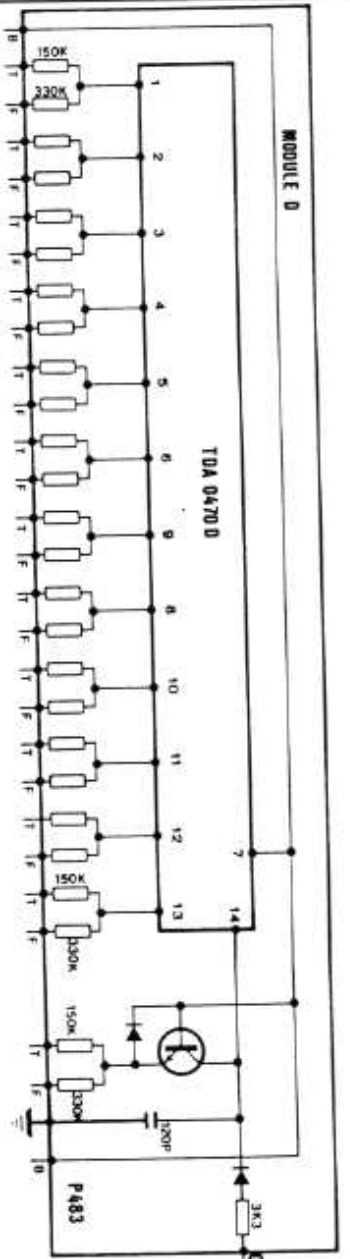


61 KEYS  
 ONE 33K RESISTOR FOR EACH KEY  
 GATES P482  
 DIVIDERS B P486 B

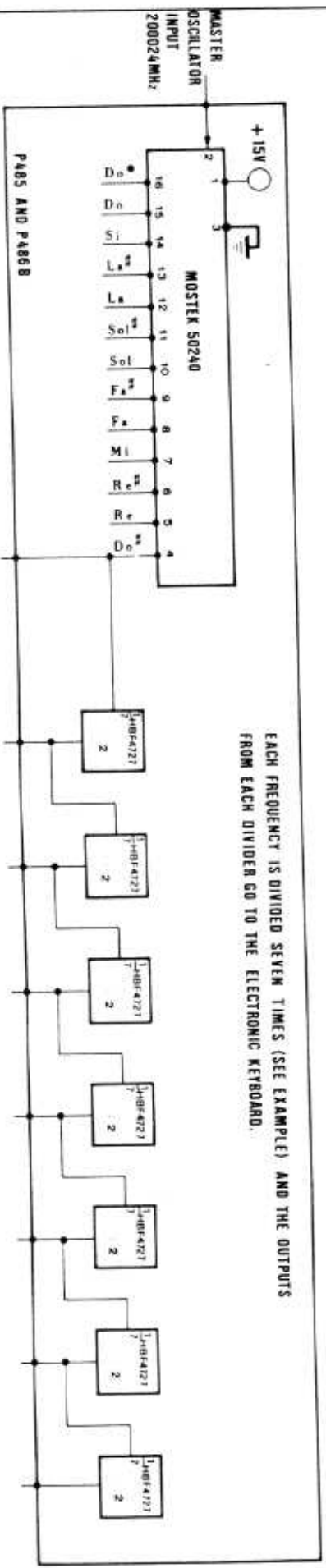
Do	Si	Do	Si	Do	Si	Do	Si	Do	Si
7	1	6	5	4	3	2	1	0	0
DIVIDERS B P486 B									

Do	Si	Do	Si	Do	Si	Do	Si	Do	Si
3	3	2	2	1	1	0	0	0	0
DIVIDERS A P485B									

MODEL	T1
DATE	200024
REVISION	IMP
FILE	200024.MHZ

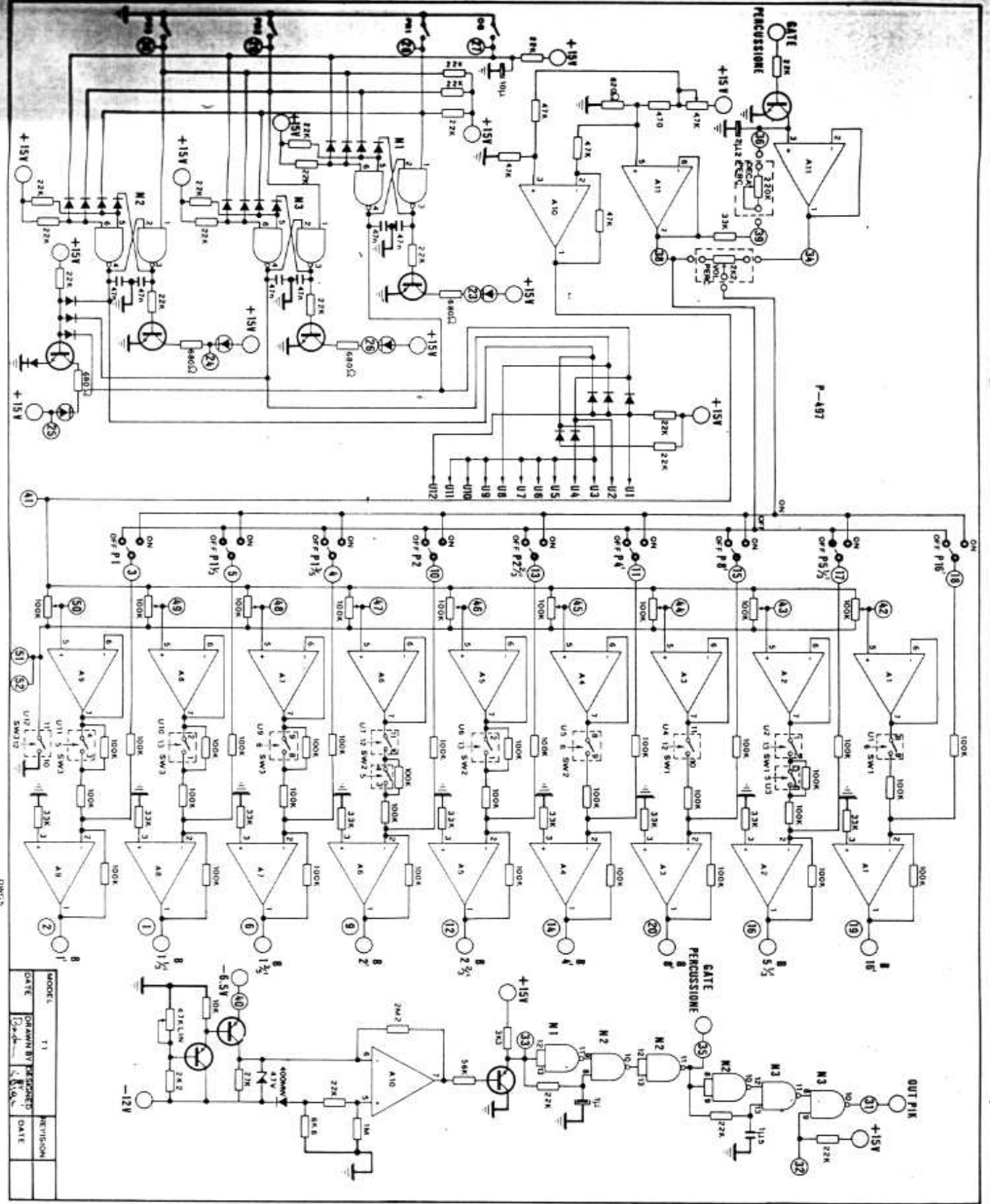


EACH FREQUENCY IS DIVIDED SEVEN TIMES (SEE EXAMPLE) AND THE OUTPUTS FROM EACH DIVIDER GO TO THE ELECTRONIC KEYBOARD.

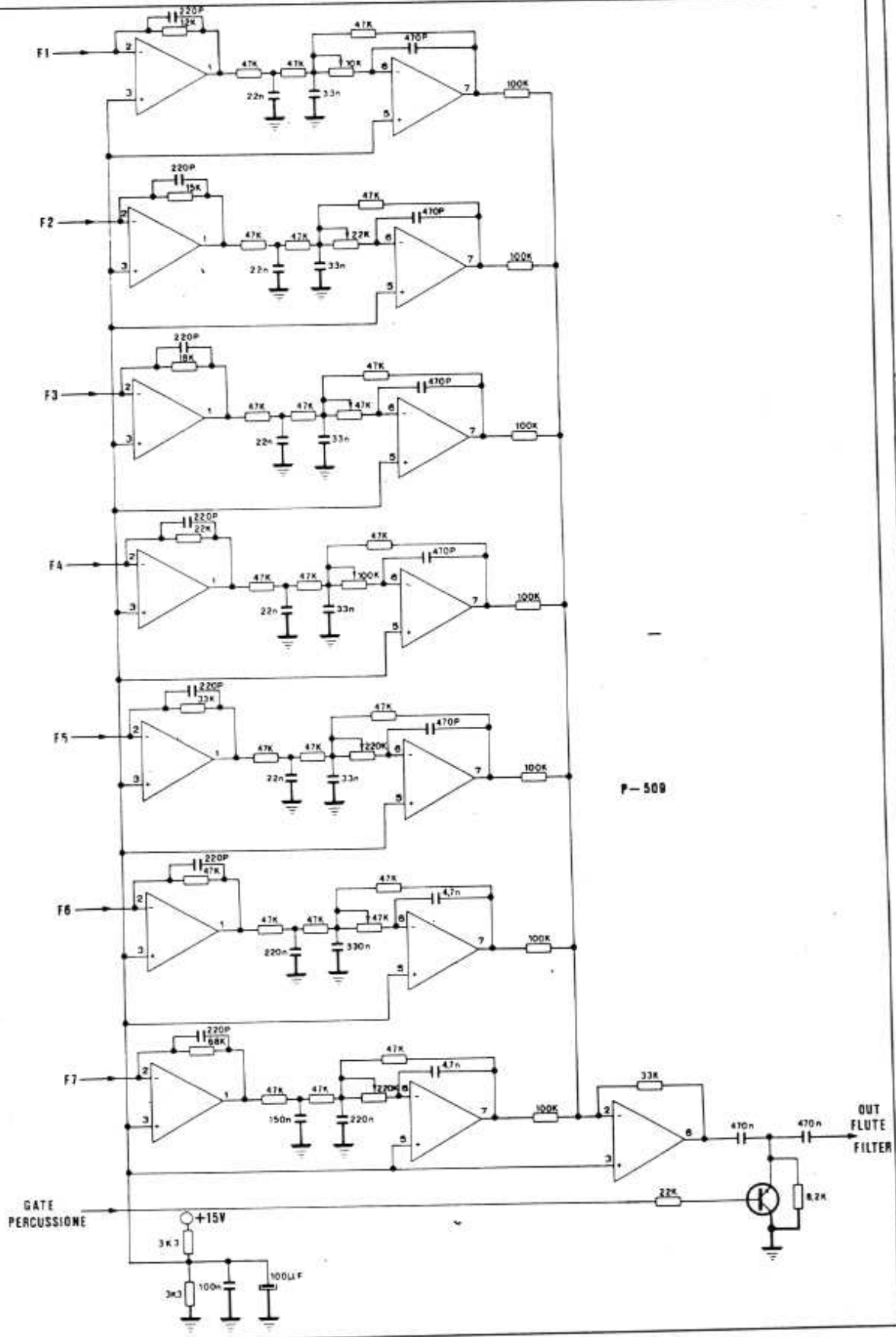


F - FREQUENCY  
T - KEY  
B - BASE

NO.001	7-1	REVISED	REVISED
DATE	DESIGNED BY	DESIGNED BY	REVISED
	CHECKED BY	CHECKED BY	REVISED



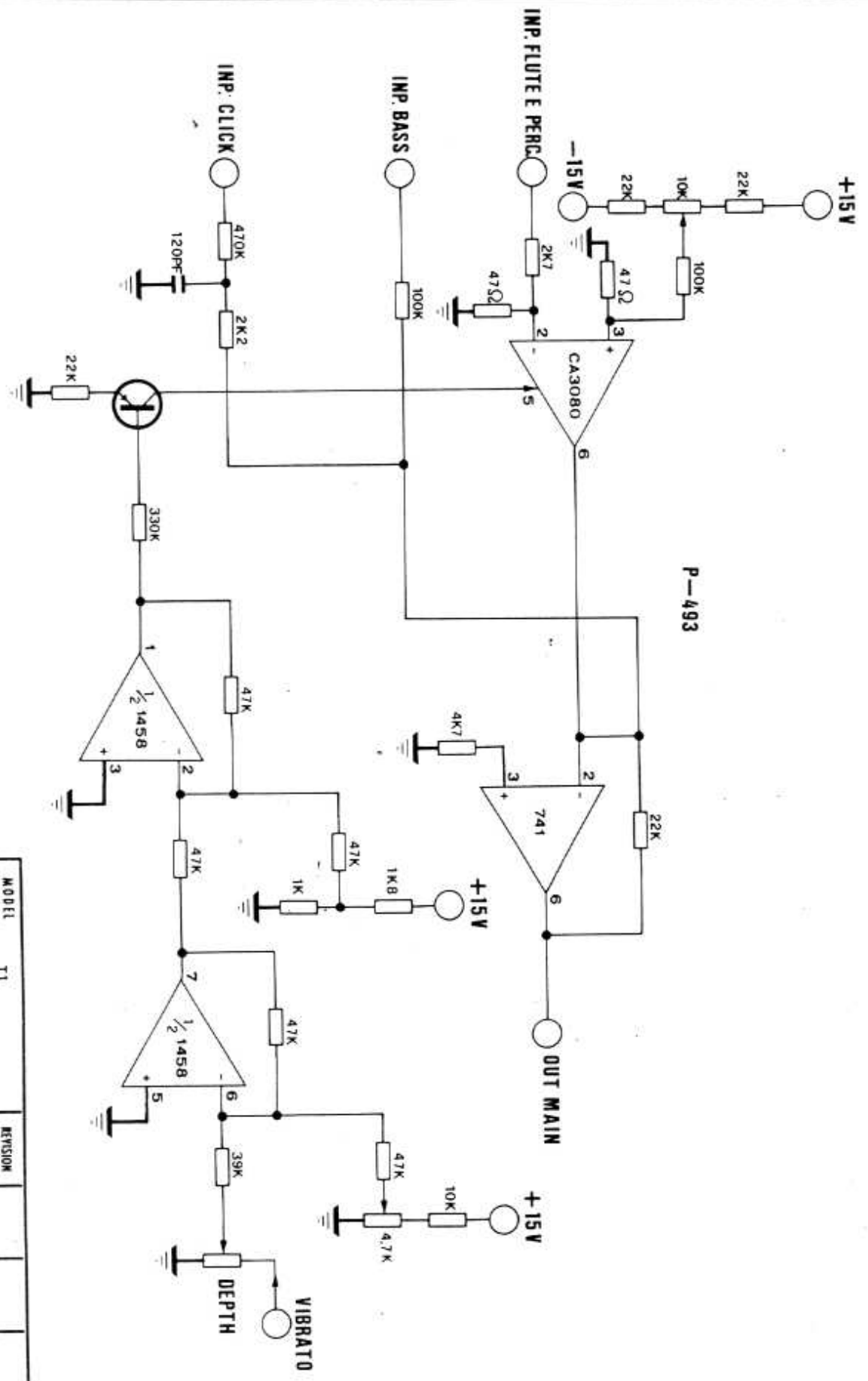
MODEL:	T1	REVISION:	
DATE:	10-2-64	DATE:	



P-509

DMC

MEMO	11
DATA	11
ORDER NO.	11
REVISION	11
DATE	11
BY	11
CHK	11
APP	11



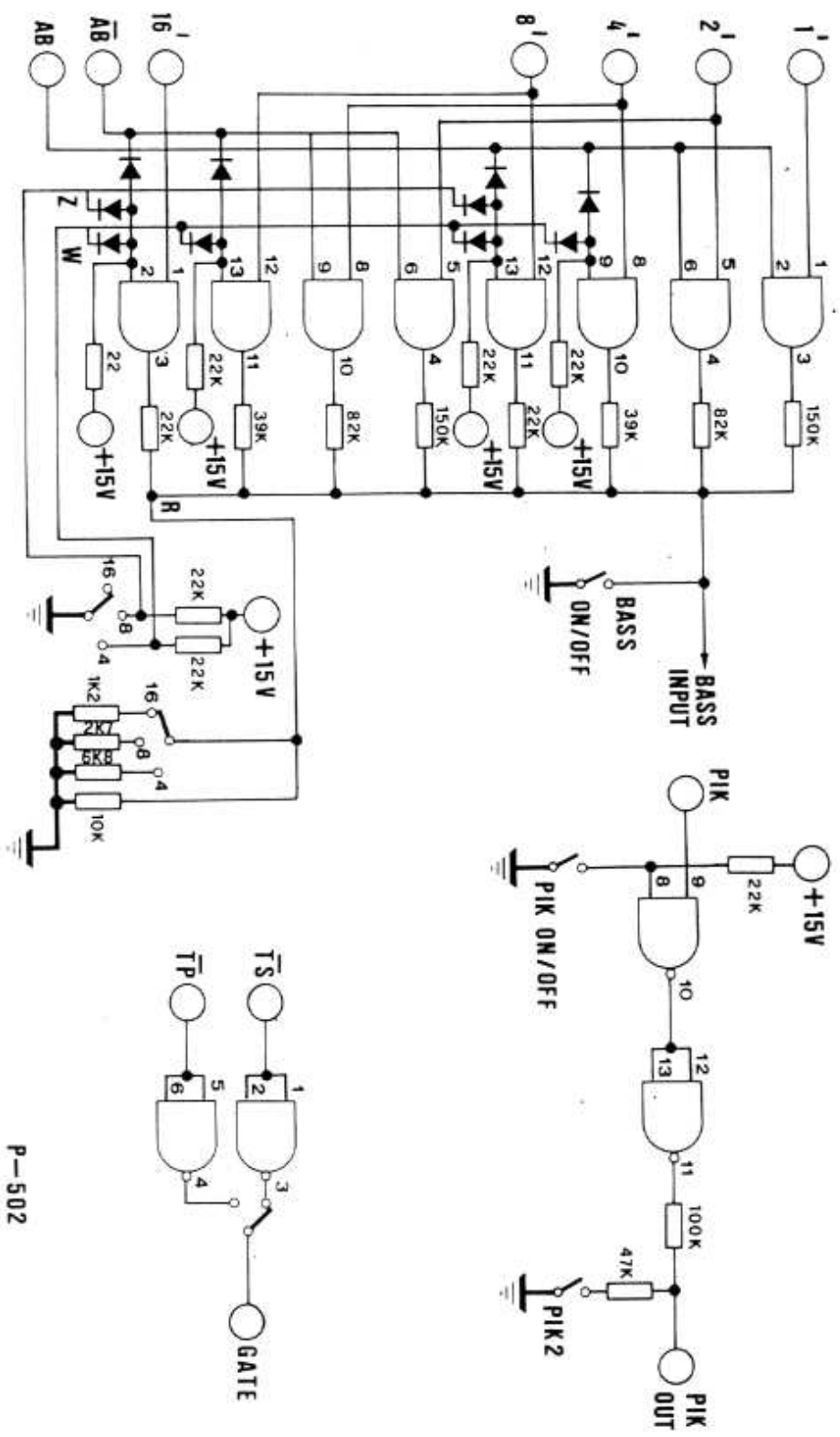
P-493

MODEL	T1	REVISION	
DATE	DRAWN BY <i>Rola</i>	DESIGNED BY <i>R. Rovini</i>	DATE

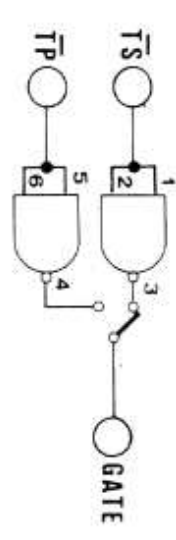
DWG7



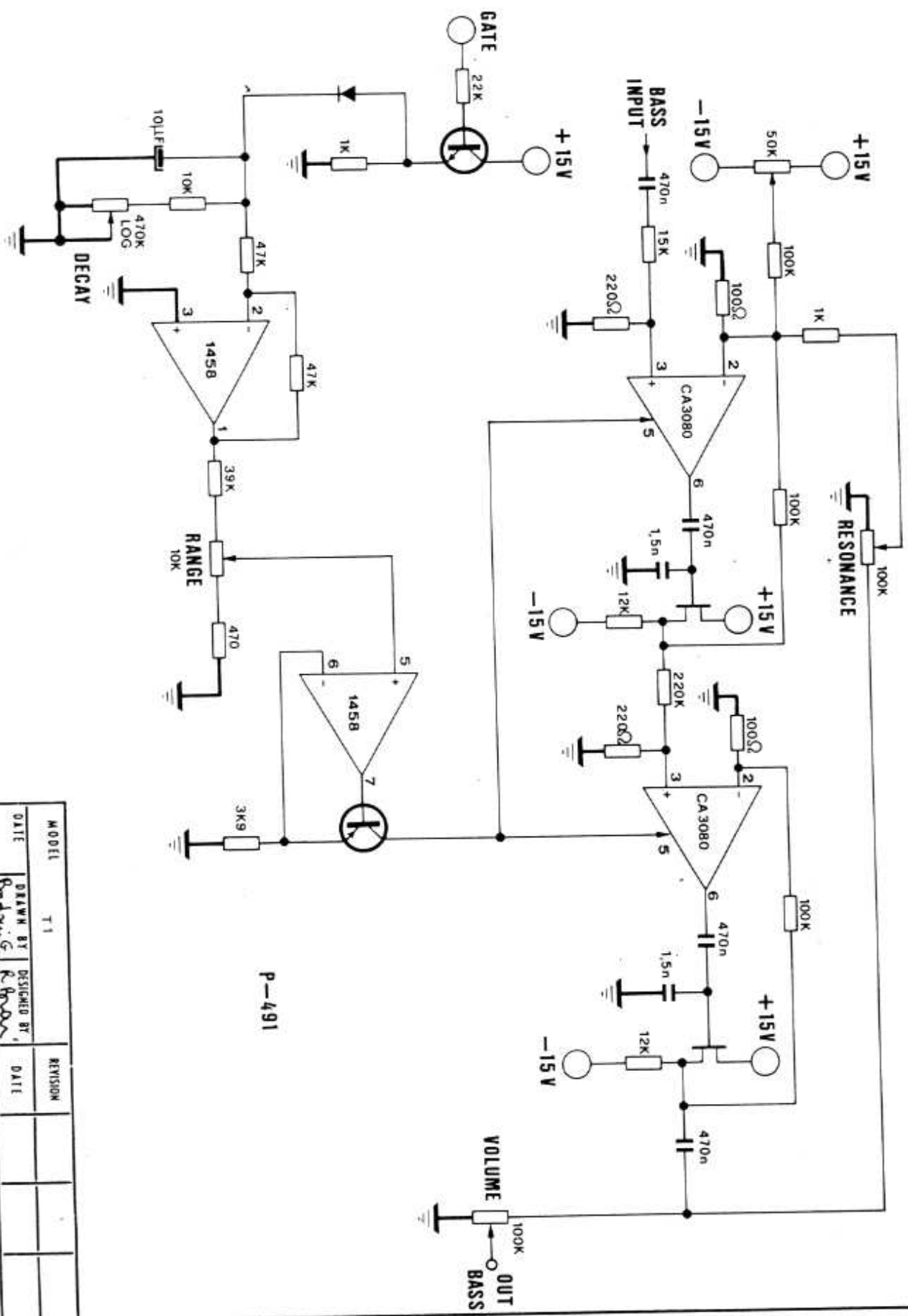




P-502

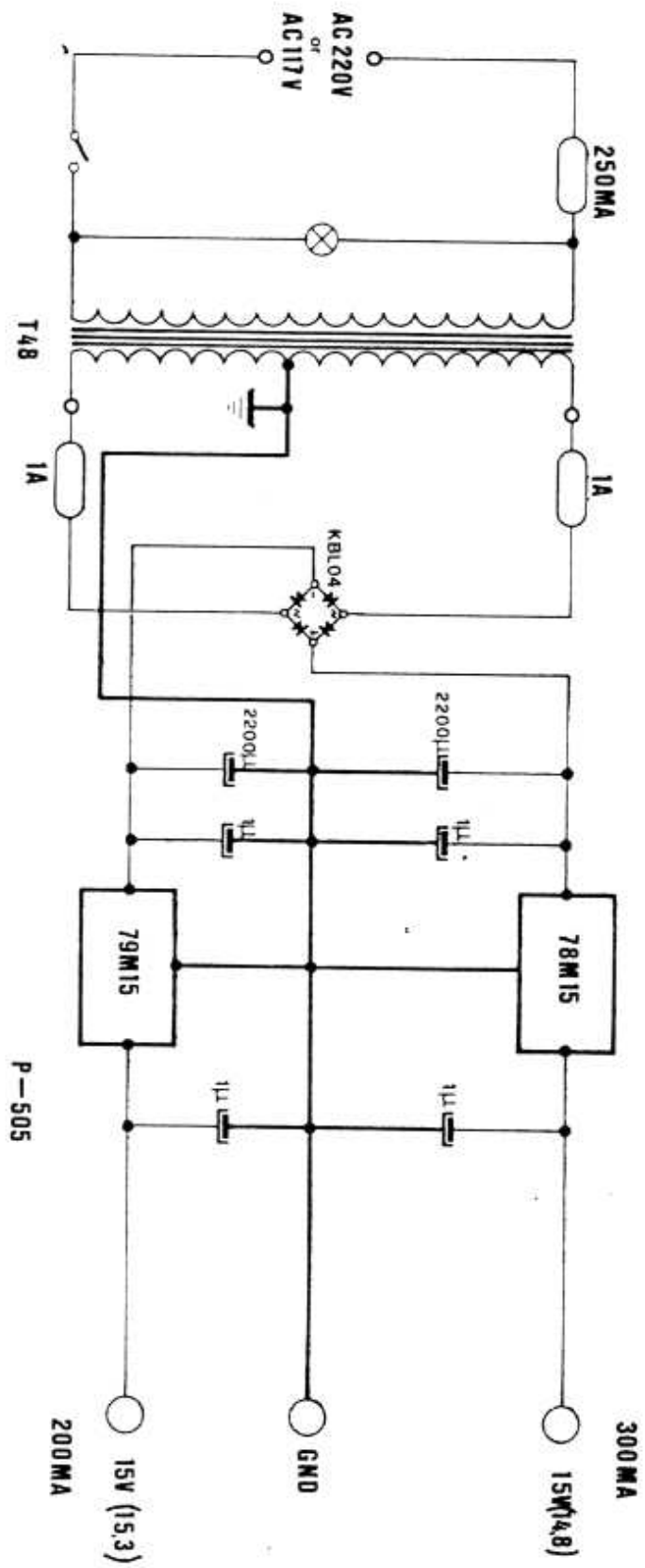


MODEL T1		REVISION	
DATE	DRAWN BY <i>Richard G. R. Brown</i>	DATE	
	DESIGNED BY		



P-491

MODEL	T-1	REVISION
DATE	DRAWN BY <i>Randall G. R. Brown</i>	DESIGNED BY
		DATE



P-505

MODEL	REVISION
T1	
DATE	DESIGNED BY
1/20/64	R. H. HAN
	DATE

DWG 11

PITCH BENDING

GEN. VOLUME

MODULATION RANGE

RATE

VIBRATO

TREMLO

PRESETS

DRAWBARS

PERCUSSION

PERCUSSION VOL. DECAY

PERC. SUST.

MODE

FOOTAGE

DECAY

RANGE

RESONANCE

VOLUME

BASS

MODEL	11	REVISION	
TITLE	CONTROL SYSTEMS	DATE	
	Revised		